



US00D974855S

(12) **United States Design Patent**  
**Xu**

(10) **Patent No.:** **US D974,855 S**

(45) **Date of Patent:** **\*\* Jan. 10, 2023**

(54) **LUNCH BOX**

(71) Applicant: **Dongguan Oumeng Houseware Products Co., Ltd, Dongguan (CN)**

(72) Inventor: **Jingsheng Xu, Yueyang (CN)**

(73) Assignee: **DONGGUAN OUMENG HOUSEWARE PRODUCTS CO., LTD, Dongguan (CN)**

(\*\*) Term: **15 Years**

(21) Appl. No.: **29/735,616**

(22) Filed: **May 22, 2020**

(51) **LOC (14) Cl.** ..... **09-07**

(52) **U.S. Cl.**  
USPC ..... **D7/629; D7/555; D7/701**

(58) **Field of Classification Search**  
USPC ..... D7/391, 538, 541, 542, 546, 550.01, D7/551.1, 551.2, 551.3, 553.1, 553.2, D7/553.3, 553.4, 553.5, 553.7, 553.8, D7/554, 554.1, 601, 629, 630, 703, 709; D9/420, 425, 426, 429, 432, 761, 737; D3/294

CPC . A45C 11/20; A47J 47/14; B65D 1/36; B65D 25/04; B65D 21/0206; B65D 2543/00175; B65D 1/34; B65D 43/162; B65D 43/0218; B65D 43/0212; B65D 77/2024

See application file for complete search history.

(56) **References Cited**

**U.S. PATENT DOCUMENTS**

D132,425 S \* 5/1942 Erickson ..... D7/553.5  
D280,060 S \* 8/1985 Holzkopf ..... D7/553.2  
D283,666 S \* 5/1986 Holzkopf ..... D9/425  
D284,341 S \* 6/1986 Zajac ..... D7/553.2  
D350,880 S \* 9/1994 VanValkenburg ..... D9/425  
D352,202 S \* 11/1994 Campbell ..... D7/546  
5,419,451 A \* 5/1995 Bitel, Jr. .... B65D 43/0212  
206/508

D440,118 S \* 4/2001 Claffy ..... D7/553.1  
6,471,084 B2 \* 10/2002 Erb ..... B65D 77/2024  
220/359.4  
D586,623 S \* 2/2009 Dunn ..... D7/541  
D597,831 S \* 8/2009 Clark ..... D9/425  
(Continued)

**FOREIGN PATENT DOCUMENTS**

EM 007962196-0001 \* 6/2020  
GB 9007962196-0001 \* 5/2020

**OTHER PUBLICATIONS**

[Bentgo Kids Stainless Steel Leak-Resistant Lunch Box], available in Amazon.com, date first available Aug. 7, 2020 [online], [site visited Oct. 11, 2022], Available from the internet URL: <https://www.amazon.com/Bentgo-Stainless-Steel-Leak-Resistant-Lunch/dp/B08FF69BV3?th=1> (Year: 2020).\*

(Continued)

*Primary Examiner* — Jae Liang  
*Assistant Examiner* — Ji Sun Yoon  
(74) *Attorney, Agent, or Firm* — Wayne IP LLC

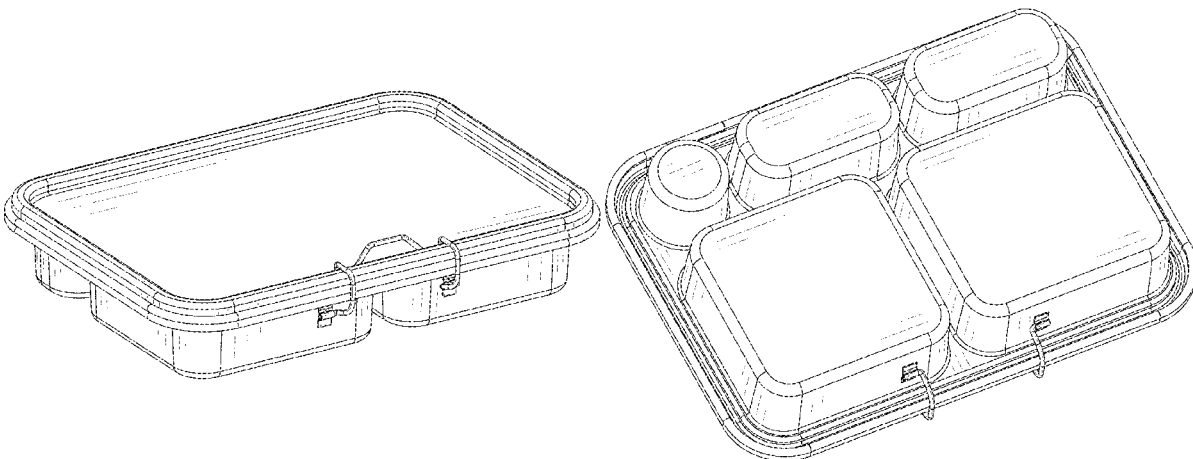
(57) **CLAIM**

The ornamental design for a lunch box, as shown and described.

**DESCRIPTION**

FIG. 1 is a perspective view of a lunch box showing my new design;  
FIG. 2 is another perspective view thereof;  
FIG. 3 is a front elevation view thereof;  
FIG. 4 is a back elevation view thereof;  
FIG. 5 is a left side view thereof;  
FIG. 6 is a right side view thereof;  
FIG. 7 is a top plan view thereof; and,  
FIG. 8 is a bottom plan view thereof.

**1 Claim, 8 Drawing Sheets**



(56)

**References Cited**

## U.S. PATENT DOCUMENTS

D655,988	S *	3/2012	Miros	.....	D7/629
D665,677	S *	8/2012	Wu	.....	D9/761
D676,285	S *	2/2013	Shirley	.....	D7/629
D695,575	S *	12/2013	Katz	.....	D7/629
D763,706	S *	8/2016	Shum	.....	D9/737
D816,415	S *	5/2018	Li	.....	D7/542
D830,202	S *	10/2018	Buck	.....	D9/761
D830,796	S *	10/2018	Chen	.....	D7/703
D911,777	S *	3/2021	Spence	.....	D7/629
D957,215	S *	7/2022	Goldberg	.....	D7/703
D963,436	S *	9/2022	Chen	.....	D7/703
D964,808	S *	9/2022	Xu	.....	D7/541
2002/0108955	A1 *	8/2002	Erb	.....	B65D 77/2024 220/359.4
2006/0201950	A1 *	9/2006	Liu	.....	B65D 1/36 220/521

## OTHER PUBLICATIONS

[LuchBots Large Cinco Stainless Steel Lunch Container], available in Amazon.com, date first available May 9, 2019 [online], [site visited Oct. 11, 2022], Available from the internet URL: <https://www.amazon.com/LunchBots-Large-Cinco-Stainless-Container/dp/B07RR27R95?th=1> (Year: 2019).\*

\* cited by examiner

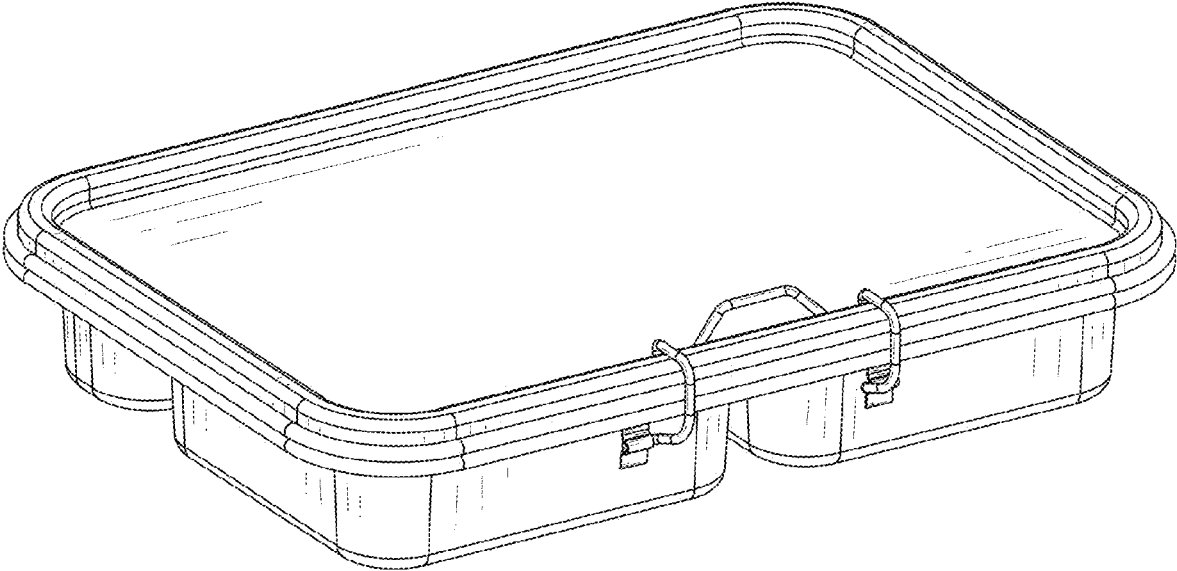


FIG. 1

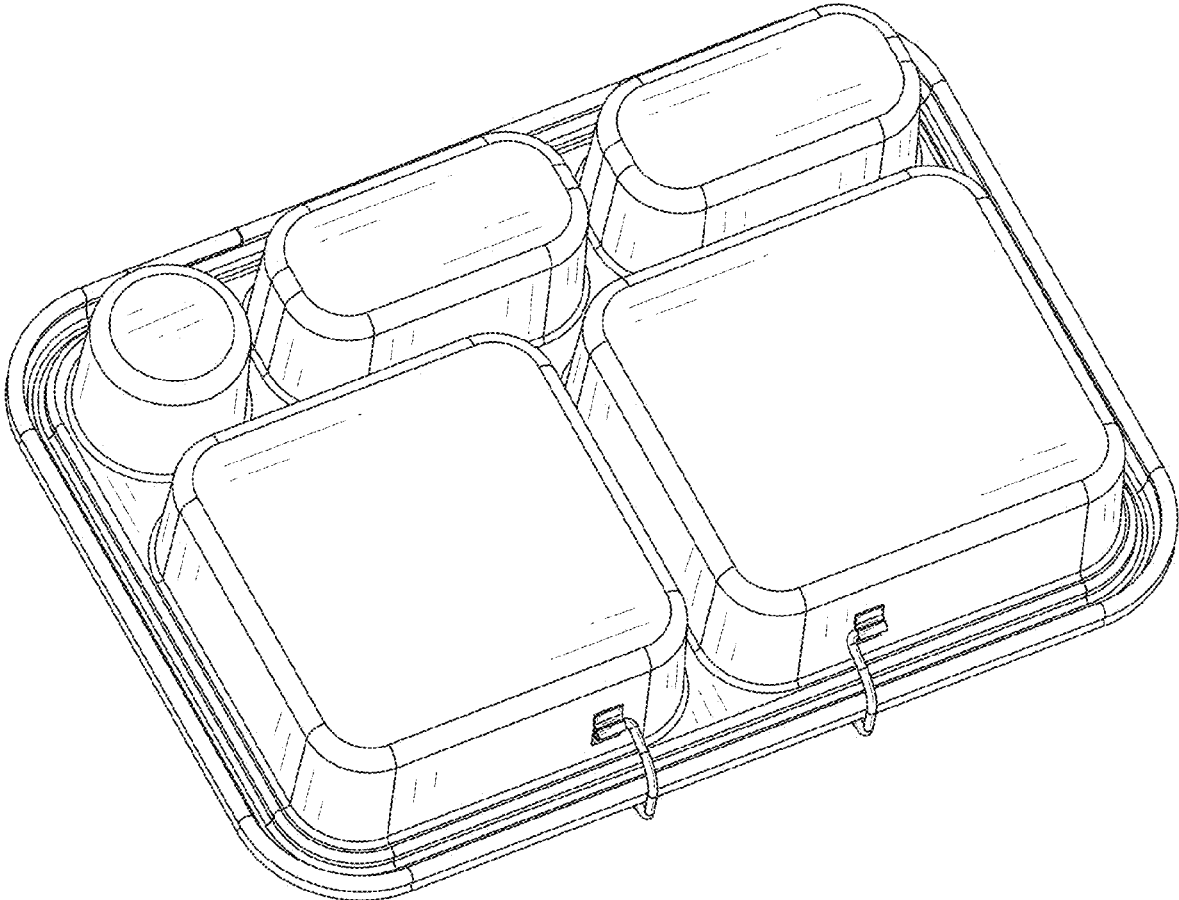


FIG. 2

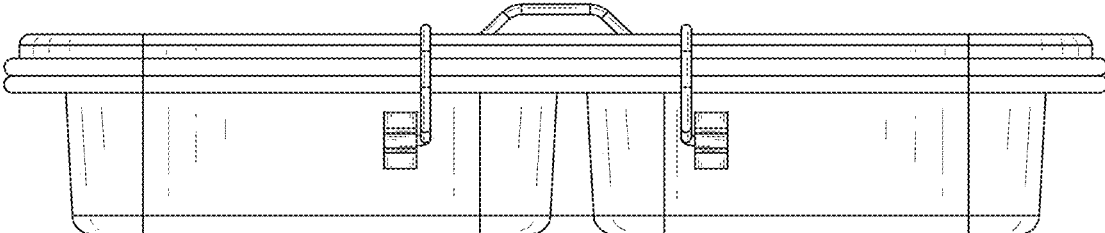


FIG. 3

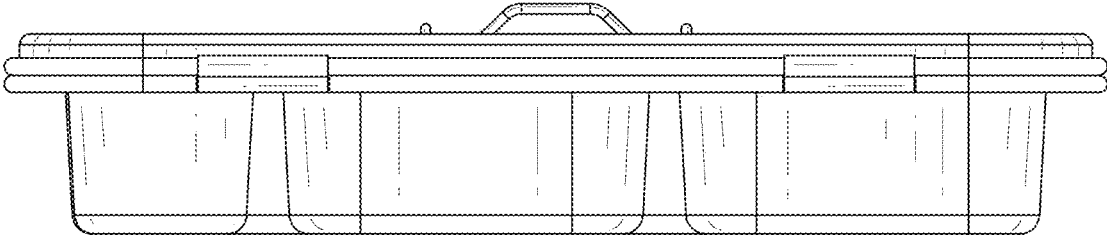


FIG. 4

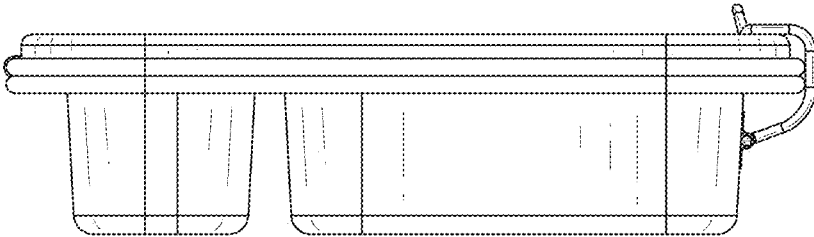


FIG. 5

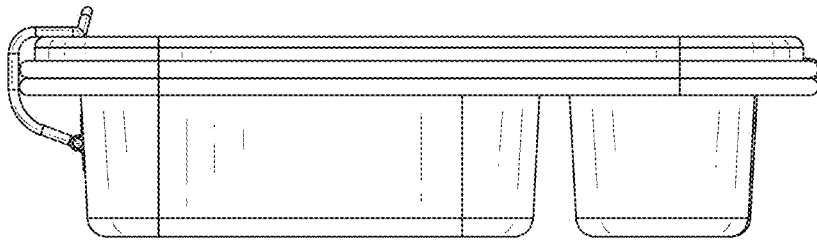


FIG. 6



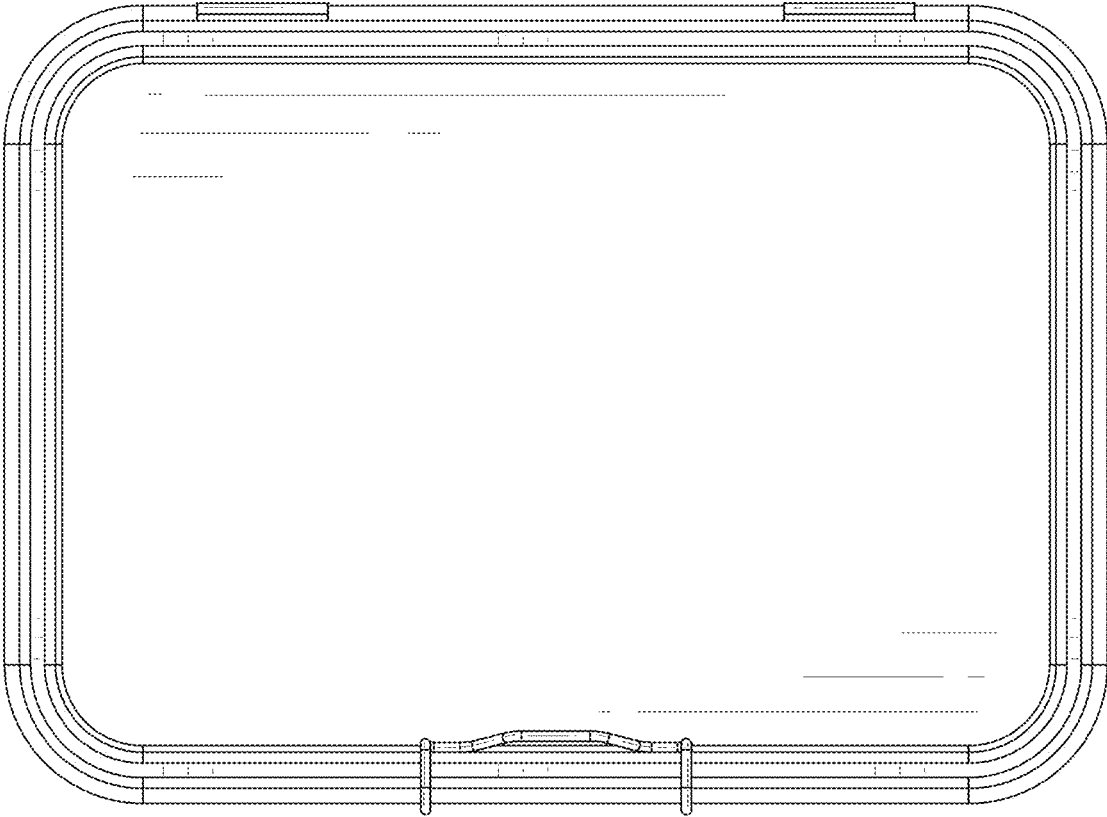


FIG. 7

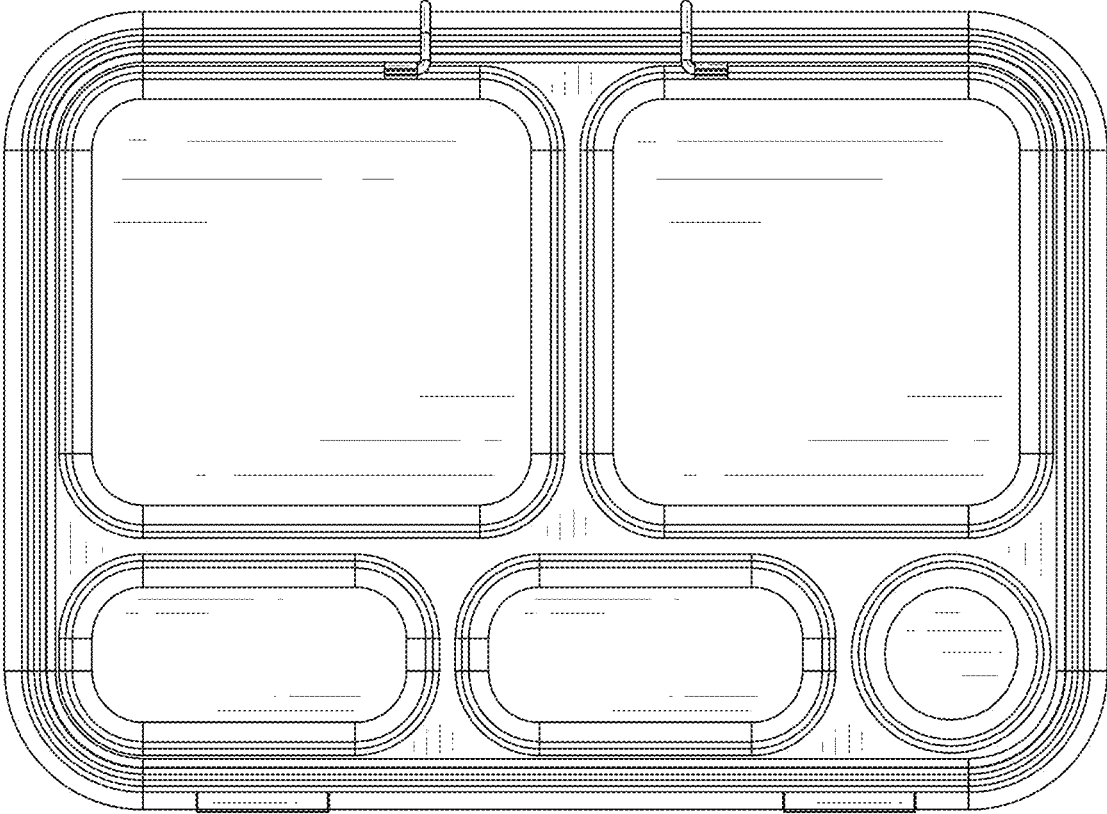


FIG. 8