



US00D340676S

United States Patent [19] Gallagher

[11] Patent Number: Des. 340,676

[45] Date of Patent: ** Oct. 26, 1993

[54] ADJUSTABLE FLAG SUPPORT
[75] Inventor: Gerald S. Gallagher, Lowell, Mass.
[73] Assignee: Admiral U.S.A. Ent., Inc., Lowell, Mass.
[**] Term: 14 Years
[21] Appl. No.: 780,875

1,475,960 12/1923 Moody 248/514
1,742,481 1/1930 Miller D11/181 X

Primary Examiner—Bernard Ansher
Assistant Examiner—Dominic Simone
Attorney, Agent, or Firm—George M. Medeiros

[57] CLAIM

The ornamental design for an adjustable flag support, as shown and described.

[22] Filed: Oct. 18, 1991
[52] U.S. Cl. D11/182; D11/181
[58] Field of Search D11/181, 182; D8/373;
248/514, 518, 557

DESCRIPTION

FIG. 1 is a top, front, left side perspective view of an adjustable flag support, showing my new design;
FIG. 2 is a top plan view thereof;
FIG. 3 is a left side elevational view thereof;
FIG. 4 is a bottom plan view thereof;
FIG. 5 is a right side elevational view thereof;
FIG. 6 is a front elevational view thereof;
FIG. 7 is a rear elevational view thereof; and,
FIG. 8 is a top, rear, left side perspective view thereof.

[56] References Cited
U.S. PATENT DOCUMENTS
D. 029,051 7/1898 Lake et al. D11/182
778,381 12/1904 Sprague 248/514
1,339,833 5/1920 Saltmarsh et al. 248/514

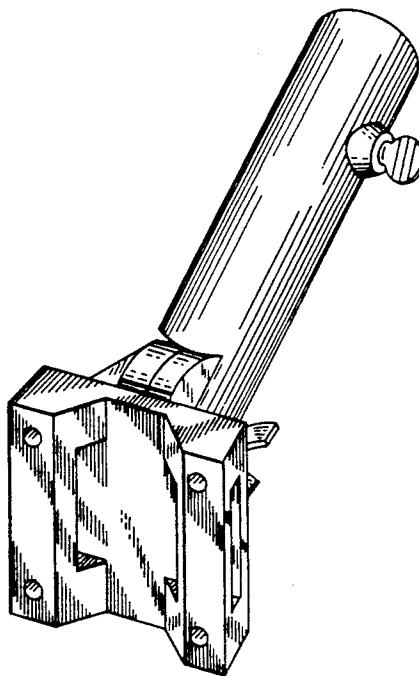
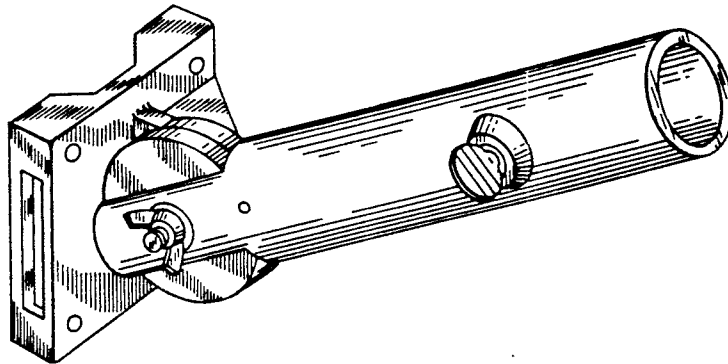


Fig. 1.

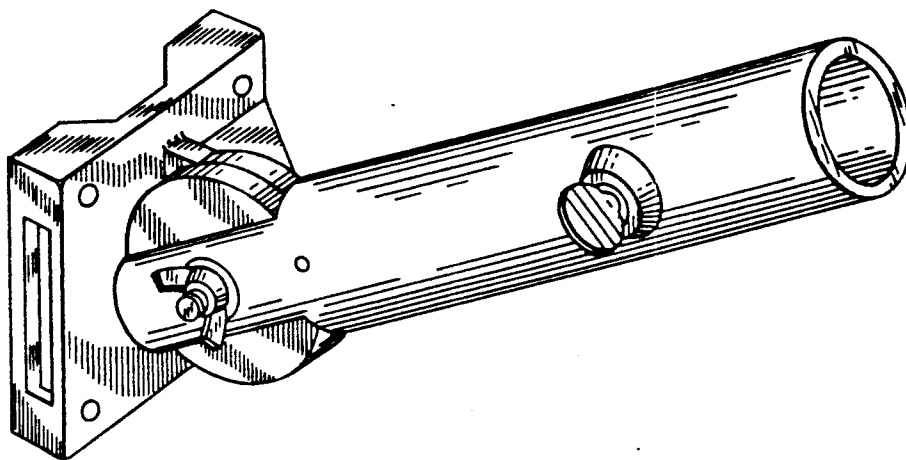


Fig. 2.

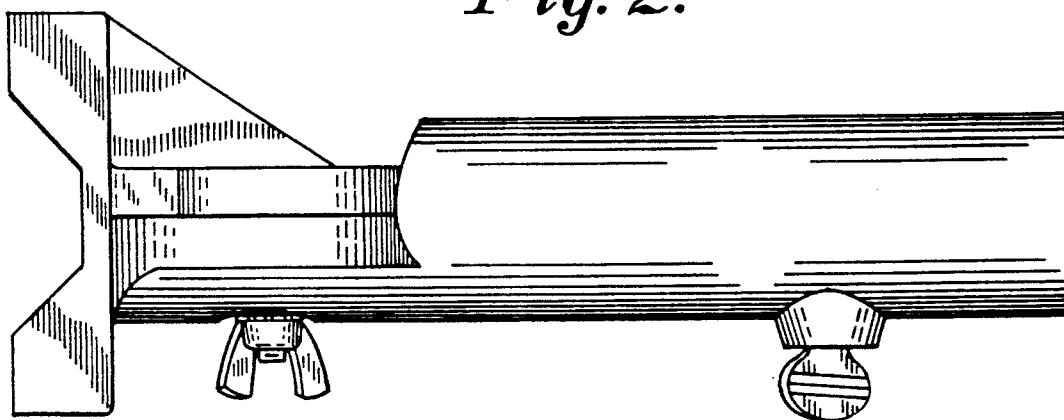
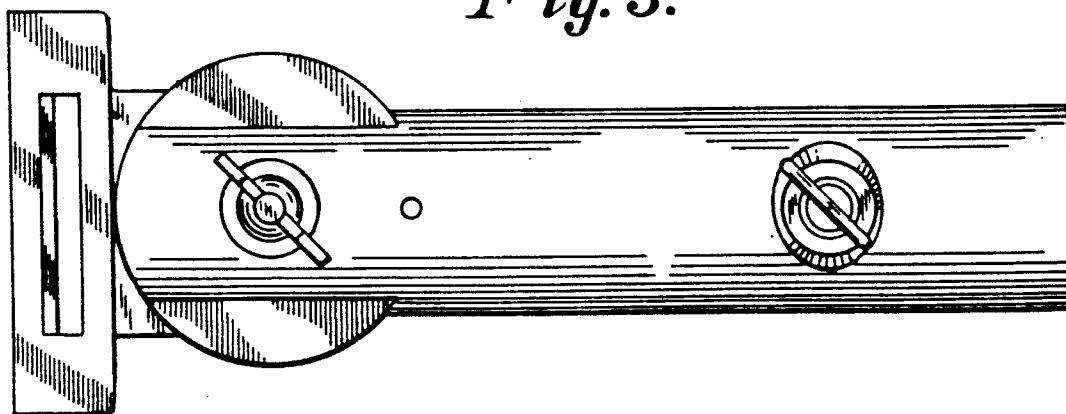


Fig. 3.



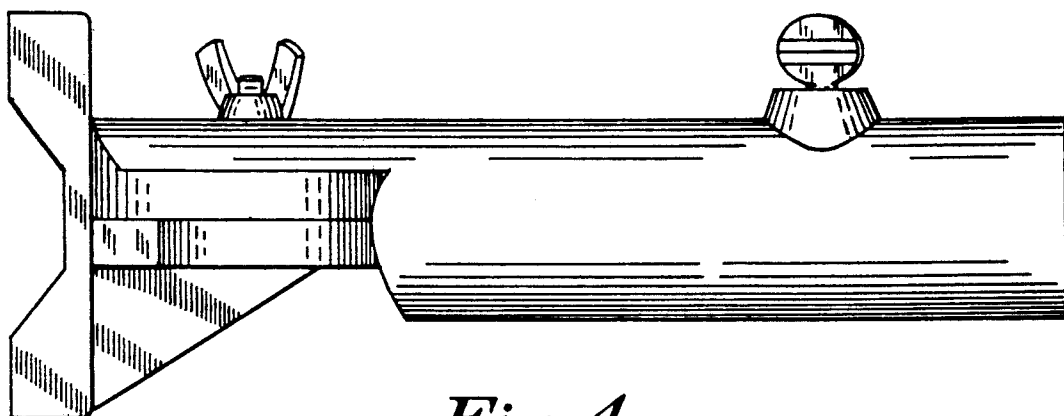


Fig. 4.

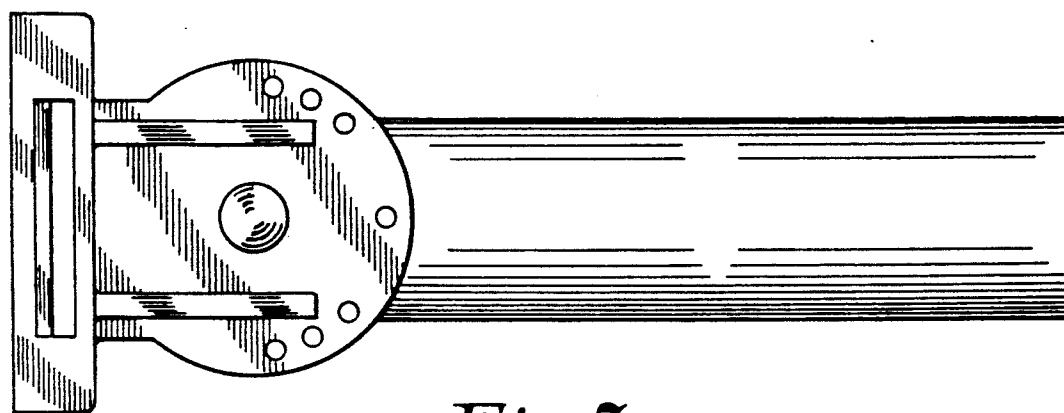


Fig. 5.

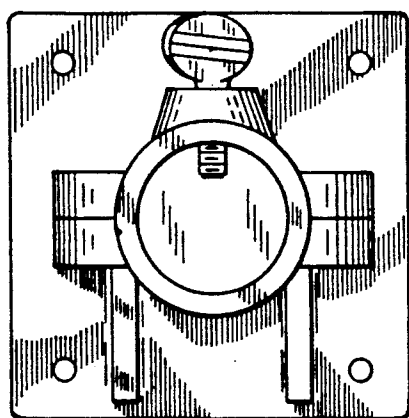


Fig. 6.

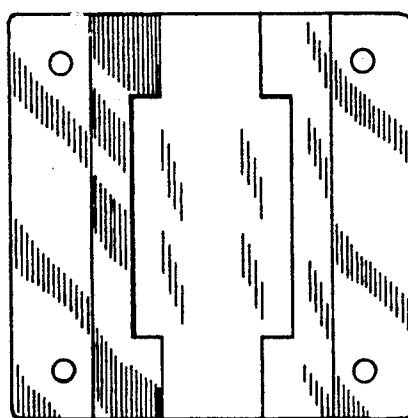


Fig. 7.

Fig. 8.

