



US00D398222S

United States Patent [19] Julien

[11] Patent Number: Des. 398,222

[45] Date of Patent: **Sep. 15, 1998

[54] CORNER BRACKET FOR PLAYARD

5,454,124 10/1995 Huang 5/99.1

[75] Inventor: Christine E. Julien, Reading, Pa.

[73] Assignee: Graco Children's Products Inc.,
Elverson, Pa.

[**] Term: 14 Years

[21] Appl. No.: 67,043

[22] Filed: Feb. 27, 1997

[51] LOC (6) Cl. 08-08

[52] U.S. Cl. D8/382

[58] Field of Search D21/240; D6/331,
D6/390; D8/382, 403; 5/946, 100; 482/35,
36, 37

[56] References Cited

U.S. PATENT DOCUMENTS

D. 246,625	12/1977	Becker, III	D6/391
D. 304,523	11/1989	Dillner et al.	D6/391
D. 317,400	6/1991	Loew	D8/382
4,186,454	2/1980	Cone	5/99 R
4,376,318	3/1983	Cirillo	5/99 C
4,811,437	3/1989	Dillner	5/99 B
4,837,875	6/1989	Shamie et al.	5/99 C
5,197,154	3/1993	Shamie	5/99.1
5,239,714	8/1993	Huang	5/99.1
5,241,716	9/1993	Kohus	5/99.1
5,243,718	9/1993	Shamie	5/99.1
5,279,006	1/1994	Teng	5/99.1
5,339,470	8/1994	Shamie	5/98.1
5,353,451	10/1994	Hsiung	5/99.1
5,358,220	10/1994	Yu-Kuang	256/25
5,363,521	11/1994	Garland et al.	5/99.1
5,367,725	11/1994	Tsai	5/99.1
5,377,368	1/1995	Cheng	5/99.1
5,381,570	1/1995	Cheng	5/99.1
5,446,931	9/1995	Wei	5/98.1

FOREIGN PATENT DOCUMENTS

117642	8/1989	China .
131197	3/1990	China .
160108	6/1991	China .
218462	1/1994	China .
262695	11/1995	China .
267327	1/1996	China .
268253	1/1996	China .

OTHER PUBLICATIONS

Catalog Page, Corner bracket for Playard; Graco Childrens Products Inc., 51 South Pine Street, Elverson, Pennsylvania 19520. Publication date 1992.

Page 34, Corner bracket for Playard; Graco Childrens Products Inc., 51 South Pine Street, Elverson Pennsylvania 19520. Publication date 1996.

Primary Examiner—Ted Shooman
Assistant Examiner—Mitchell I. Siegel
Attorney, Agent, or Firm—Richard B. O'Planick

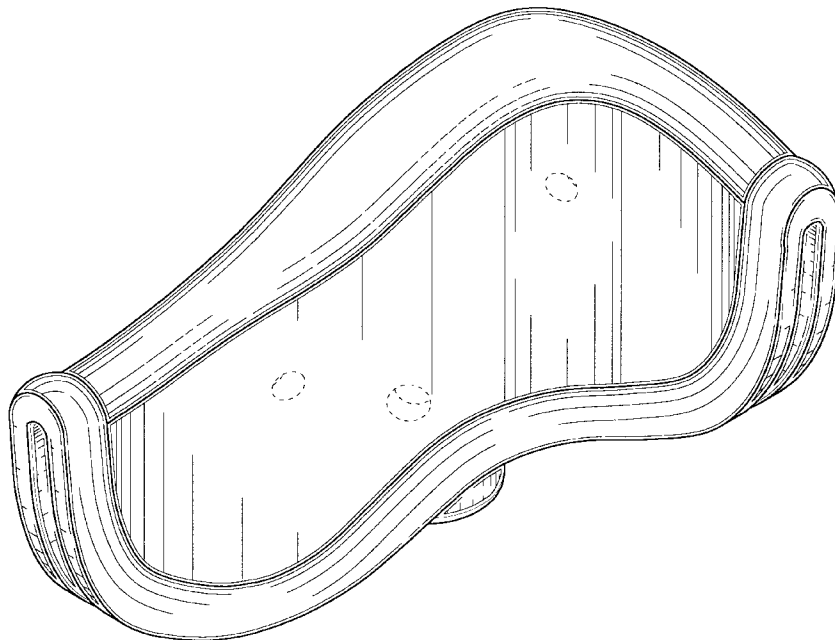
[57] CLAIM

The ornamental design for a corner bracket for playard, as shown and described.

DESCRIPTION

FIG. 1 is a top right front perspective view of a corner bracket for playard showing my new design; FIG. 2 is a left rear elevational view thereof; FIG. 3 is a right side and bottom perspective view thereof; FIG. 4 is a right side elevational view thereof; FIG. 5 is a left side elevational view thereof; FIG. 6 is a top plan view thereof; and, FIG. 7 is a bottom plan view thereof. The broken lines are for illustrative purposes only and form no part of the claimed design.

1 Claim, 7 Drawing Sheets



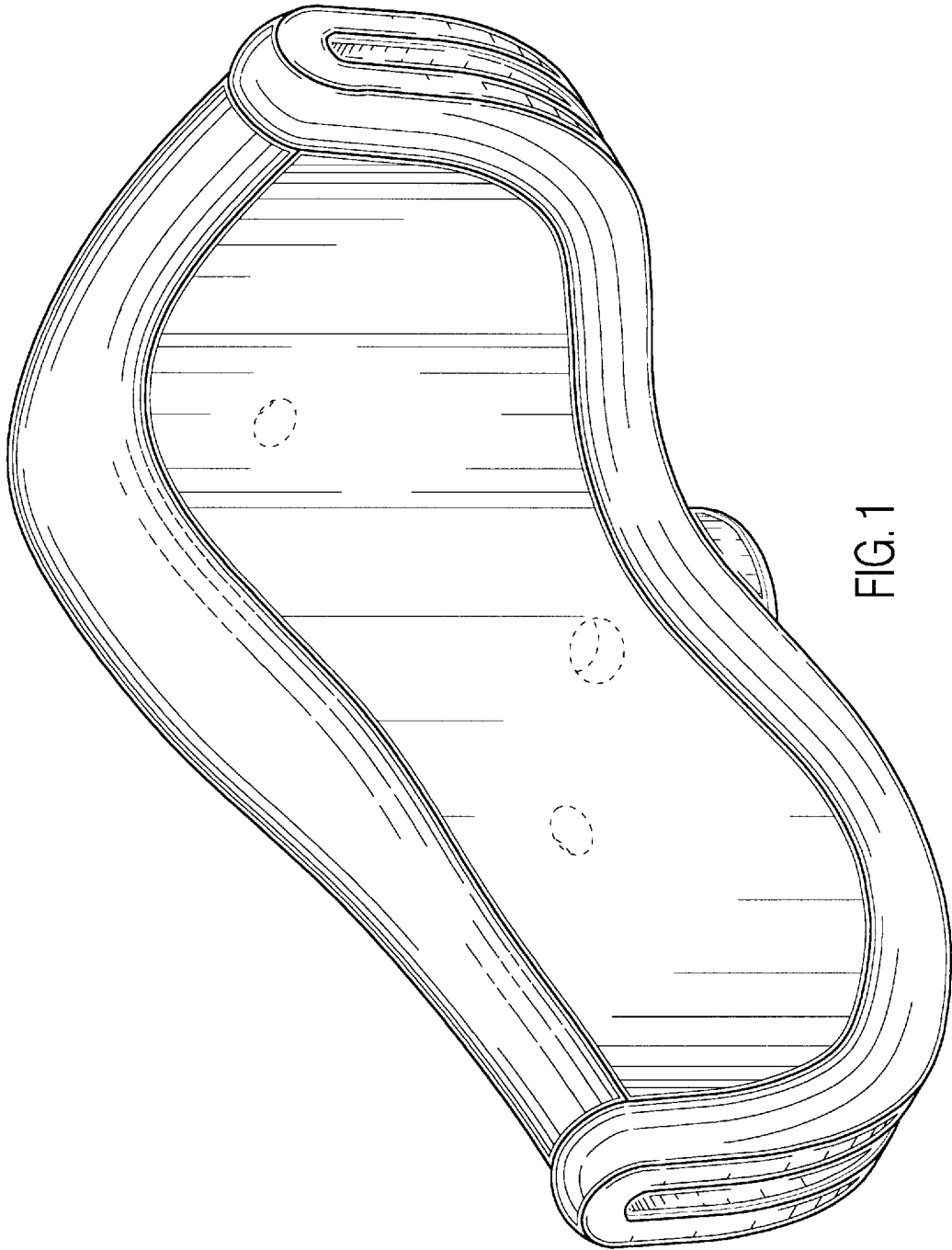


FIG. 1

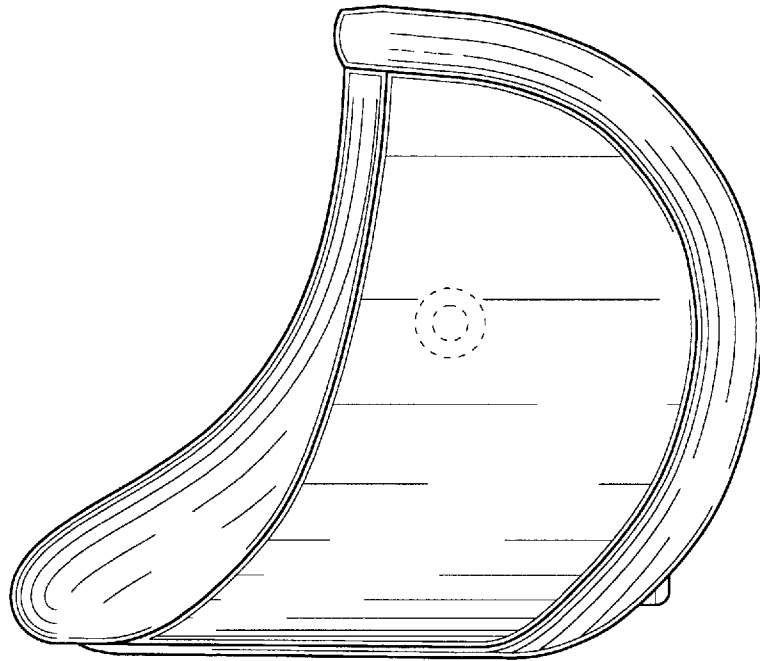


FIG. 2

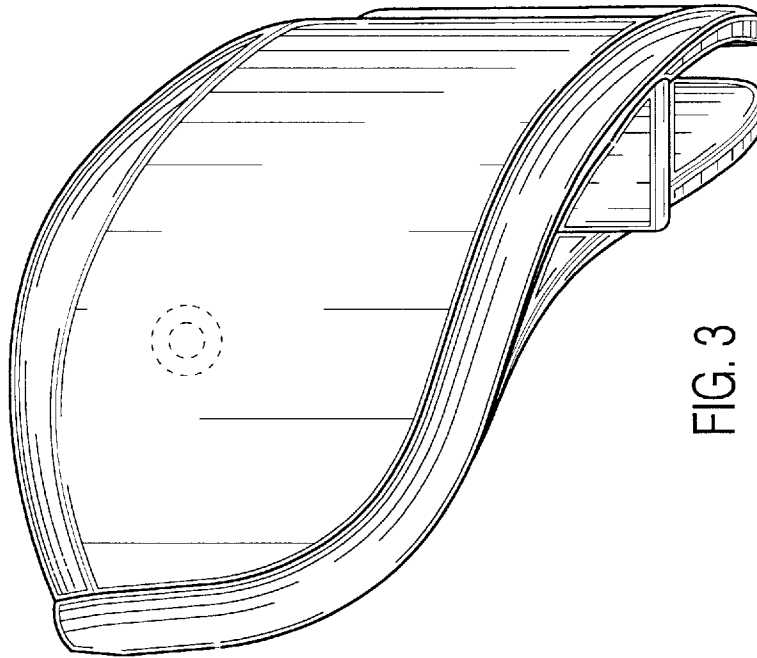


FIG. 3

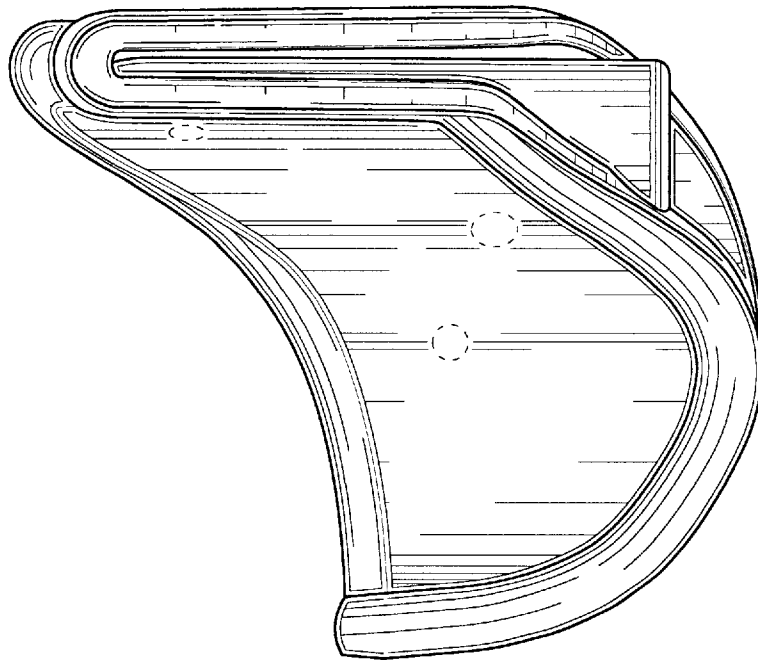


FIG. 4

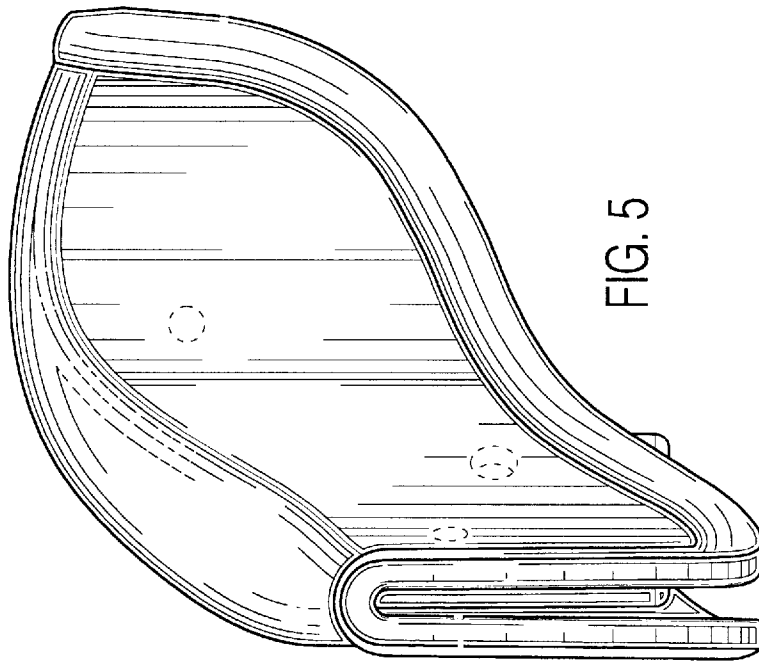


FIG. 5

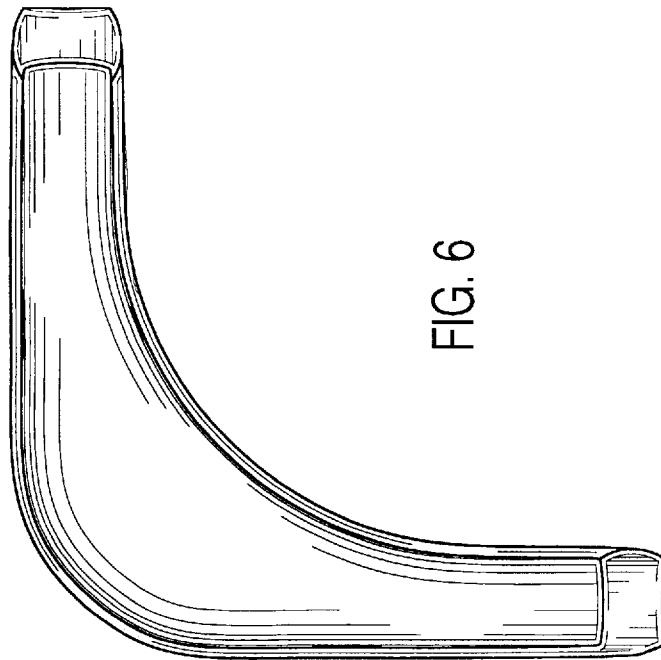


FIG. 6

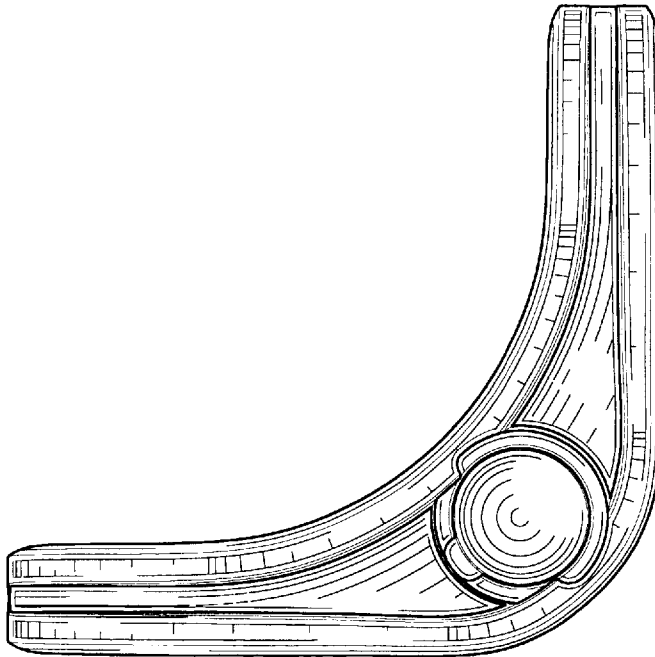


FIG. 7