



(12) **United States Design Patent**
Kang et al.

(10) **Patent No.:** **US D789,628 S**
(45) **Date of Patent:** **** Jun. 13, 2017**

- (54) **DOOR FOR WASHING MACHINE**
- (71) Applicant: **Samsung Electronics Co., Ltd.**,
Suwon-si (KR)
- (72) Inventors: **Yoonjong Kang**, Seoul (KR); **Yuna Park**, Seoul (KR)
- (73) Assignee: **Samsung Electronics Co., Ltd.**,
Suwon-si (KR)

D759,915	S	*	6/2016	Choi	D32/25
D761,506	S	*	7/2016	Choi	D32/25
D762,025	S	*	7/2016	Joo	D32/6
D762,027	S	*	7/2016	Choi	D32/25
D764,120	S	*	8/2016	Choi	D32/6
D771,335	S	*	11/2016	Yoon	D32/25
D772,504	S	*	11/2016	Kang	D32/25
2007/0113595	A1	*	5/2007	Harwood	D06F 33/02 68/12.01
2013/0239626	A1	*	9/2013	Ekbundit	D06F 39/12 68/3 R

(Continued)

(**) Term: **15 Years**

FOREIGN PATENT DOCUMENTS

(21) Appl. No.: **29/552,101**

EM	000459938-0007	6/2008
KR	30-2014-0063064	6/2015

(22) Filed: **Jan. 20, 2016**

Primary Examiner — Michael A. Pratt
Assistant Examiner — Michelle E Wilson
 (74) *Attorney, Agent, or Firm* — NSIP Law

(30) **Foreign Application Priority Data**

Jul. 21, 2015 (KR) 30-2015-0036773

(51) **LOC (10) Cl.** **15-05**

(52) **U.S. Cl.**
USPC **D32/25**

(58) **Field of Classification Search**
 USPC D32/1, 5, 6, 8, 10, 25, 28
 CPC D06F 3/02; D06F 2204/065; D06F 25/00;
 D06F 35/006; D06F 37/28; D06F 39/14;
 D06F 58/00; D06F 58/02; D06F 58/04;
 D06F 58/20; D06F 23/04; G05B 19/042
 See application file for complete search history.

(57) **CLAIM**

We claim the ornamental design for a door for washing machine, as shown and described.

DESCRIPTION

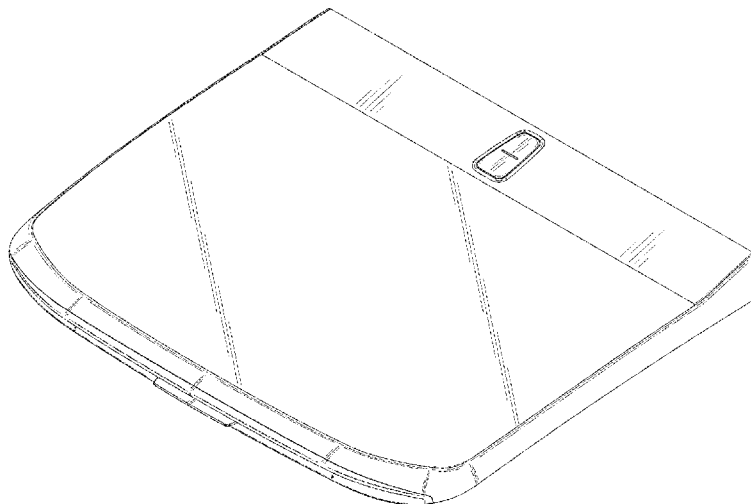
FIG. 1 is a front perspective view of a door for washing machine showing our new design;
 FIG. 2 is a front view thereof;
 FIG. 3 is a rear view thereof;
 FIG. 4 is a left-side view thereof;
 FIG. 5 is a right-side view thereof;
 FIG. 6 is a top view thereof;
 FIG. 7 is a bottom view thereof;
 FIG. 8 is a rear perspective view thereof; and,
 FIG. 9 is another front perspective view of the door for washing machine in which a washing machine is provided in broken lines to illustrate an example environment.
 The broken lines in the figures show portions of the door for washing machine which form no part of the claimed design.

(56) **References Cited**

U.S. PATENT DOCUMENTS

D489,496	S	5/2004	Sneddon	
D620,656	S	* 7/2010	Bixby D32/25
D697,680	S	* 1/2014	Hwang D32/25
D709,657	S	* 7/2014	Shin D32/25
D711,605	S	* 8/2014	Jo D32/25
D729,995	S	* 5/2015	Song D32/6
D730,594	S	* 5/2015	Kang D32/6
D744,177	S	* 11/2015	Jung D32/6

1 Claim, 9 Drawing Sheets



(56)

References Cited

U.S. PATENT DOCUMENTS

2015/0345069 A1* 12/2015 Leibman D06F 39/022
68/17 R

* cited by examiner

FIG. 1

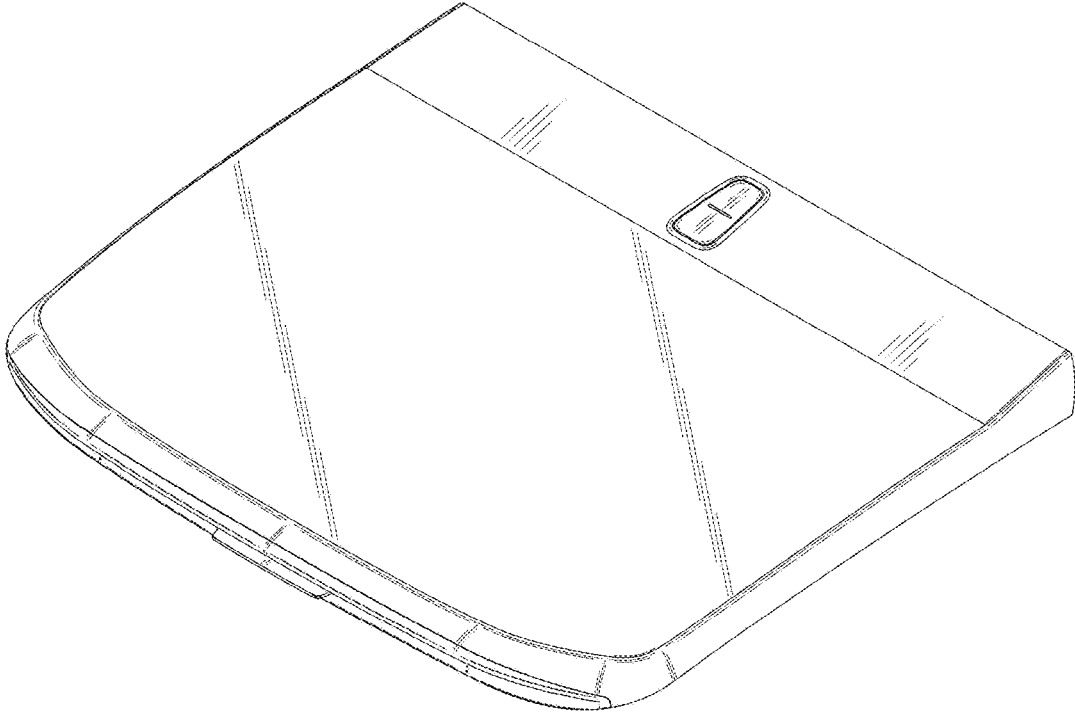


FIG. 2

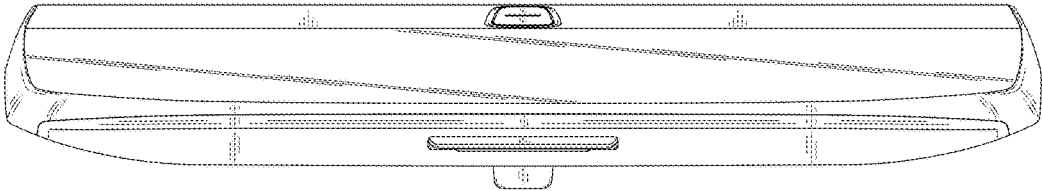


FIG. 3

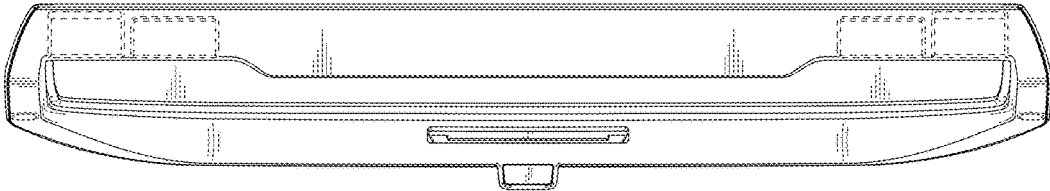


FIG. 4

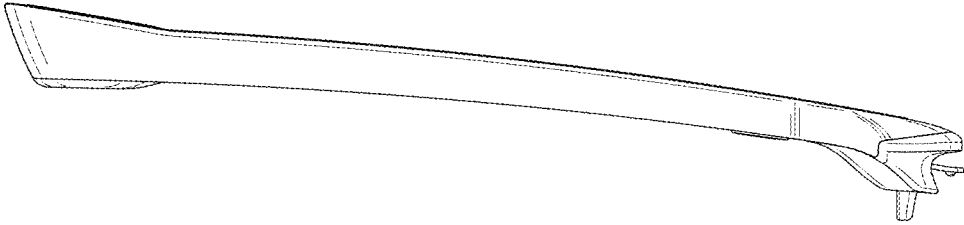


FIG. 5

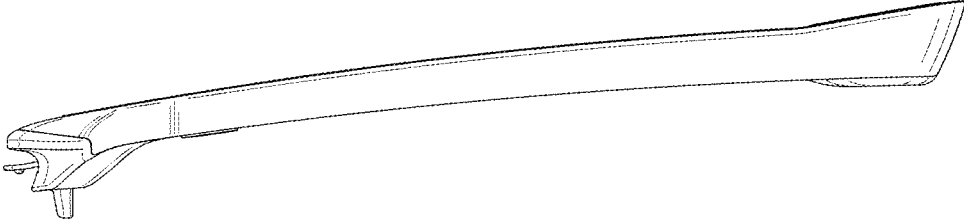


FIG. 6

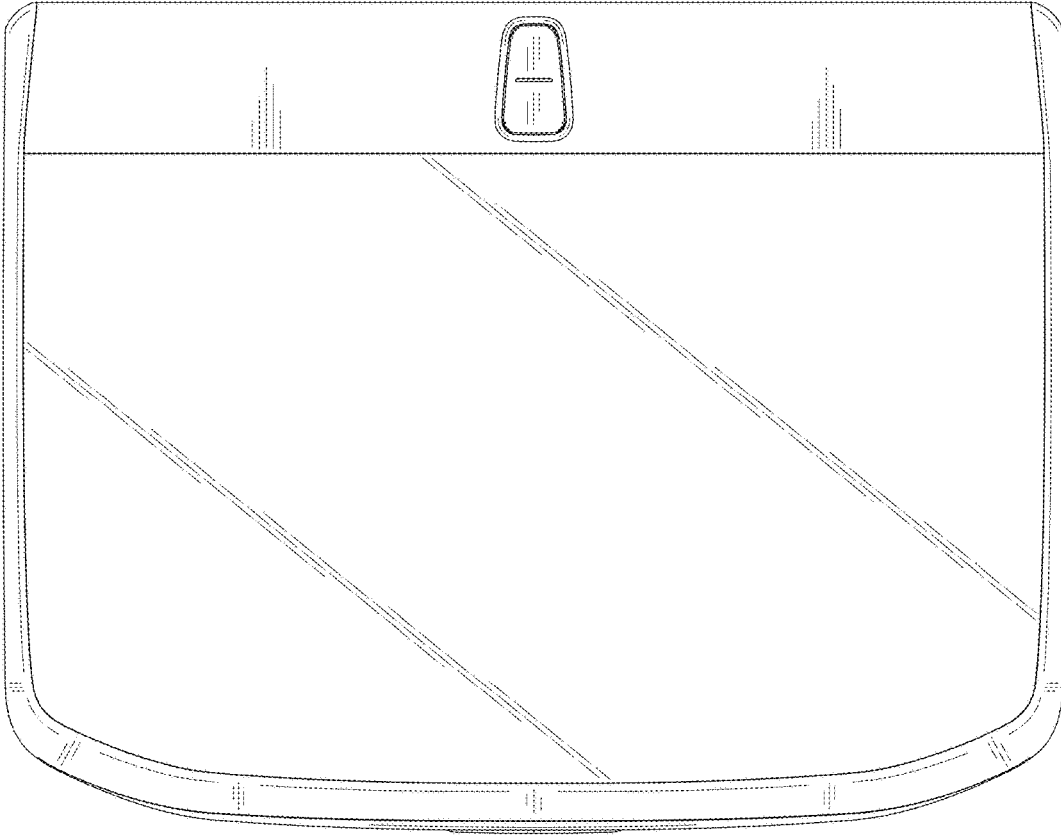


FIG. 7

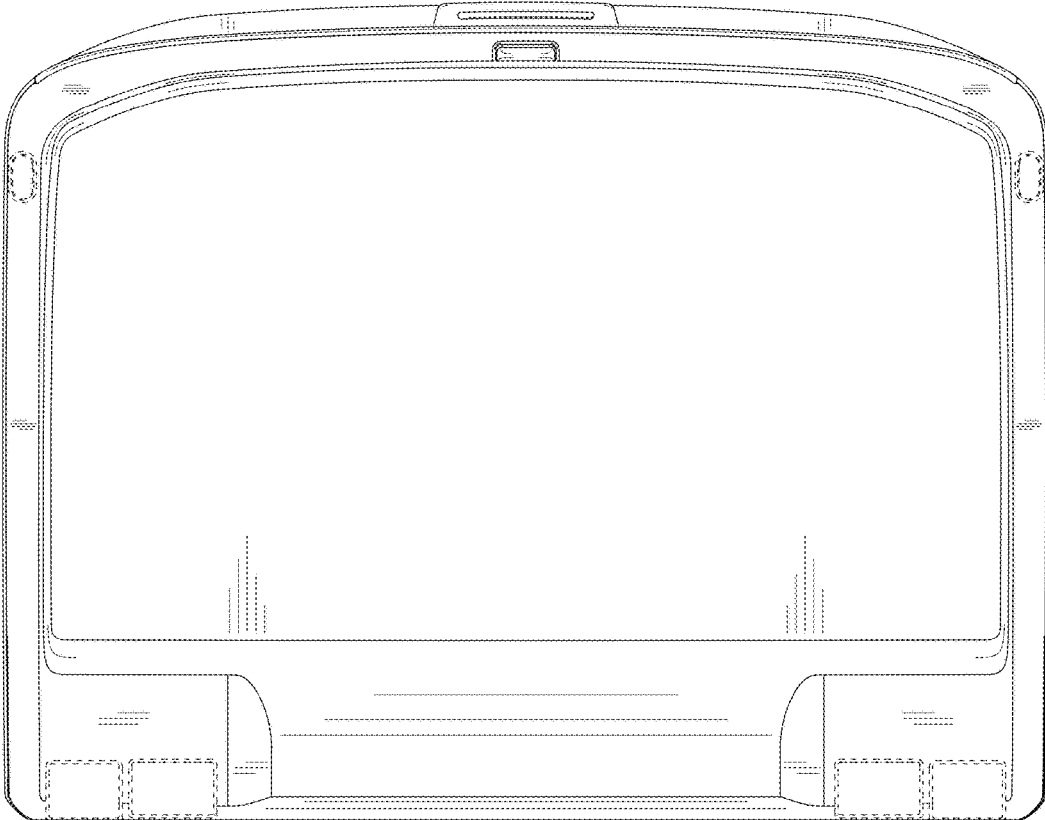


FIG. 8

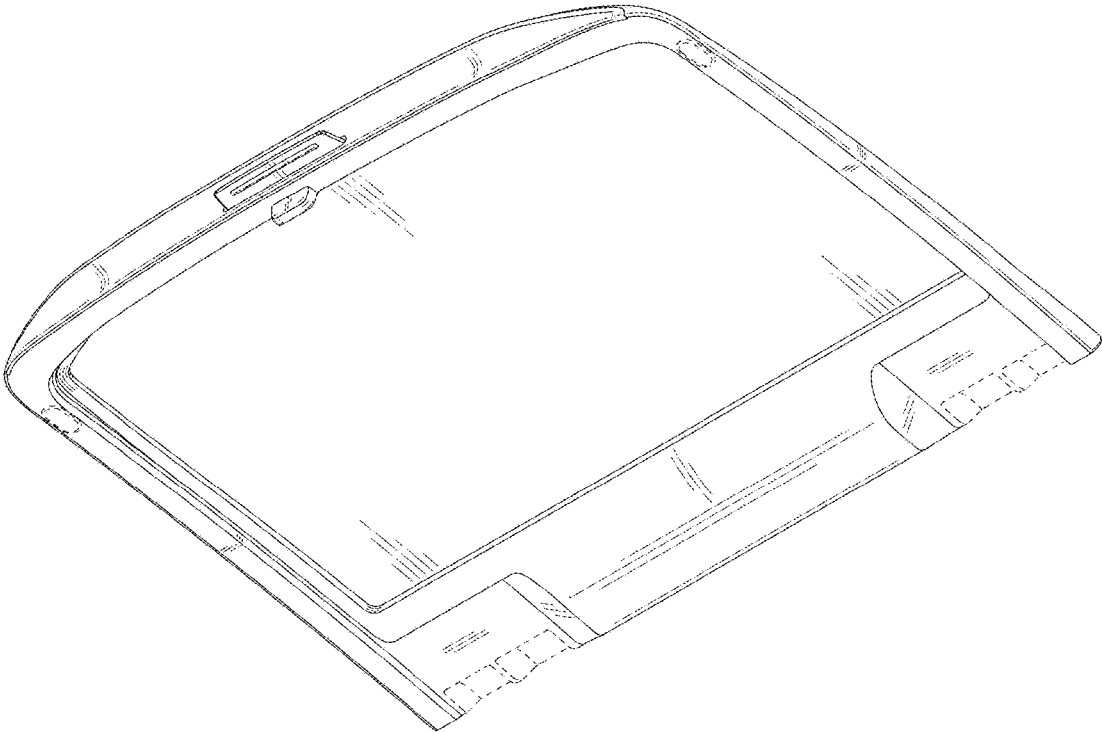


FIG. 9

