



US00D381297S

United States Patent [19]

[11] Patent Number: **Des. 381,297**

Eyman et al.

[45] Date of Patent: ****Jul. 22, 1997**

[54] **SIX WHEEL STROLLER**

[75] Inventors: **David Eyman**, Cincinnati, Ohio;
Thomas J. Schmidlin, Newport, Ky.

[73] Assignee: **TRI Industries, Inc.**, Bloomington,
Minn.

[**] Term: **14 Years**

[21] Appl. No.: **41,571**

[22] Filed: **Jul. 18, 1995**

[51] **LOC (6) Cl.** **12-12**

[52] **U.S. Cl.** **D12/129**

[58] **Field of Search** **D12/129; 280/650,**
280/642, 643, 644, 647, 648, 649, 30

[56] **References Cited**

U.S. PATENT DOCUMENTS

- D. 204,254 4/1966 Cerf .
- D. 206,116 11/1966 Hughes .
- D. 274,714 7/1984 Cone .
- D. 290,825 7/1987 Mathies et al. .
- D. 297,525 9/1988 Baechler .
- D. 301,850 6/1989 Clement et al. .
- D. 315,885 4/1991 Jacobs .
- D. 362,832 10/1995 Haut et al. D12/129
- D. 363,260 10/1995 Huang D12/129
- D. 370,438 6/1996 Haut et al. D12/129
- 699,186 5/1902 Katzke .
- 716,972 12/1902 Whitmore et al. .
- 2,425,688 8/1947 Schulte .
- 2,455,119 11/1948 Hall .
- 2,781,225 2/1957 Heideman .
- 3,052,480 9/1962 Sanstrom .
- 3,110,504 11/1963 Myers .
- 3,305,244 2/1967 Flagg .
- 3,403,744 10/1968 Dinkel .
- 3,575,461 4/1971 Goldman et al. .
- 3,605,929 9/1971 Rolland .
- 3,656,777 4/1972 Keiser, Jr. .
- 3,698,502 10/1972 Patin .
- 3,712,636 1/1973 Gesslein .
- 3,781,031 12/1973 Patin .
- 3,848,890 11/1974 MacAlpine .
- 3,873,116 3/1975 Perego .
- 3,877,723 4/1975 Fabey et al. .

- 3,909,043 9/1975 Black .
- 4,029,329 6/1977 Chambers .
- 4,064,957 12/1977 Parham .
- 4,072,318 2/1978 Laune .
- 4,166,630 9/1979 Sullivan et al. .
- 4,181,317 1/1980 Toda .
- 4,325,449 4/1982 D'Addio et al. .
- 4,335,900 6/1982 Fleischer .
- 4,346,912 8/1982 Habib .
- 4,353,567 10/1982 Weldy .
- 4,361,338 11/1982 Kuchenbecker et al. .
- 4,369,987 1/1983 Witherell .
- 4,373,740 2/1983 Hendrix .

(List continued on next page.)

FOREIGN PATENT DOCUMENTS

- 2579544 10/1986 France .
- 213538 9/1909 Germany .
- 2348716 7/1974 Germany .
- 2741543 6/1978 Germany .
- 3435575 4/1986 Germany .
- 851163 10/1960 United Kingdom .
- 2099765 12/1982 United Kingdom .
- 2204282 11/1988 United Kingdom .

OTHER PUBLICATIONS

Cannondale Bicycle Trailer Seat 280/284 Oct. 10, 1990.

Primary Examiner—Kay H. Chin

Attorney, Agent, or Firm—Palmatier, Sjoquist, Helget & Voigt, P.A.

[57] **CLAIM**

The ornamental design for a six wheel stroller, as shown and described.

DESCRIPTION

FIG. 1 is a perspective view of a six wheel stroller showing our new design;

FIG. 2 is a side elevational view with the opposite side being a mirror image;

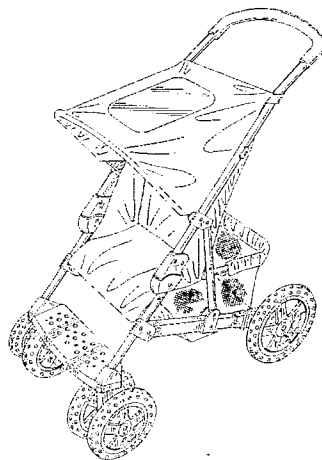
FIG. 3 is a front elevational view;

FIG. 4 is a rear elevational view;

FIG. 5 is a top plan view; and

FIG. 6 is a bottom plan view.

1 Claim, 6 Drawing Sheets



U.S. PATENT DOCUMENTS

4,403,673	9/1983	Ball .	4,993,743	2/1991	Takahashi et al. .
4,408,776	10/1983	Randolph et al. .	5,029,891	7/1991	Jacobs .
4,422,663	12/1983	Hon .	5,039,120	8/1991	Stowe .
4,526,390	7/1985	Skolnik .	5,076,599	12/1991	Lockett et al. .
4,542,915	9/1985	Wheeler, III et al. .	5,087,066	2/1992	Mong-Hsing .
4,586,721	5/1986	Harada et al. .	5,123,670	6/1992	Chen .
4,606,550	8/1986	Cone .	5,176,395	1/1993	Garforth-Bles .
4,618,184	10/1986	Harvey .	5,205,577	4/1993	Liu .
4,632,420	12/1986	Miyagi .	5,207,439	5/1993	Mortenson .
4,741,551	5/1988	Perego .	5,257,799	11/1993	Cone et al. .
4,756,541	7/1988	Albitre .	5,259,634	11/1993	Berner et al. .
4,828,278	5/1989	Nakao et al. .	5,265,891	11/1993	Diehl .
4,831,689	5/1989	Lo .	5,301,963	4/1994	Chen .
4,902,027	2/1990	Skelly .	5,308,096	5/1994	Smith .
4,934,728	6/1990	Chen .	5,356,171	10/1994	Schmidlin et al. .
4,953,880	9/1990	Sudakoff et al. .	5,460,395	10/1995	Chen .
			5,522,614	6/1996	Eyman et al. .

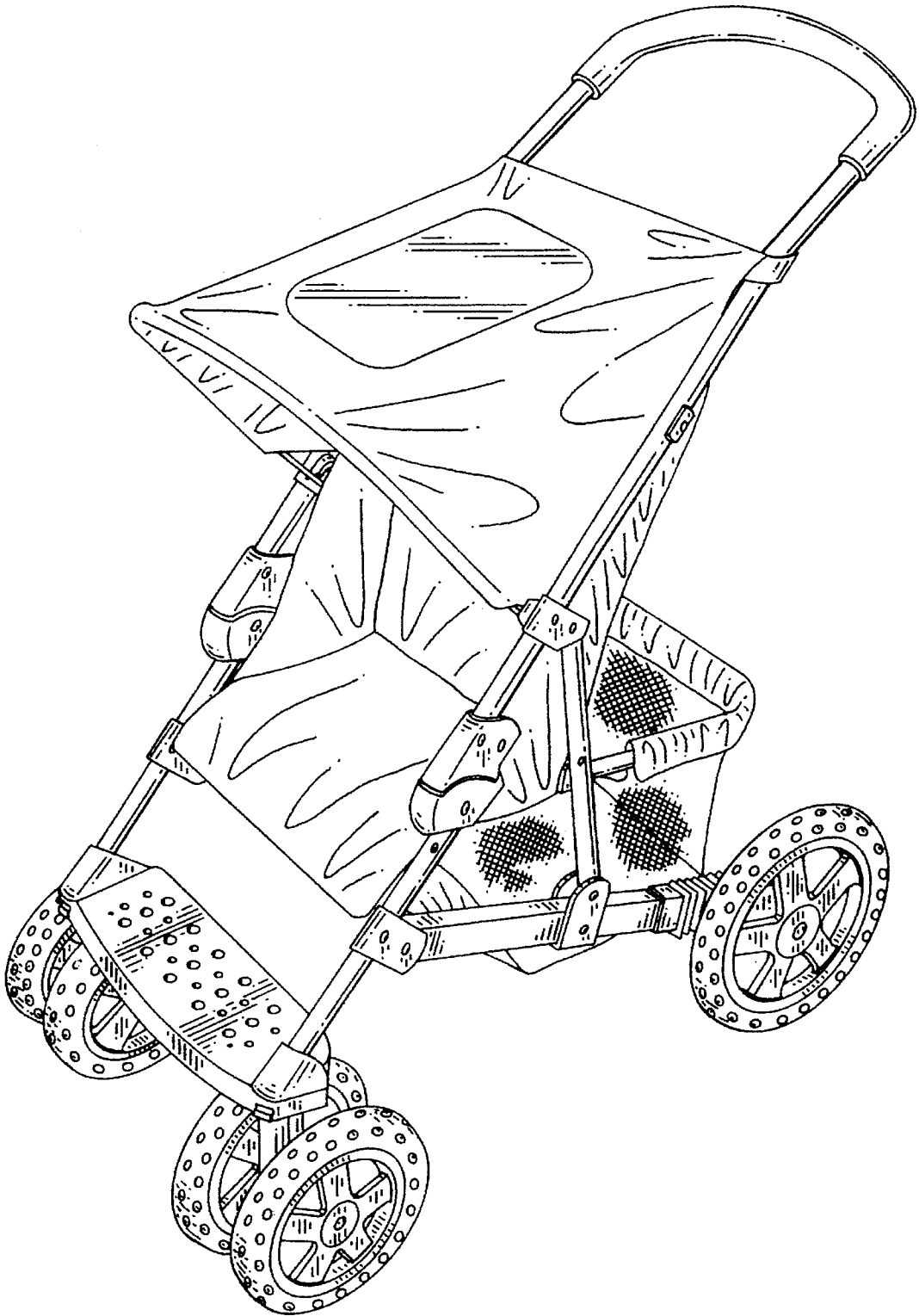


FIG. 1

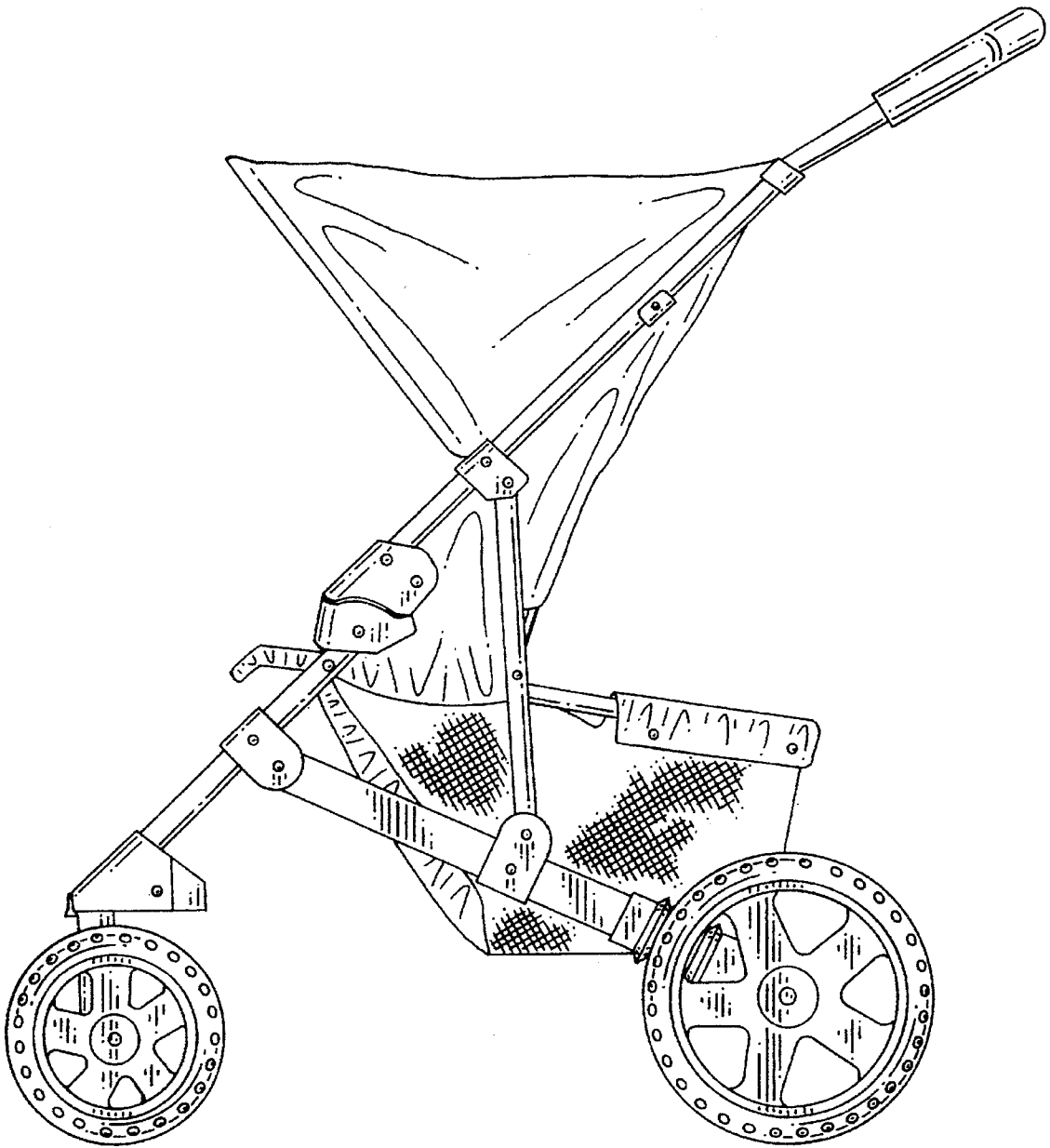


FIG. 2

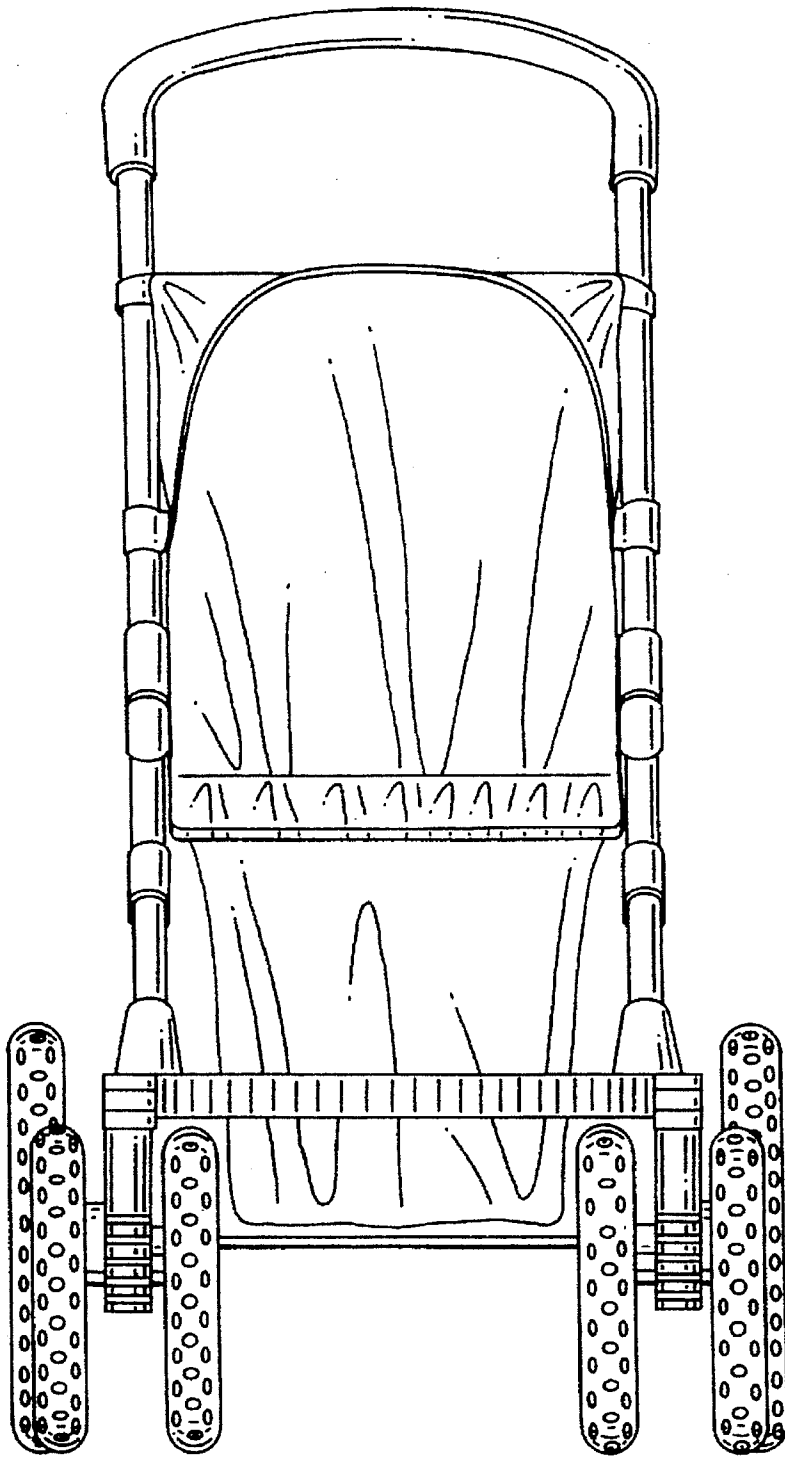


FIG. 3

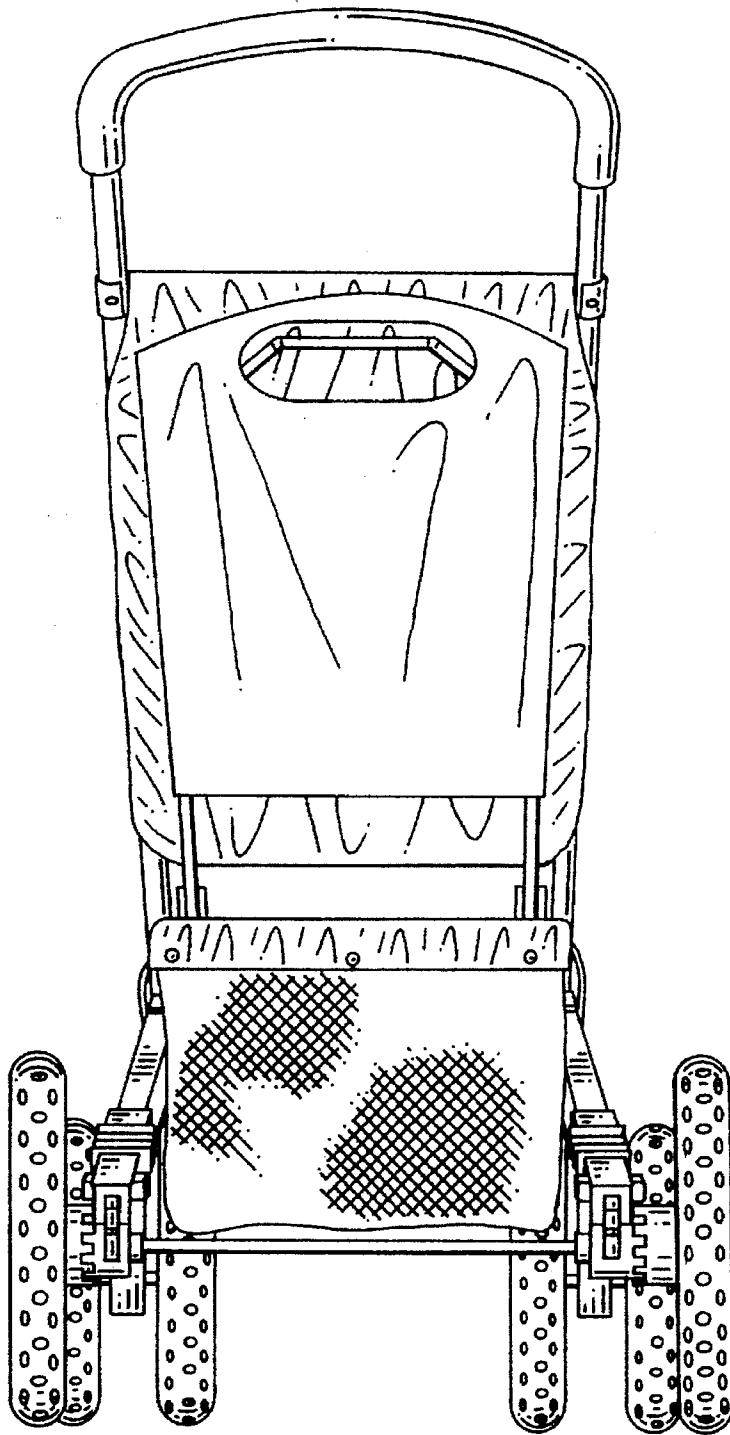


FIG. 4

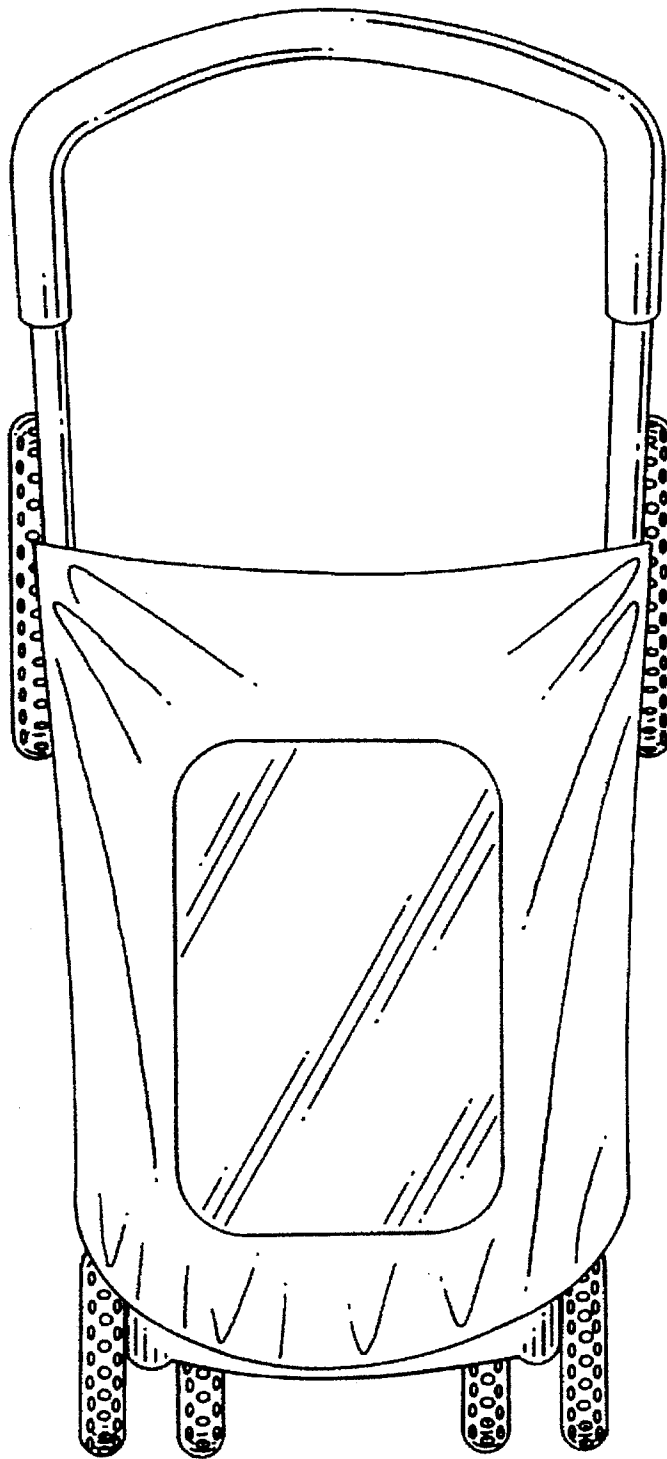


FIG. 5

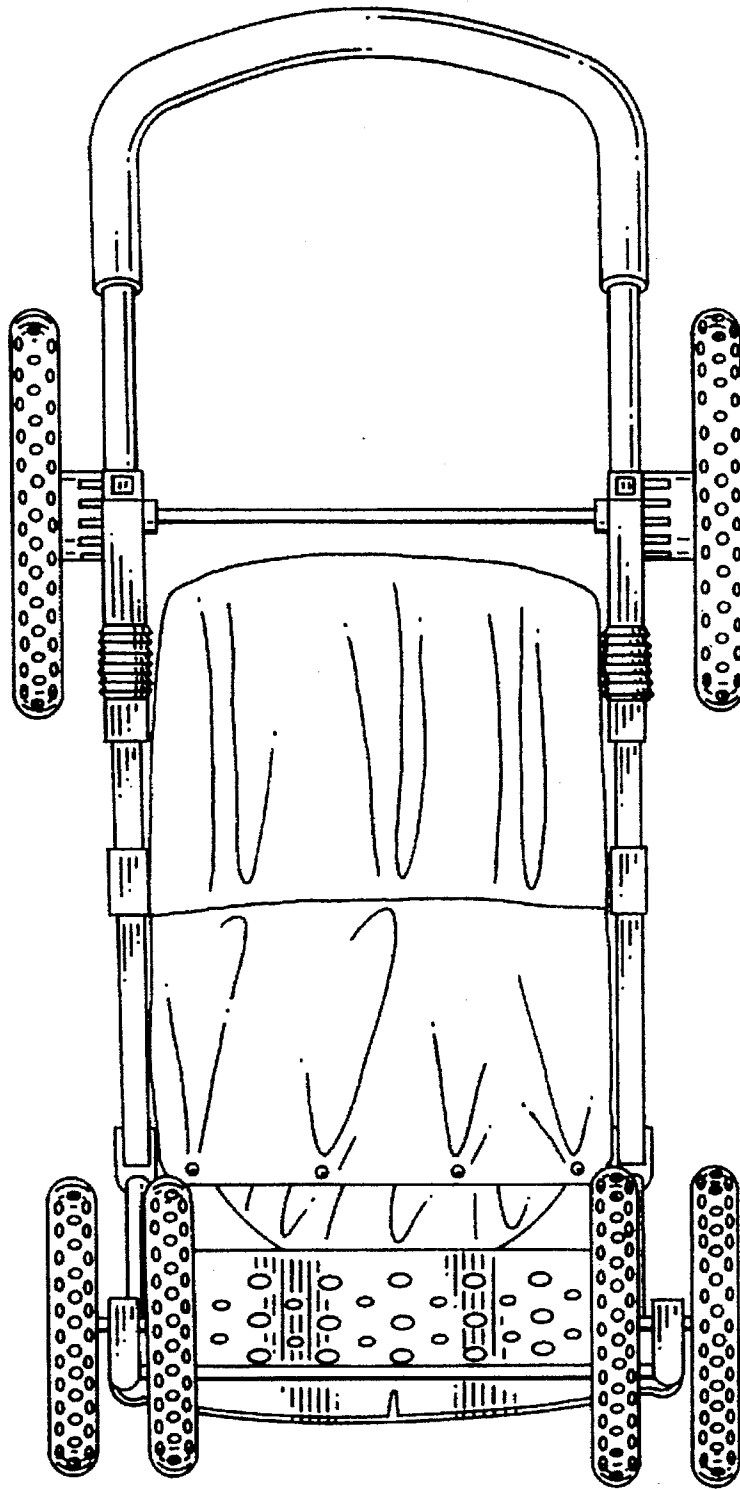


FIG. 6