



US00D511628S

(12) **United States Design Patent** (10) **Patent No.:** **US D511,628 S**
Cross (45) **Date of Patent:** **** Nov. 22, 2005**

(54) **ARMLESS CHAIR**

(75) **Inventor:** **Curtis L. Cross**, 3663 Columbiaville Rd., Columbiaville, MI (US) 48421

(73) **Assignee:** **Curtis L. Cross**, Columbiaville, MI (US)

(**) **Term:** **14 Years**

(21) **Appl. No.:** **29/206,013**

(22) **Filed:** **May 24, 2004**

(51) **LOC (8) Cl.** **06-01**

(52) **U.S. Cl.** **D6/370**

(58) **Field of Search** D6/334, 335, 344, D6/347, 369, 370, 374-376, 379, 381, 500-502; 297/232, 440.1, 452.63

(56) **References Cited**

U.S. PATENT DOCUMENTS

- D137,587 S * 4/1944 Harasty D6/370
- D181,727 S * 12/1957 Haynes D6/370
- D229,591 S * 12/1973 Trail et al. D6/370
- 4,302,048 A * 11/1981 Yount 297/440.1

- D273,444 S * 4/1984 Harper et al. D6/370
- D278,767 S * 5/1985 Lundquist D6/335
- D292,656 S * 11/1987 Masterton D6/370
- D354,173 S * 1/1995 Escobal et al. D6/335
- D359,397 S * 6/1995 McPhee D6/370
- D495,156 S * 8/2004 Gower D6/370

* cited by examiner

Primary Examiner—Mimosa De

(74) *Attorney, Agent, or Firm*—Reising, Ethington, Barnes, Kisselle & Learman, P.C.

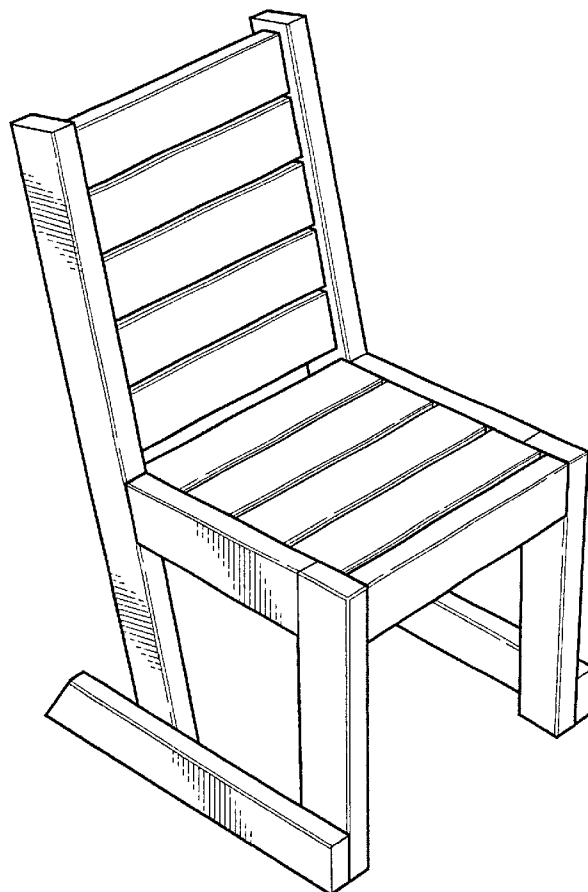
(57) **CLAIM**

The ornamental design for an armless chair, shown and described.

DESCRIPTION

FIG. 1 is a perspective view of the armless chair; FIG. 2 is a side elevational view of the armless chair; FIG. 3 is a front elevational view of the armless chair; FIG. 4 is a rear elevational view of the armless chair; FIG. 5 is a top plan view of the armless chair; and, FIG. 6 is a bottom plan view of the armless chair.

1 Claim, 2 Drawing Sheets



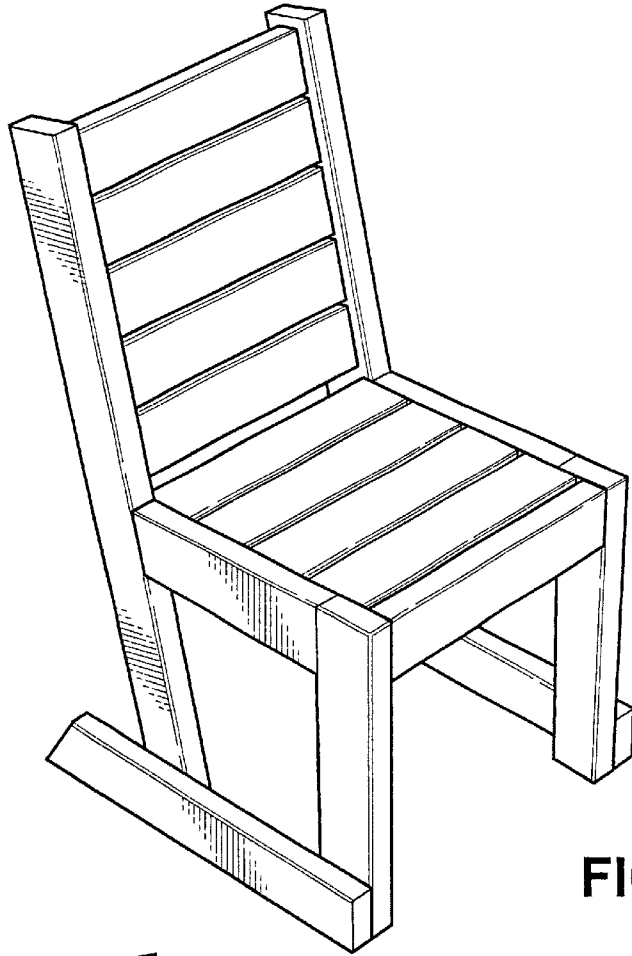


FIG - 1

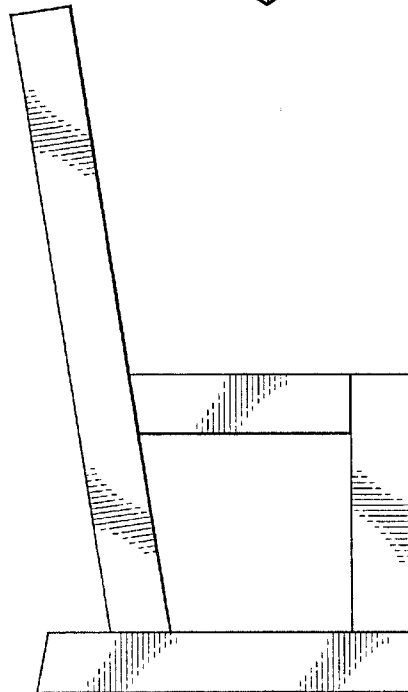


FIG - 2

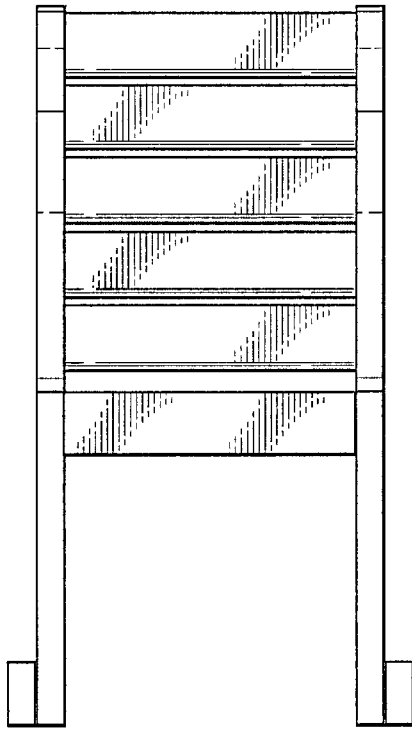


FIG - 3

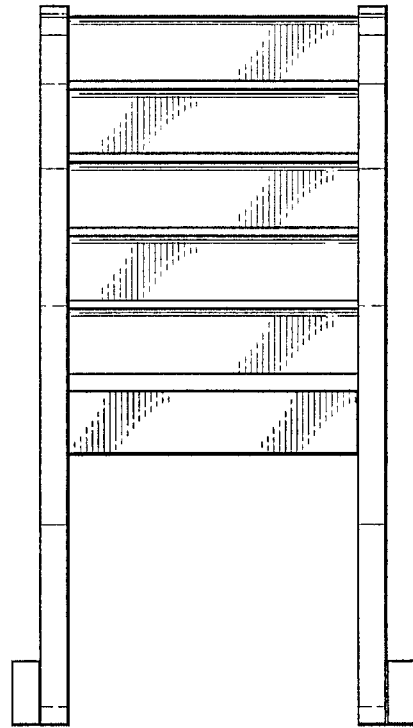


FIG - 4

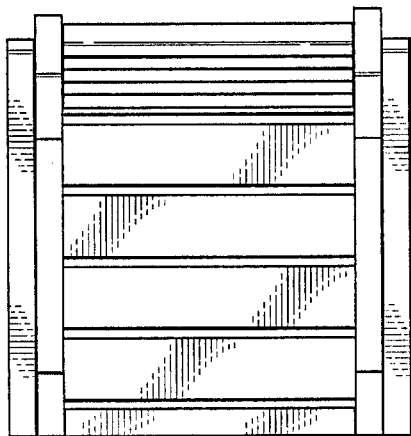


FIG - 5

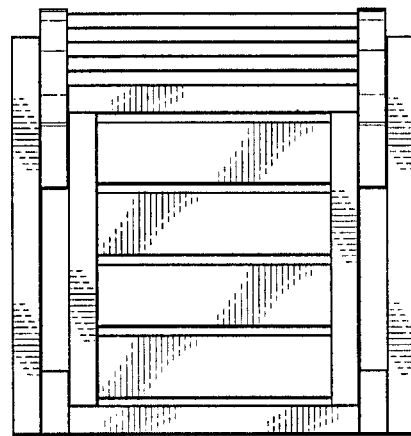


FIG - 6