



US00D438460S

(12) **United States Design Patent**
Hammond

(10) **Patent No.:** **US D438,460 S**

(45) **Date of Patent:** **** Mar. 6, 2001**

(54) **BOTTLE CARRIER**

(75) **Inventor:** **Donald C. Hammond, Weston, MO (US)**

(73) **Assignee:** **McCormick Distilling Co., Inc., Weston, MO (US)**

(**) **Term:** **14 Years**

(21) **Appl. No.:** **29/102,181**

(22) **Filed:** **Mar. 18, 1999**

(51) **LOC (7) Cl. 09-03**

(52) **U.S. Cl. D9/345; D9/415; D9/426**

(58) **Field of Search D9/337, 341, 345-346, D9/347, 414-415, 420-421, 425, 430-432, 500, 516, 517; D7/509, 523, 543, 545, 549, 553.2, 555-556, 587, 602-604; 206/364-365, 562-564, 203, 471, 162, 705; 220/4.21, 4.24**

(56) **References Cited**

U.S. PATENT DOCUMENTS

D. 86,061	*	1/1932	Shepard	D9/345
D. 86,483	*	3/1932	Shepard	D9/345
D. 123,103	*	10/1940	Murray	D9/341
D. 183,370	*	8/1958	Raymond	D9/345

D. 222,580	*	11/1971	Nakakuma	D9/345
D. 236,805	*	9/1975	Swampscott et al.	D9/345
D. 277,731	*	2/1985	Sharp et al.	D9/337
D. 292,879	*	11/1987	Smith	D9/345
D. 362,156	*	9/1995	Goto et al.	D7/511
D. 371,936	*	7/1996	Goto et al.	D7/604
D. 401,503	*	11/1998	Domenget	D9/345
5,950,829	*	9/1999	Gale	206/564

* cited by examiner

Primary Examiner—Ted Shooman

Assistant Examiner—Carol Rademaker

(74) *Attorney, Agent, or Firm*—Hovey, Williams, Timmons & Collins

(57) **CLAIM**

The ornamental design for a bottle carrier, as shown and described.

DESCRIPTION

FIG. 1 is a front elevational view;
 FIG. 2 is a rear elevational view;
 FIG. 3 is an end elevational view;
 FIG. 4 is an end elevational view of the end opposite to that shown in FIG. 3;
 FIG. 5 is a top plan view; and,
 FIG. 6 is a bottom plan view.

1 Claim, 3 Drawing Sheets

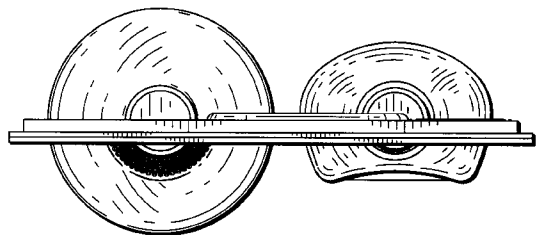
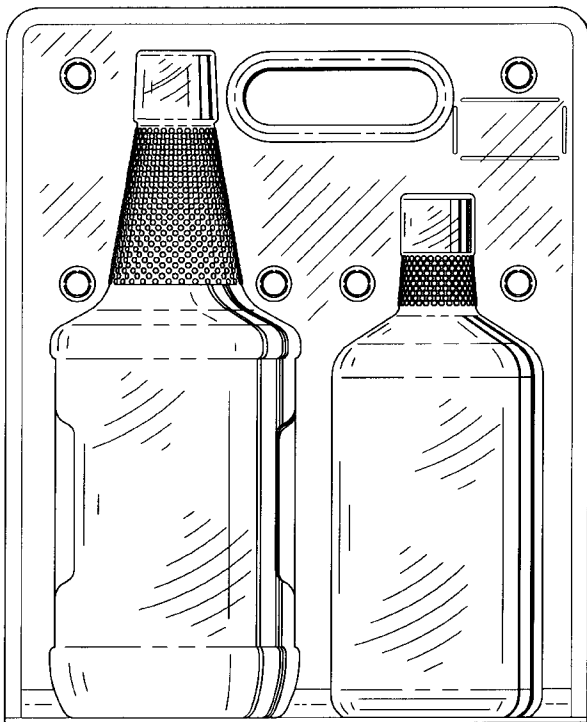


Fig. 2.

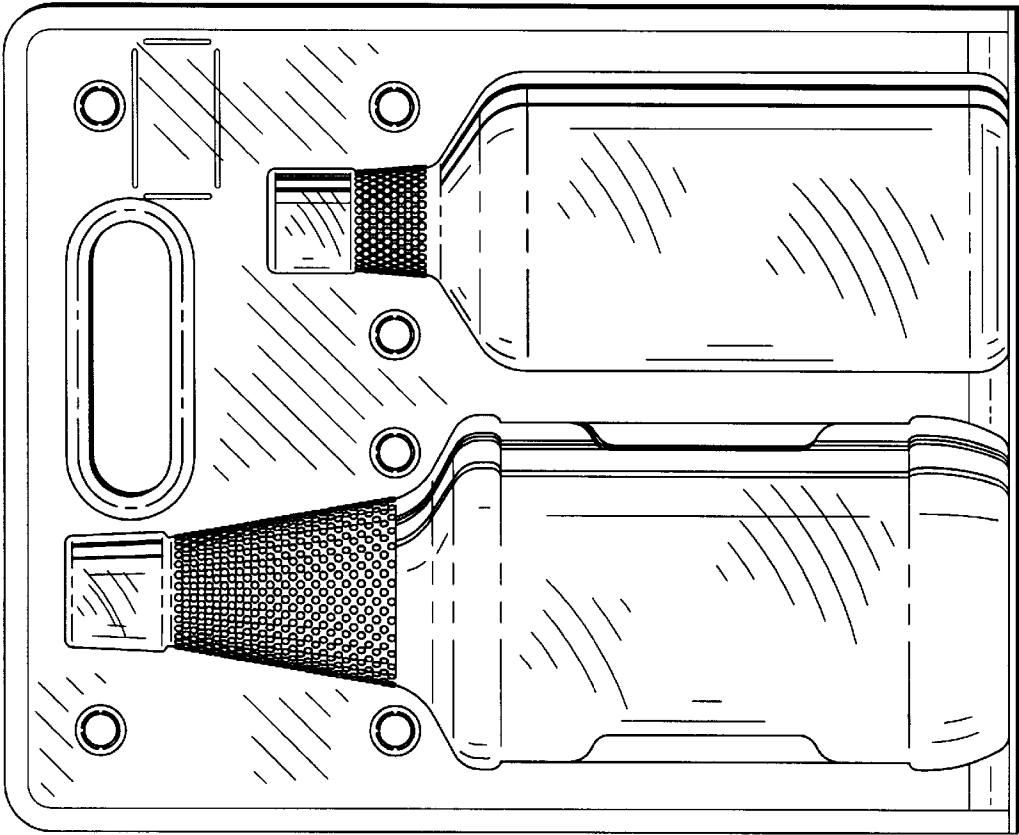


Fig. 1.

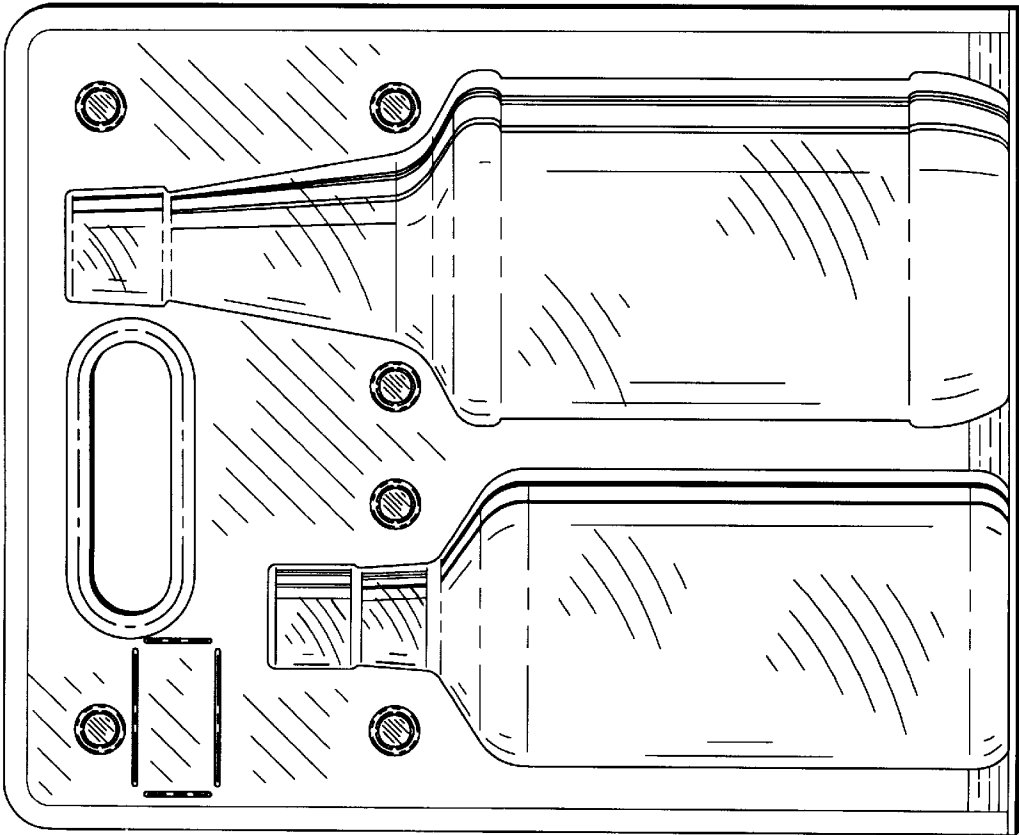


Fig. 4.

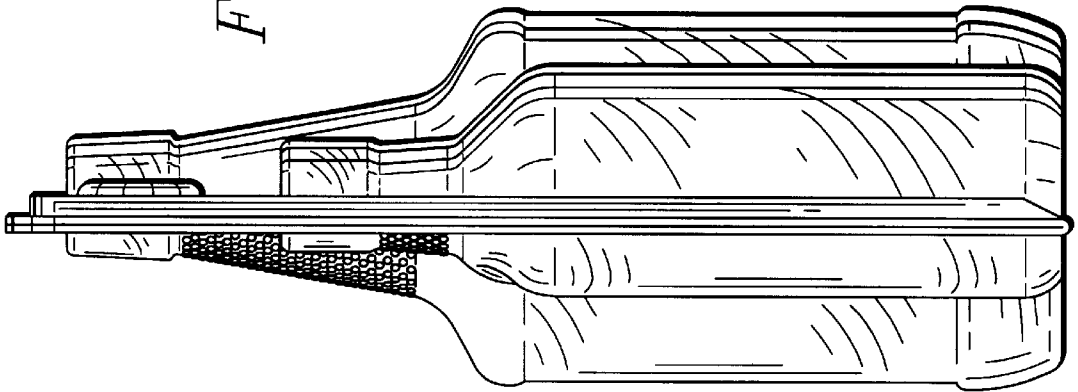
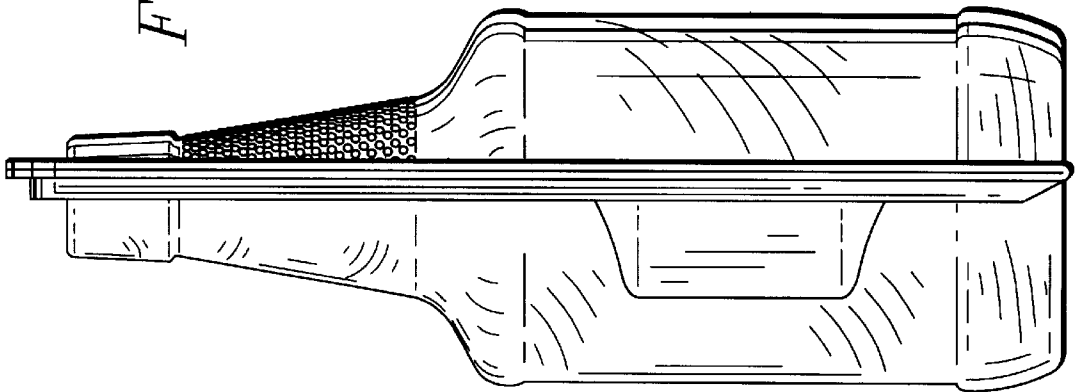


Fig. 3.



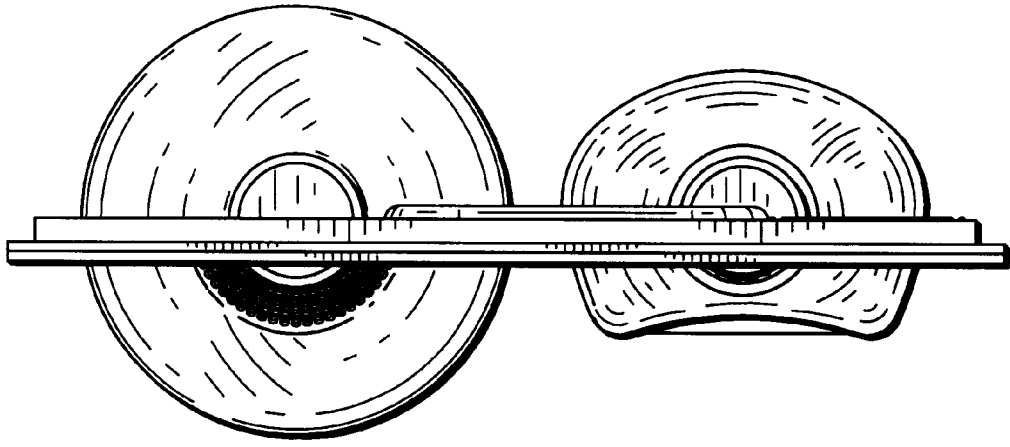


Fig. 5.

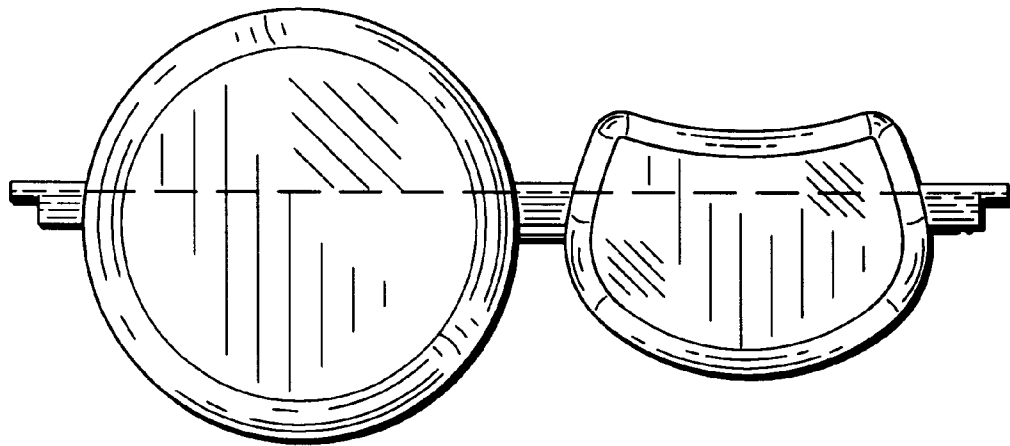


Fig. 6.