

(43) Date of A Publication **18.10.1995**

(21) Application No **9406683.4**

(22) Date of Filing **05.04.1994**

(71) Applicant(s)
Shun-Hsi Hsu
No 17 Lane 99, Pei-Yuan Street, Tainan, Taiwan

Jui-Ling Chen
4F No 200, Fu-Ho Road, Yung-ho Shih, Taipei Hsien,
Taiwan

(72) Inventor(s)
Shun-Hsi Hsu
Jui-Ling Chen

(74) Agent and/or Address for Service
Eric Potter Clarkson
St Mary's Court, St Mary's Gate, NOTTINGHAM,
NG1 1LE, United Kingdom

(51) INT CL⁶
A63H 33/10 33/38

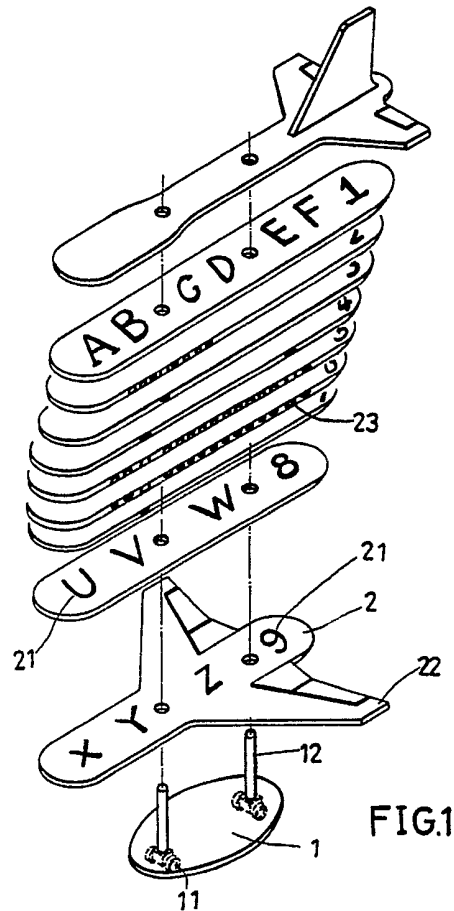
(52) UK CL (Edition N)
A6S S6A1 S6A2 S6A6 S6B S6H1 S6L

(56) Documents Cited
GB 2163283 A

(58) Field of Search
UK CL (Edition M) **A6S , G5G G10**
INT CL⁵ **A63H , G09B**
Online databases: W.P.I.

(54) **Multi-layer toy book**

(57) A multi-layer toy book consists of a bottom plate 1 having a pair of rollers 11, 11 a plurality of hard cards 2, printed with an animal, a flower, a vehicle, a character, etc. for children to play and learn, and heaped up on the bottom plate by means of two posts 12, fixed upright on the bottom plate and two holes bored in each hard card. The hard cards may be used separately by children in learning and play. The configuration of the multi-layer toy book is made as an animal, a vehicle, etc, (Figures 2 to 7) and the circumferential side of the hard cards is printed with a design 2, 3 in accordance with the configuration of the toy book (Figures 1 and 2).



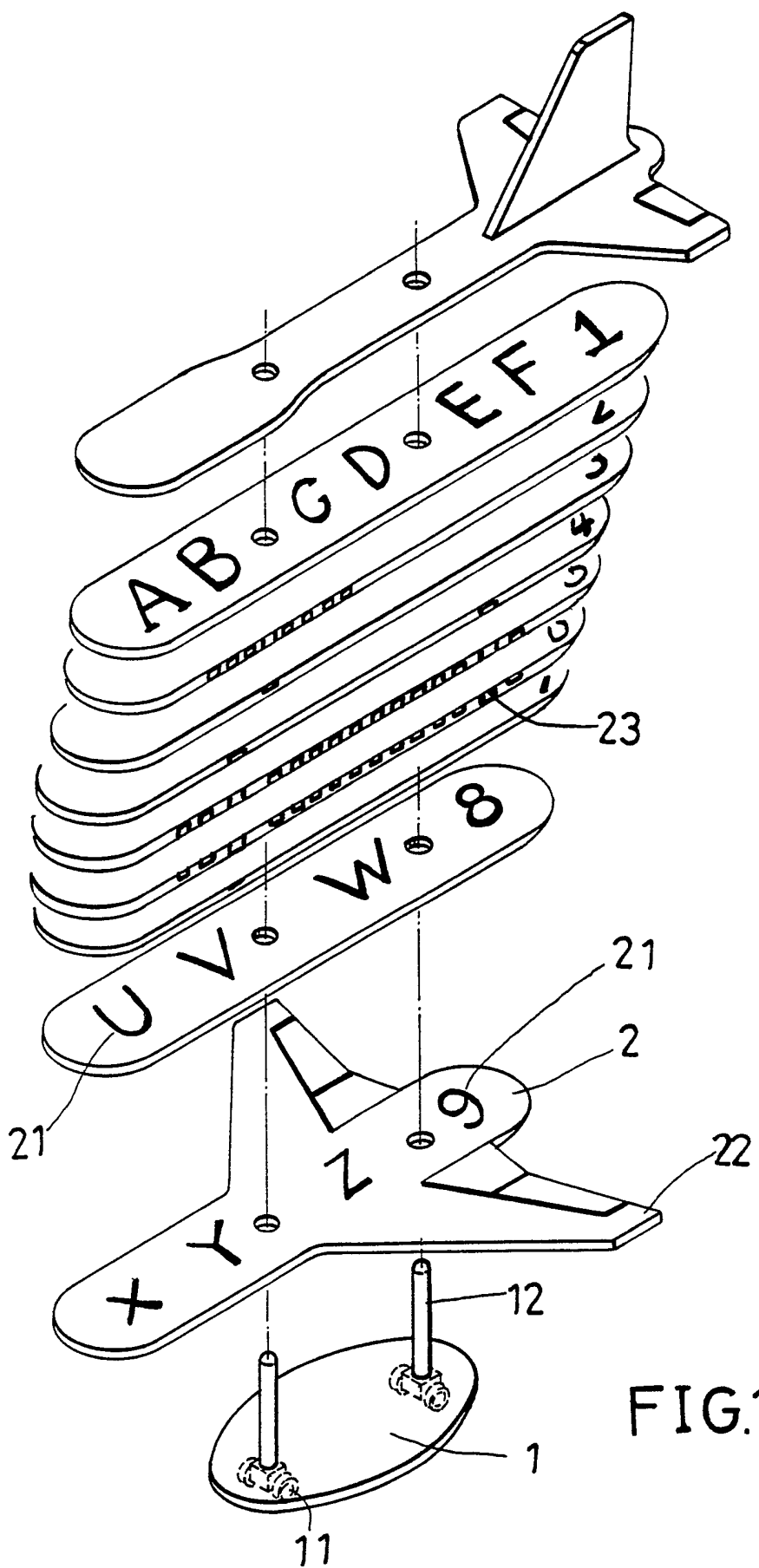


FIG.1

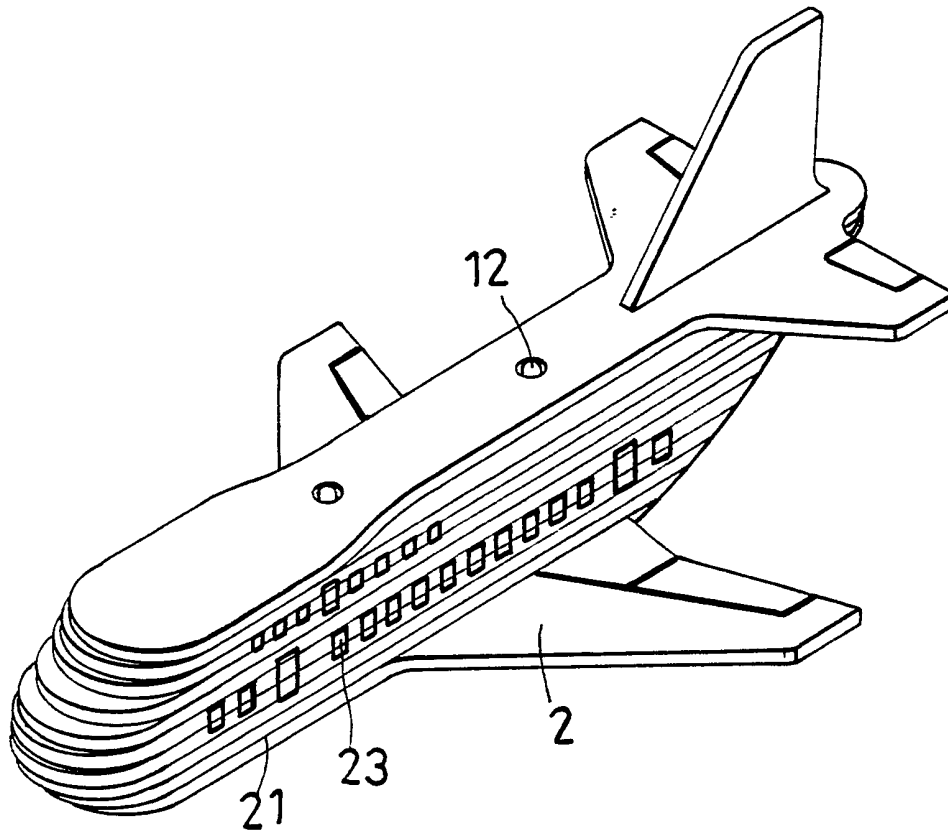


FIG. 2

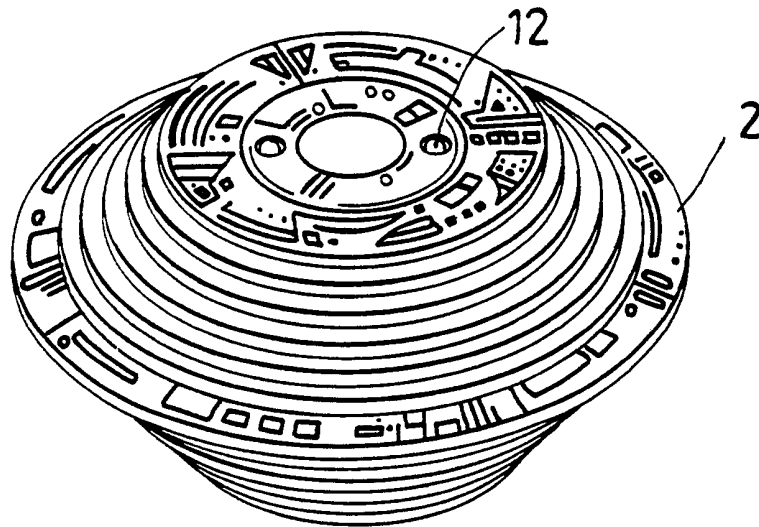


FIG. 5

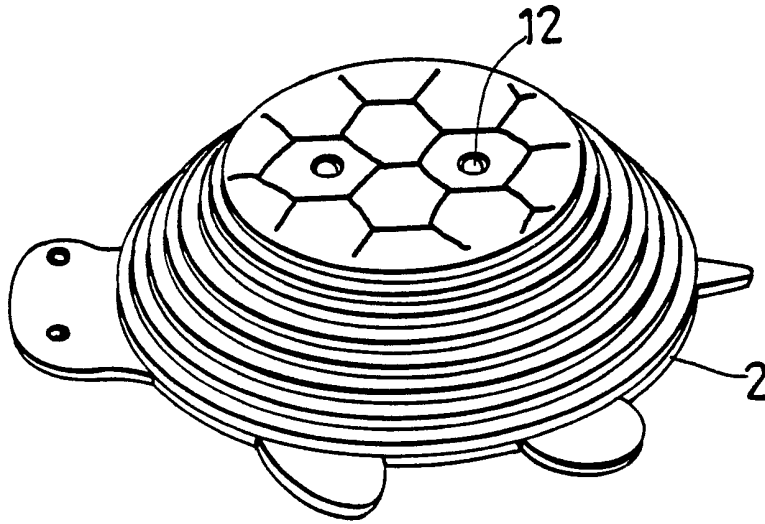


FIG. 3

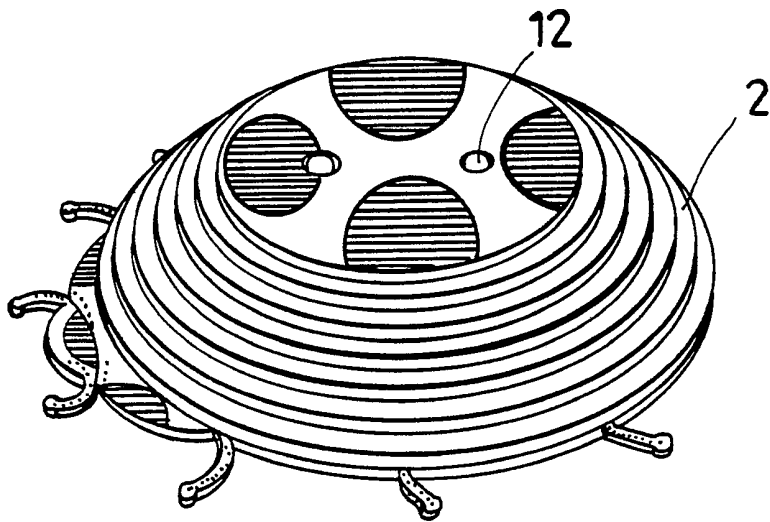


FIG. 4

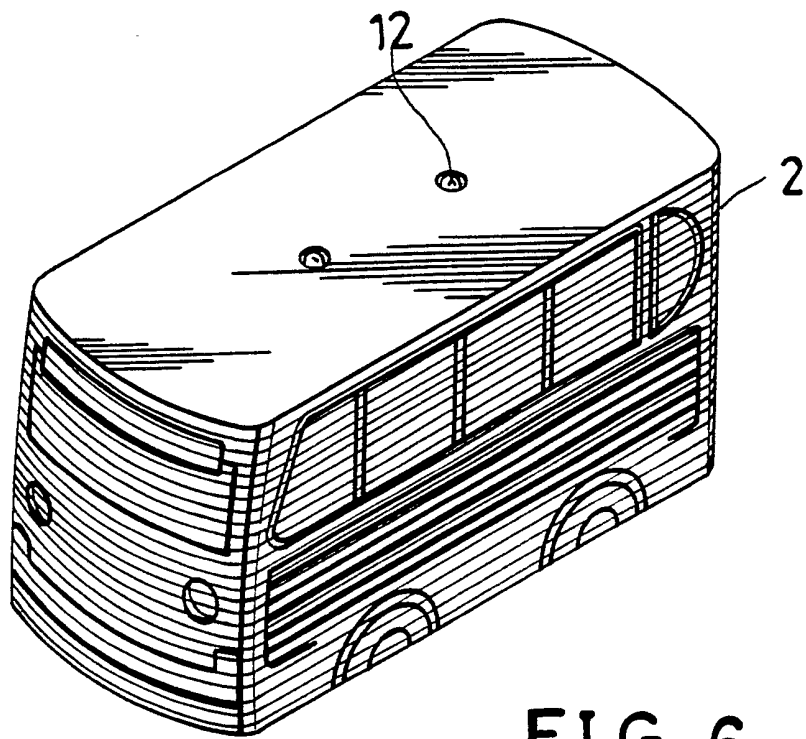


FIG. 6

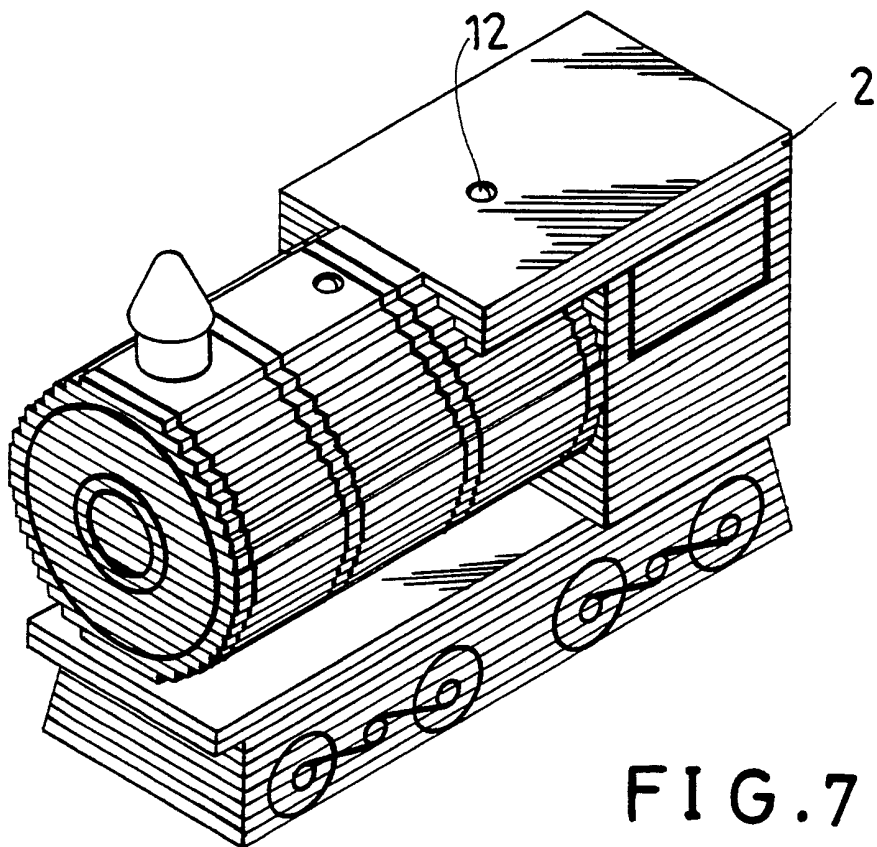


FIG. 7

MULTI-LAYER TOY BOOK

BACKGROUND OF THE INVENTION

This invention concerns a kind of toy book for small children of pre-school age to play and learn at the same time.

SUMMARY OF THE INVENTION

A multi-layer toy book in the present invention can be used through variable interesting methods of playing and learning at the same time by children.

The multi-layer toy book of this invention includes a bottom flat plate with two upright posts and two pairs of rollers to roll on the ground, and a plurality of hard cards having two holes to fit with the two posts of the bottom plate to be heaped up on the bottom plate. The outer configuration of the whole multi-layer toy book can be made to look like an animal, a vehicle, etc. to attract curiosity of children. Each hard card is printed with an animal, a flower, a tree, a vehicle, an alphabet, a character, etc. for children to play and learn or recognize. In playing, the hard cards can be taken off the bottom plate. In addition, circumferential side of the hard cards is printed with something related with the configuration of the toy book such as windows or doors in relation to an airplane configuration, and after all the hard cards have been

taken off the posts, a child playing this toy book can try to heap all the hard cards back up on the bottom plate in the right order.

BRIEF DESCRIPTION OF THE DRAWINGS

5 The invention will be better understood by reference to the accompanying drawings, wherein:

 FIG. 1 is an exploded perspective view of a first embodiment of a multi-layer book in the present invention;

10 FIG. 2 is a perspective view of the first embodiment of the multi-layer toy book in the present invention;

 FIG. 3 is a perspective view of a second embodiment of the multi-layer toy book in the present invention;

15 FIG. 4 is a perspective view of a third embodiment of the multi-layer toy book in the present invention;

 FIG. 5 is a perspective view of a fourth embodiment of the multi-layer toy book in the present invention;

 FIG. 6 is a perspective view of a fifth embodiment of the multi-layer toy book in the present invention;

20 and;

 FIG. 7 is a perspective view of a sixth embodiment of the multi-layer toy book in the present invention.

DESCRIPTION OF THE PREFERRED EMBODIMENTS

25 A multi-layer toy book in the present invention, as

shown in FIGS. 1 and 2, includes a bottom plate 1 of any form, two spaced-apart posts 12 fixed upright on the bottom plate 1, a pair of rollers 11, 11 fixed with a bottom of each post 12 under the bottom plate, a plurality of hard cards 2 made of cardboard or the like and having two post holes for the posts 12 to pass through for heaping up one another on the bottom plate 1, forming many layers.

Each hard card 2 is printed with a design 21 or a picture of an animal, a flower, a tree, a vehicle, an alphabet, a character, etc. for learning, teaching or playing on its flat surface according to different necessity for different ages and intellect.

The configuration of the multi-layer toy book is made to look like an animal, a vehicle, a plane, etc. such as an airplane shown in FIG. 1 in addition to other designs, animals, vehicles, etc. printed on its upper and lower surfaces of each hard card 2. Furthermore, the circumferential side surface 22 of the heaped-up hard cards 2 are also printed with decorative designs corresponding to an animal, a vehicle, etc. represented by the multi-layer toy book, such as windows or doors of an airplane and so on. Then hard cards 2 finished with a design, a picture, an animal, a vehicle, etc, are orderly heaped up on the bottom plate 1, with the two posts 12 passing through the two holes of each card 2.

When a child together with its parent wants to play

this multi-layer toy books, the parent takes out the hard cards one by one to teach him a content on each card 2, and to let him recognize the shape and the name of an animal, a vehicle, etc.

5 The configuration of a multi-layer toy book is made to look like an airplane in a first embodiment shown in FIG. 2, a tortoise in a second embodiment shown in FIG. 3, a bug in a third embodiment shown in FIG. 4, a flying saucer in a fourth embodiment shown in FIG. 5, a public
10 bus in a fifth embodiment shown in FIG. 6, and a train in a sixth embodiment shown in FIG. 7. These kinds of configuration of multi-layer toy books represent one method of enlightenment for children in playing with them.

15 The decorative designs 23 on the circumferential side surfaces of the hard cards 2 also give another kind of intellectual playing in orderly heaping up this multi-layer toy book.

 A consumer can utilize this multi-layer toy book
20 for enlightening small children of pre-school age, showing each card 2 of a multi-layer toy book to them, and letting them take out or heap up the cards 2 orderly again on the bottom plate 1. Then small children may recognize and learn names of animals, flowers, trees,
25 vehicles, characters, etc. printed on both surfaces of each card 2.

 While the preferred embodiments of the invention

have been described above, it will be recognized and understood that various modifications may be made therein and the appended claims are intended to cover all such modifications which may fall within the spirit and scope of the invention.

10

15

20

25

WHAT IS CLAIMED IS:

1. A multi-layer toy book comprising:
a bottom plate of any flat form having two upright posts
fixed spaced apart, and two pairs of rollers to roll on
5 the ground;

a plurality of hard cards made of cardboard and having
two post holes for said posts of said bottom plate to
pass through to be heaped up on the upper surface of
said bottom plate, each of said hard cards printed with
10 an animal, a flower, a tree, a vehicle, a character, an
alphabet, etc. the configuration of said heaped-up hard
cards being a form of a vehicle, an animal, and so on,
said hard cards being used for playing and learning at
the same time by small children.

15 2. The multi-layer toy book as claimed in Claim 1,
wherein said hard cards 2 heaped up on said bottom
plate, being passed through by said posts, have
decorative designs on their circumferential sides in
accordance with a configuration represented by the whole
20 multi-layer toy book so that a child may learn to heap
up said hard cards orderly to make up the correct
decorative designs pre-printed thereon.

Relevant Technical Fields

(i) UK Cl (Ed.M) A6S; G5G (G10)

(ii) Int Cl (Ed.5) A63H, G09B

Databases (see below)

(i) UK Patent Office collections of GB, EP, WO and US patent specifications.

(ii) ONLINE DATABASES : WPI

Search Examiner
R A H Casling

Date of completion of Search
16 May 1994

Documents considered relevant following a search in respect of Claims :-
1, 2

Categories of documents

- | | |
|---|---|
| X: Document indicating lack of novelty or of inventive step. | P: Document published on or after the declared priority date but before the filing date of the present application. |
| Y: Document indicating lack of inventive step if combined with one or more other documents of the same category. | E: Patent document published on or after, but with priority date earlier than, the filing date of the present application. |
| A: Document indicating technological background and/or state of the art. | &: Member of the same patent family; corresponding document. |

Category	Identity of document and relevant passages	Relevant to claim(s)
A	GB 2163283 A (JORGENSEN)	1,2

Databases:The UK Patent Office database comprises classified collections of GB, EP, WO and US patent specifications as outlined periodically in the Official Journal (Patents). The on-line databases considered for search are also listed periodically in the Official Journal (Patents).