



US00D651094S

(12) **United States Design Patent**  
**Kissinger et al.**

(10) **Patent No.:** **US D651,094 S**

(45) **Date of Patent:** **\*\* Dec. 27, 2011**

(54) **CONTAINER BODY PORTION**

(75) Inventors: **Jeffrey Kissinger**, Wadsworth, OH (US);  
**Christopher E. Kaminski**, Northfield  
Center, OH (US)

(73) Assignee: **Plastipak Packaging, Inc.**, Plymouth,  
MI (US)

(\*\*) Term: **14 Years**

(21) Appl. No.: **29/377,347**

(22) Filed: **Oct. 20, 2010**

(51) **LOC (9) Cl.** ..... **09-01**

(52) **U.S. Cl.** ..... **D9/541; D9/543**

(58) **Field of Classification Search** ..... D9/516,  
D9/530, 531, 541, 543, 551, 556, 557, 559,  
D9/560, 564, 569, 570, 575; 215/381-385;  
220/660, 669, 679, 752

See application file for complete search history.

(56) **References Cited**

**U.S. PATENT DOCUMENTS**

5,758,790	A	*	6/1998	Ewing, Jr.	.....	215/384
D497,552	S	*	10/2004	Zhang et al.	.....	D9/541
D505,077	S	*	5/2005	Piccioli et al.	.....	D9/538
D508,410	S	*	8/2005	Zboch et al.	.....	D9/667
D513,703	S	*	1/2006	Zboch et al.	.....	D9/667

D514,450	S	*	2/2006	Zboch et al.	.....	D9/667
D515,434	S	*	2/2006	Zboch et al.	.....	D9/667
D530,601	S	*	10/2006	Zboch et al.	.....	D9/434
D580,270	S	*	11/2008	Futral	.....	D9/541
D582,204	S	*	12/2008	Garman	.....	D7/378
D597,849	S	*	8/2009	Aoyagi et al.	.....	D9/566

\* cited by examiner

*Primary Examiner* — Stella Reid

*Assistant Examiner* — Keli L Hill

(74) *Attorney, Agent, or Firm* — Mario A. Tabone

(57) **CLAIM**

The ornamental design for a container body portion, as shown and described.

**DESCRIPTION**

FIG. 1 is a top, front, left perspective view of a container body portion showing our new design;

FIG. 2 is a front elevational view thereof;

FIG. 3 is a rear side elevational view thereof;

FIG. 4 is a left side elevational view thereof;

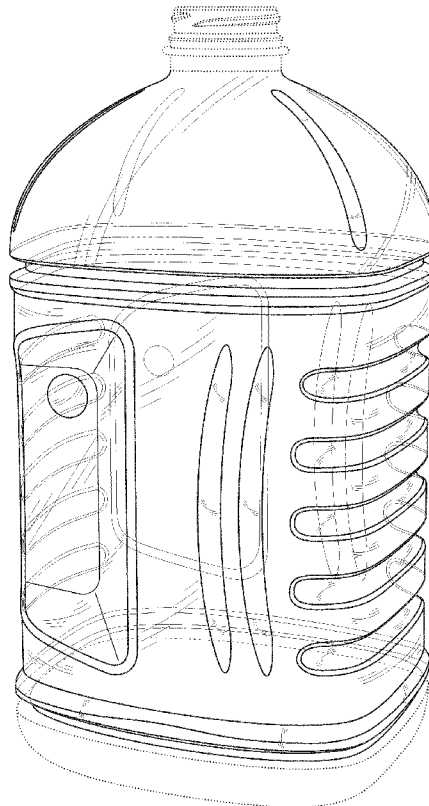
FIG. 5 is a right side elevational view thereof;

FIG. 6 is a top plan view thereof; and,

FIG. 7 is a bottom plan view thereof.

The broken lines shown in the drawing views are for environmental purposes only and form no part of the claimed design.

**1 Claim, 6 Drawing Sheets**



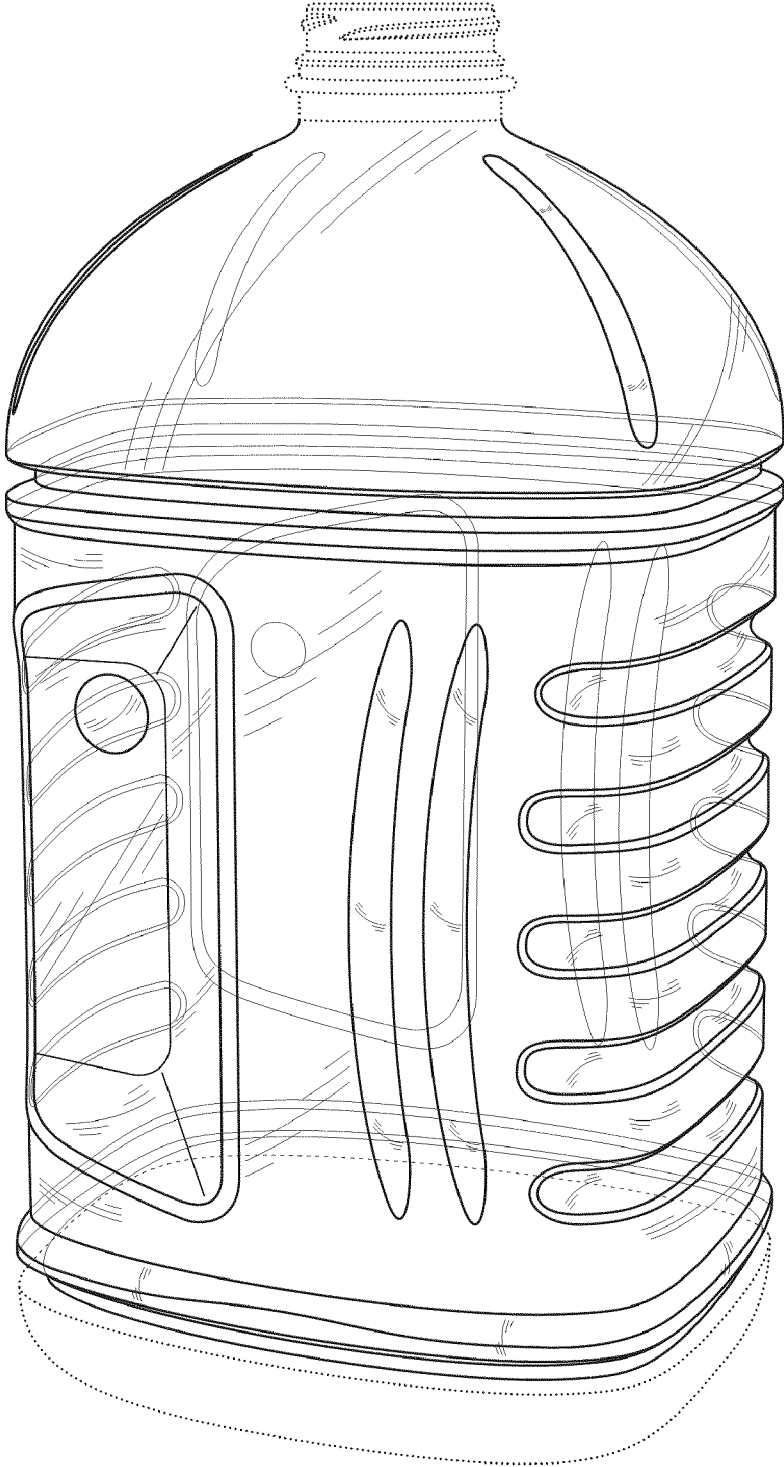


FIG. 1

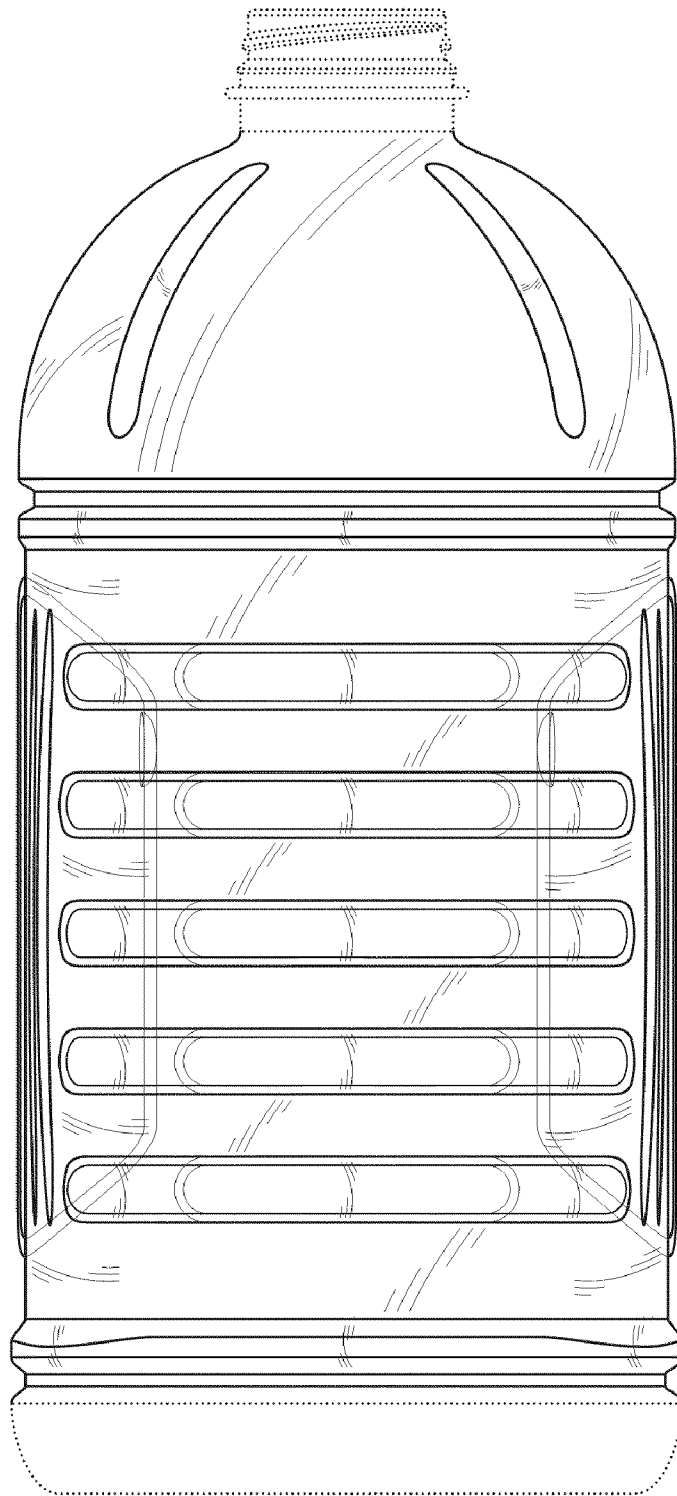


FIG. 2

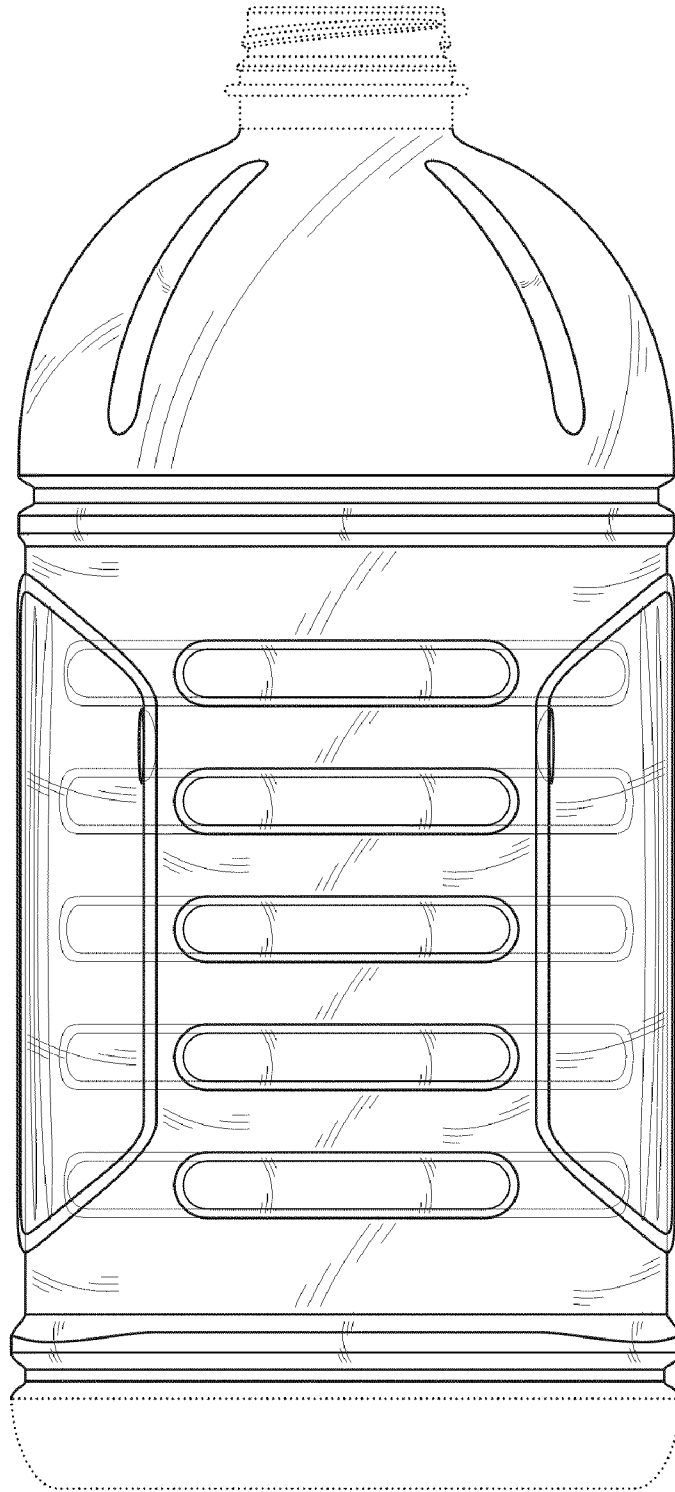


FIG. 3

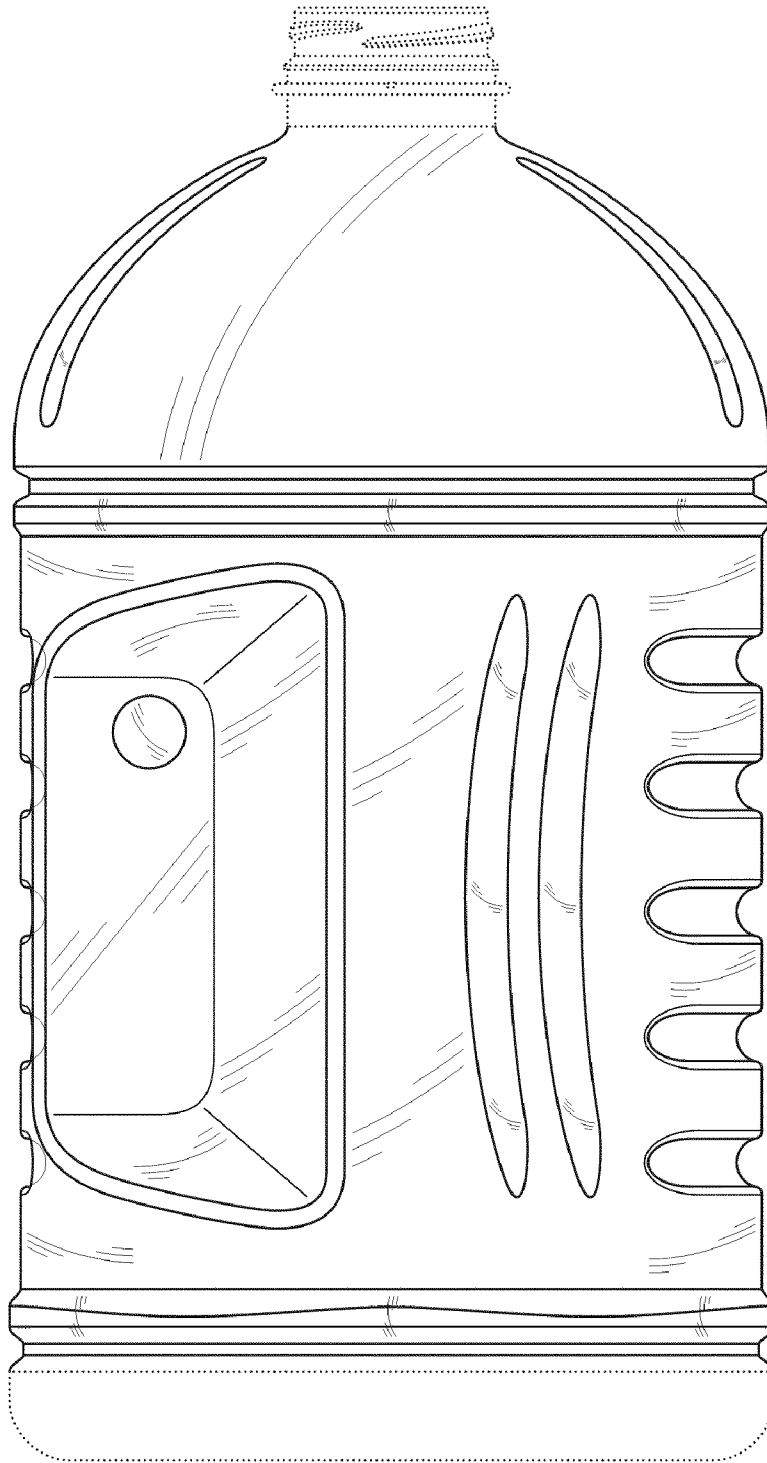


FIG. 4

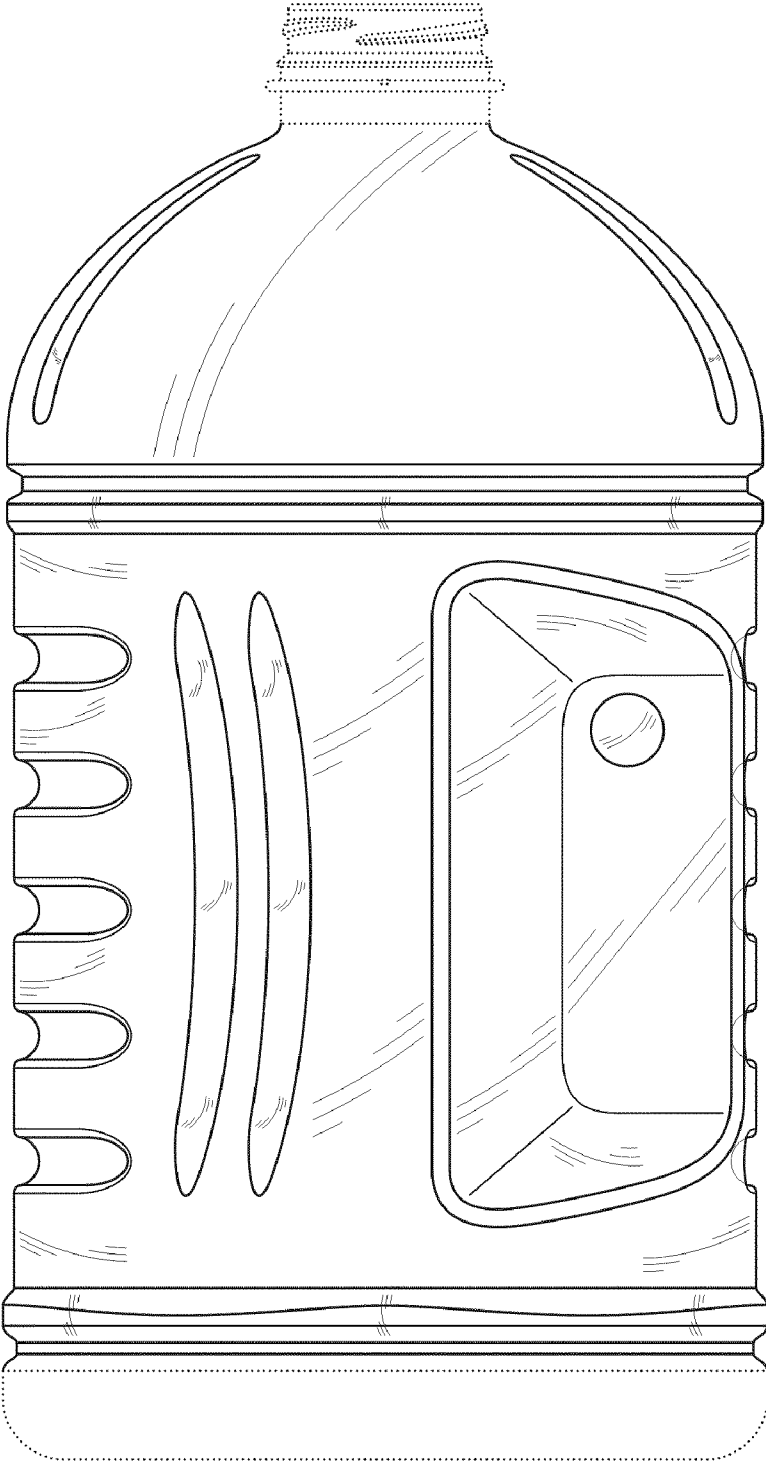


FIG. 5

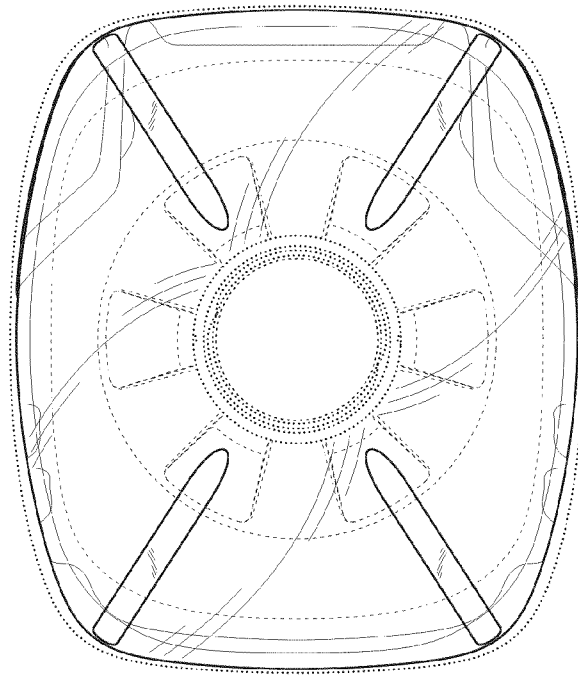


FIG. 6

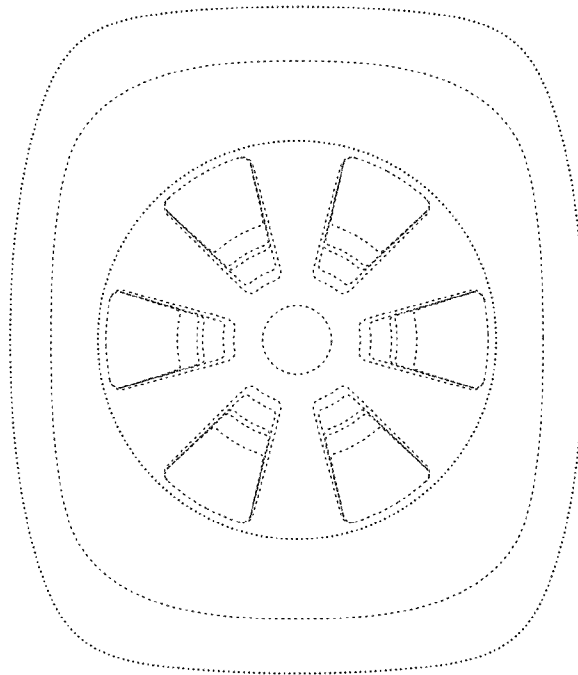


FIG. 7