



US00D558358S

(12) **United States Design Patent**  
**DiGennaro**

(10) **Patent No.:** **US D558,358 S**

(45) **Date of Patent:** **\*\* Dec. 25, 2007**

(54) **FRAME COMPONENT**

6,694,689 B1 \* 2/2004 Scott et al. .... 52/392

(75) Inventor: **Ernest DiGennaro**, Thousand Oaks,  
CA (US)

\* cited by examiner

*Primary Examiner*—Doris Clark

(73) Assignee: **California Portable Dance Floor**  
**Company, Inc.**, Camarillo, CA (US)

(74) *Attorney, Agent, or Firm*—Ralph D. Chabot

(\*\*) Term: **14 Years**

(57) **CLAIM**

The ornamental design for a frame component, as shown and described.

(21) Appl. No.: **29/248,685**

(22) Filed: **Aug. 29, 2006**

**DESCRIPTION**

(51) **LOC (8) Cl.** ..... **25-02**

FIG. 1 is a top perspective view of my frame component taken from the top, front, right side.

(52) **U.S. Cl.** ..... **D25/60**

FIG. 2 is a front elevation view thereof;

(58) **Field of Classification Search** ..... D25/60;  
52/392, 387, 458

FIG. 3 is a rear elevation view thereof;

See application file for complete search history.

FIG. 4 is a right side elevation view thereof; the left side elevation view being a mirror image of the right side elevation view;

(56) **References Cited**

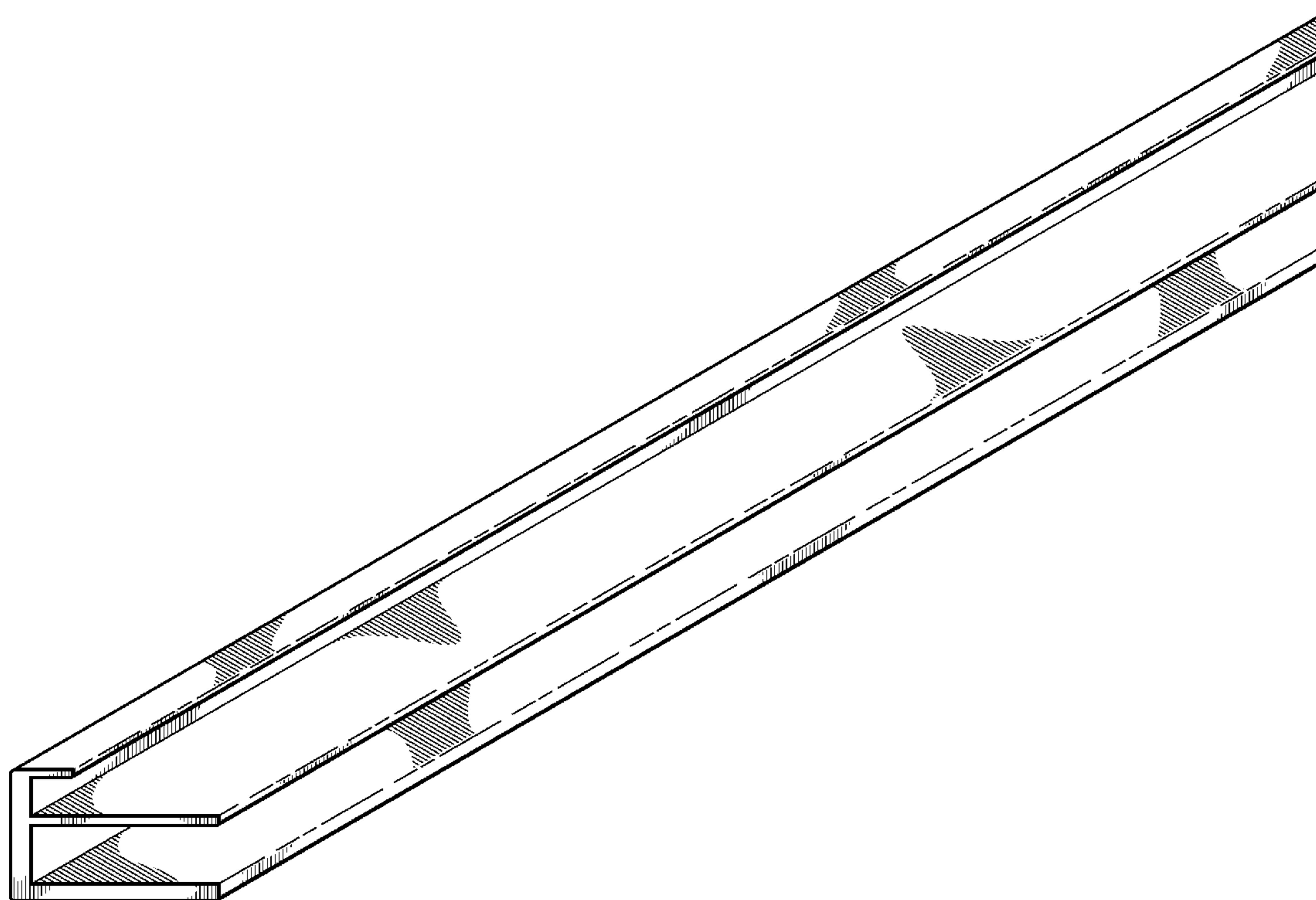
**U.S. PATENT DOCUMENTS**

- D375,801 S \* 11/1996 Braudaway ..... D25/60
- 5,634,309 A \* 6/1997 Polen ..... 52/392
- 6,128,881 A \* 10/2000 Bue et al. .... 52/582.2

FIG. 5 is a top plan view thereof; and,

FIG. 6 is a bottom plan view thereof.

**1 Claim, 3 Drawing Sheets**



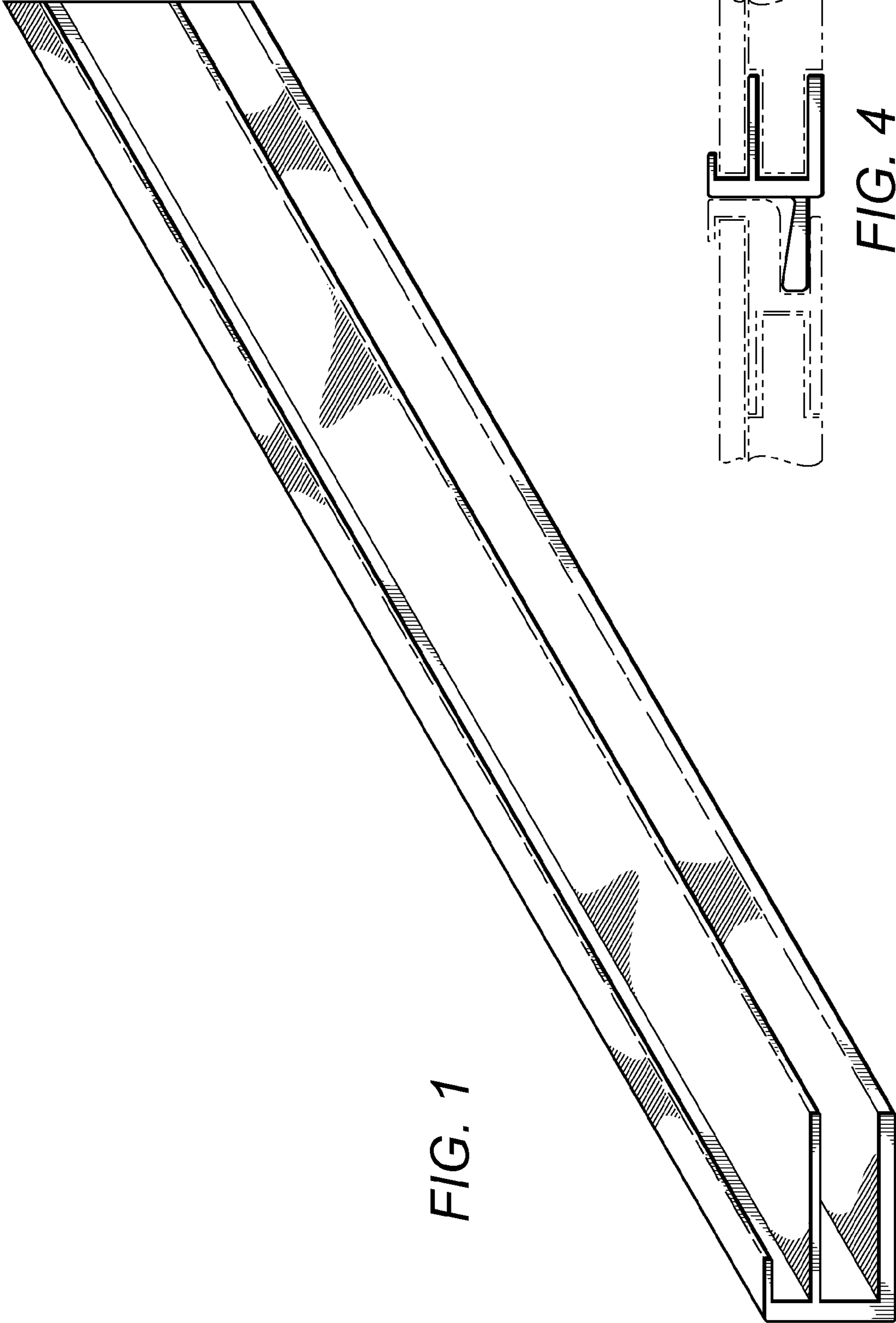


FIG. 1

FIG. 4

FIG. 2

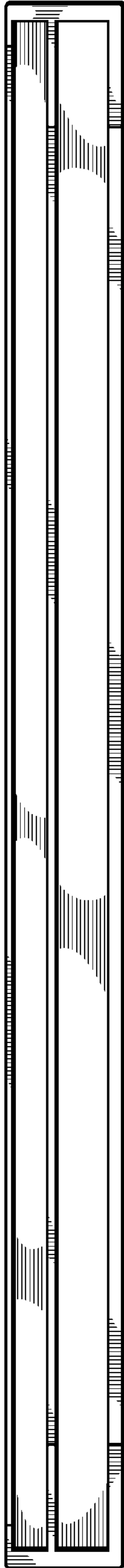


FIG. 5

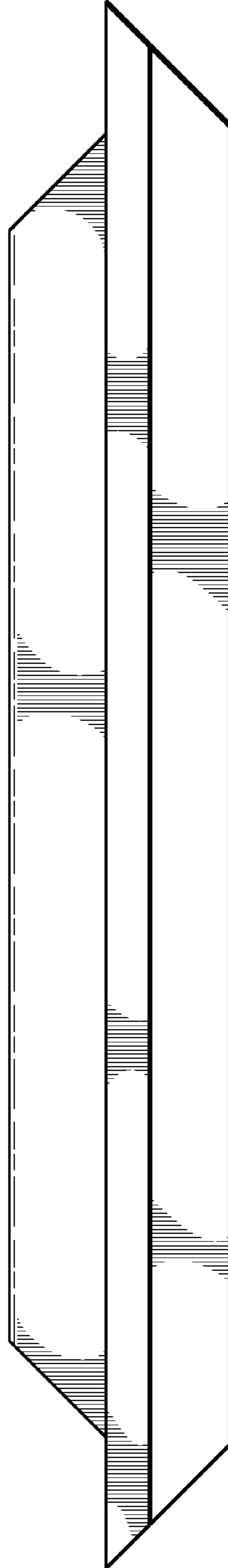


FIG. 3

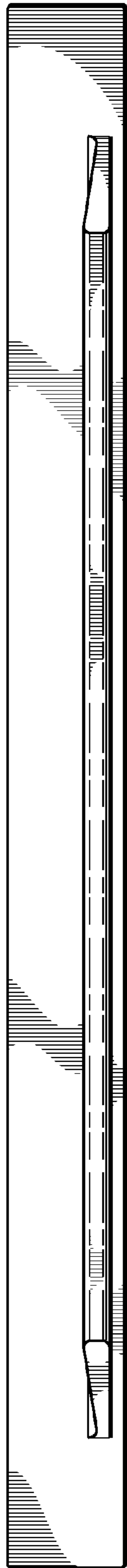


FIG. 6

