



(12) **United States Design Patent**
McKeone

(10) **Patent No.:** **US D641,454 S**
(45) **Date of Patent:** **** Jul. 12, 2011**

(54) **PLUMBING FITTING**

- (75) Inventor: **William C. McKeone**, Sheboygan, WI (US)
- (73) Assignee: **Kohler Co.**, Kohler, WI (US)
- (**) Term: **14 Years**
- (21) Appl. No.: **29/380,610**
- (22) Filed: **Dec. 8, 2010**

Related U.S. Application Data

- (62) Division of application No. 29/279,818, filed on May 8, 2007, now Pat. No. Des. 632,363.
- (51) **LOC (9) Cl.** **23-01**
- (52) **U.S. Cl.** **D23/238**
- (58) **Field of Classification Search** D23/200, D23/238-257; D6/512, 546, 550; D8/300, D8/307-308, 310-312, 321; 4/675-678; 137/599.01, 615, 801; 16/110.1, 441
See application file for complete search history.

(56) **References Cited**

U.S. PATENT DOCUMENTS

1,510,761	A	10/1924	Burman	
1,838,290	A	12/1931	Steckel	
D312,118	S	11/1990	Son	
D464,711	S	10/2002	Warszawsky	
D492,393	S	6/2004	Herring et al.	
D496,714	S *	9/2004	Warszawsky	D23/238
D496,715	S *	9/2004	Warszawsky	D23/238
D497,197	S	10/2004	Warszawsky	
D497,410	S *	10/2004	Warszawsky	D23/241
D508,551	S *	8/2005	Warszawsky	D23/241
D508,552	S *	8/2005	Warszawsky	D23/241
D534,992	S	1/2007	Lobermeier et al.	
D535,356	S	1/2007	Kuran et al.	
D540,435	S	4/2007	Wilcox et al.	
D551,324	S	9/2007	Wilcox et al.	
D560,762	S	1/2008	Eckhaus	
D562,947	S	2/2008	Zhang	
D576,705	S *	9/2008	McKeone	D23/238
D579,080	S *	10/2008	Zhang	D23/238

OTHER PUBLICATIONS

Kohler Co. "HiRise Deck-Mount Kitchen Pot Filler". Model No. K-7323-4. Kohler Co. online catalog. Copyright 2007 Kohler Co.
 Kohler Co. "Stillness Widespread Lavatory Faucet". Model No. K-942-4. Kohler Co. online catalog. Copyright 2007 Kohler Co.
 Danze. "Opulence" Pot Filler Kitchen Facuet. Faucet.com online catalog. Copyright 1994-2007 Decorative Product Source, Inc.
 Notice of Allowance, dated Oct. 8, 2010 for U.S. Appl. No. 29/279,818, filed May 8, 2007.

* cited by examiner

Primary Examiner — T. Chase Nelson

Assistant Examiner — Mark Cavanna

(74) *Attorney, Agent, or Firm* — Quarles & Brady LLP

(57) **CLAIM**

The ornamental design for a plumbing fitting, as shown and described.

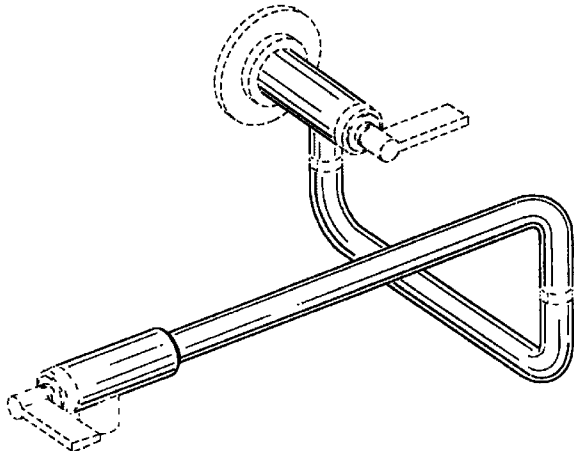
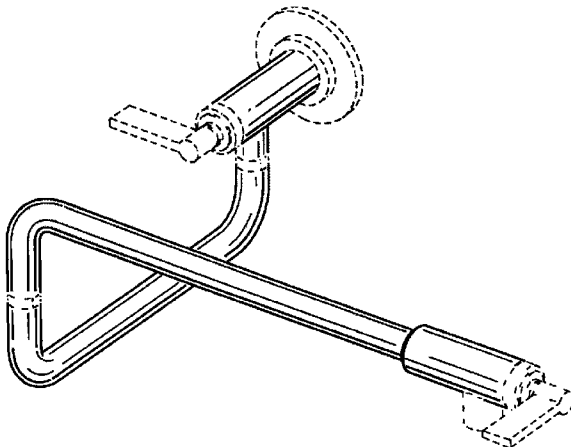
DESCRIPTION

FIG. 1 is a right, top, front perspective view of a plumbing fitting according to our new design;
 FIG. 2 is a front elevational view thereof;
 FIG. 3 is a right side elevational view thereof;
 FIG. 4 is a left side elevational view thereof;
 FIG. 5 is a top plan view thereof;
 FIG. 6 is a bottom plan view thereof; and,
 FIG. 7 is a left, top, front perspective view of a plumbing fitting according to another embodiment of our new design, the various views thereof being mirror images of the views shown in FIGS. 2-6.

The broken line representations in the figures, including broken line representations of handle and escutcheon environment, are for the purpose of illustration only, and form no part of the claimed design.

In a preferred embodiment, the nature of this product is a plumbing fitting in the form of a body for a faucet such as a pot filler used to spray water into tall cookware.

1 Claim, 4 Drawing Sheets



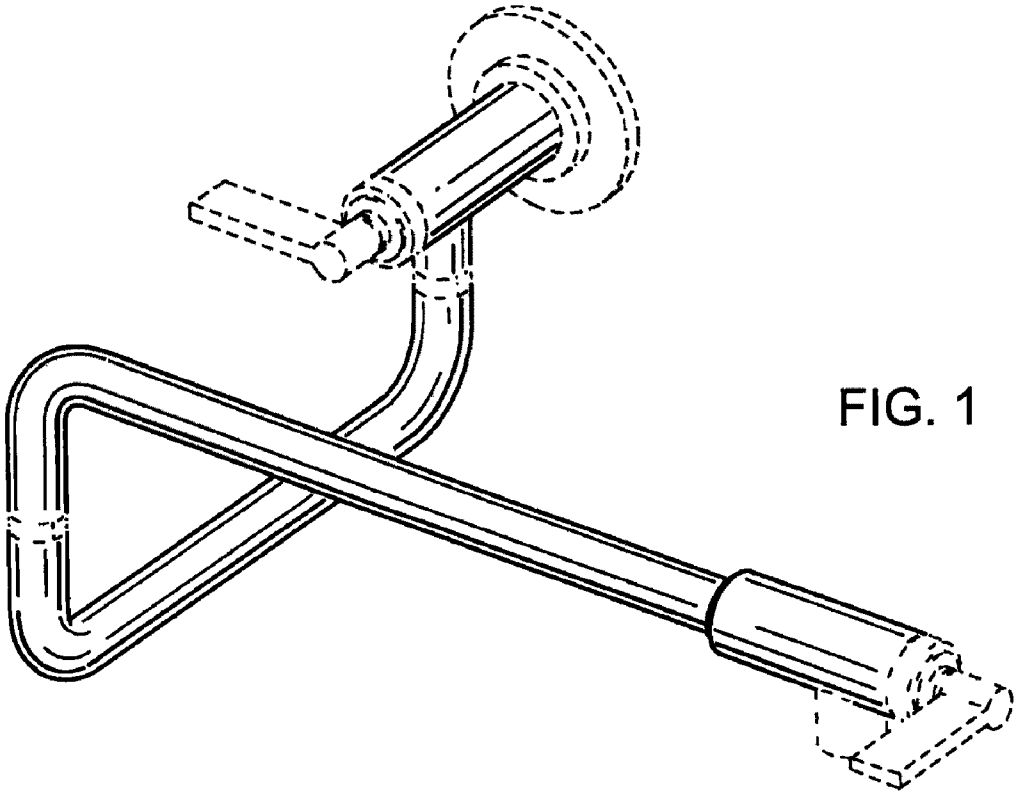


FIG. 1

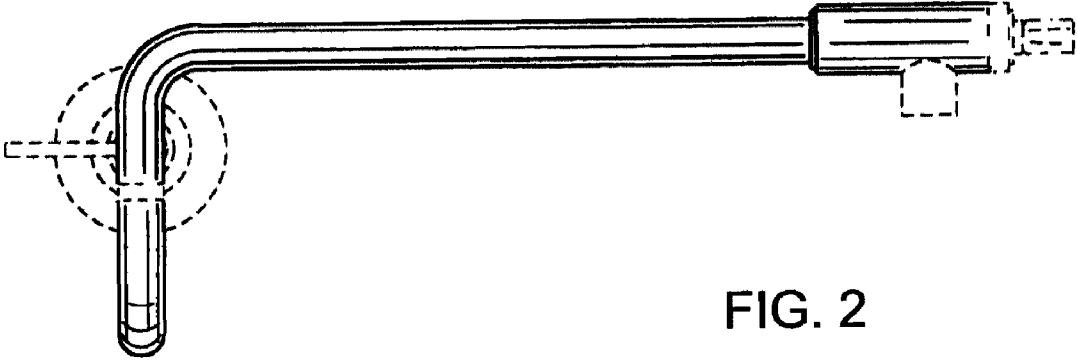


FIG. 2

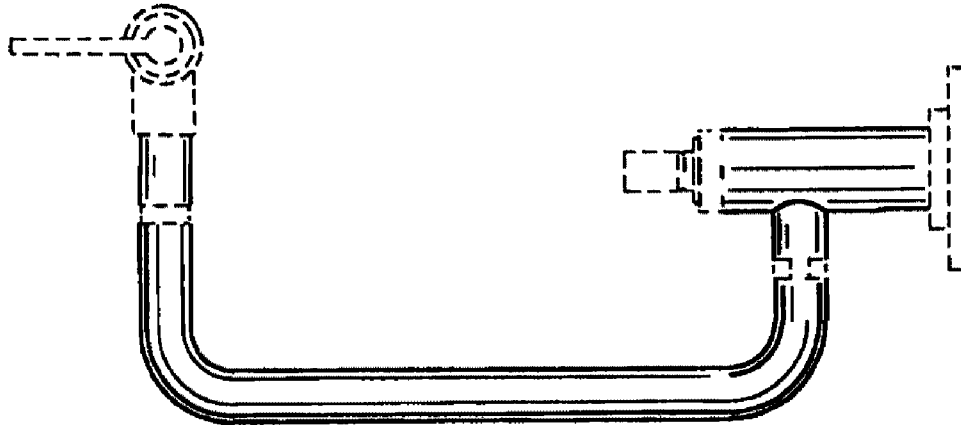


FIG. 3

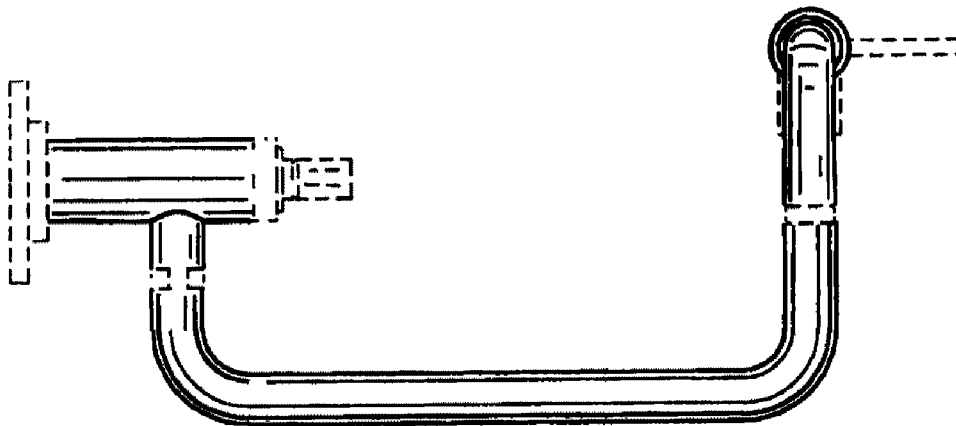


FIG. 4

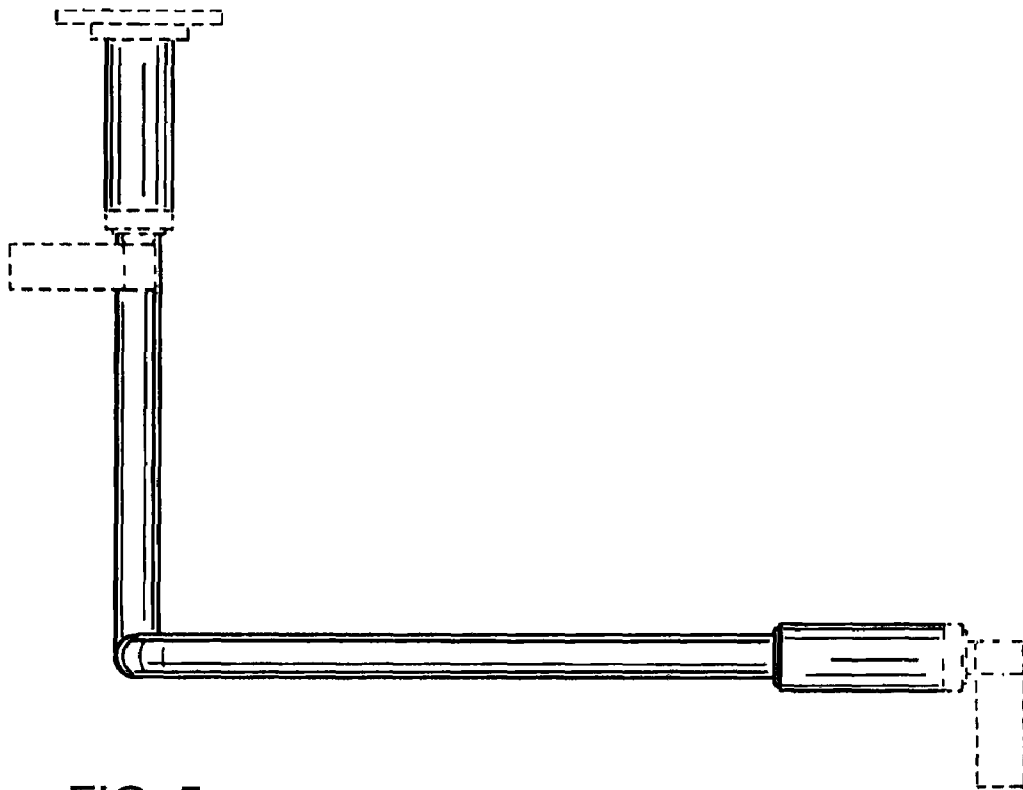


FIG. 5

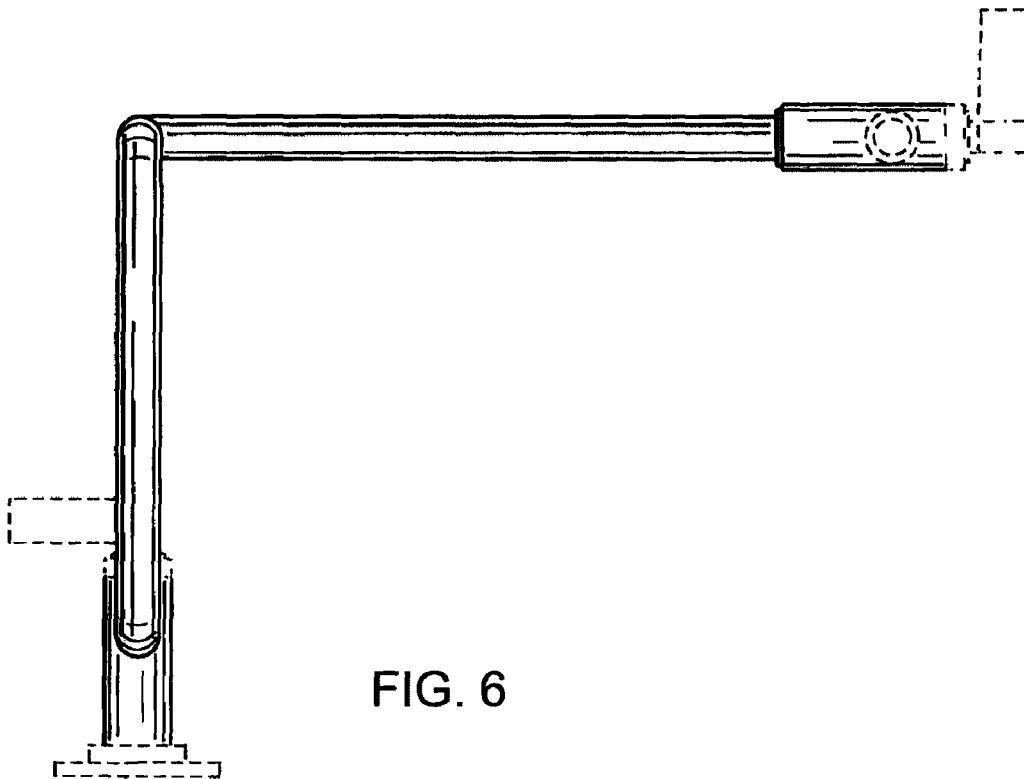


FIG. 6

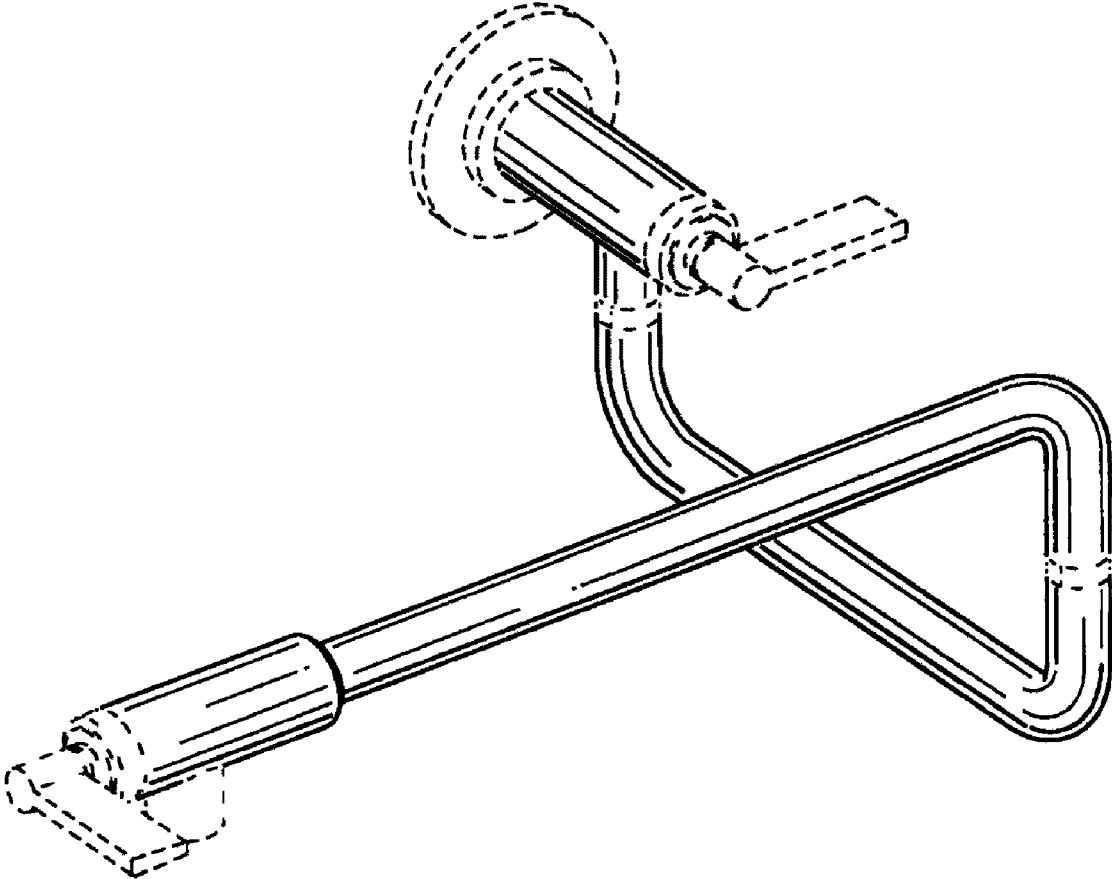


FIG. 7