

[54] PACKAGING CONTAINER

[76] Inventor: Bruce E. Singer, 17752 Mitchell North, Irvine, Calif. 92714

[\*\*] Term: 14 Years

[21] Appl. No.: 579,105

[22] Filed: Feb. 10, 1984

Related U.S. Application Data

[63] Continuation-in-part of Ser. No. 545,454, Oct. 26, 1983.

[52] U.S. Cl. .... D9/423; D9/426; D9/430

[58] Field of Search ..... D9/414, 420, 423, 424, D9/425, 426; 220/1 R, 200; 229/30, 1.5 R, 2.5 R, 6 R, 44 R

References Cited

U.S. PATENT DOCUMENTS

- D. 199,819 12/1964 Palson ..... D9/420
- D. 241,822 10/1976 Jewell ..... D9/423
- D. 254,776 4/1980 Edwards ..... D9/426
- D. 274,889 7/1984 Sullivan ..... D9/426
- D. 278,412 4/1985 Yeung ..... D9/420

- 1,975,128 10/1931 Sherman ..... D9/426 X
- 3,317,097 5/1967 Giordano ..... 206/315.11 X

OTHER PUBLICATIONS

Modern Packaging Encyclopedia, 1949, p. 294, Box shaped like outline of California at top left of page.

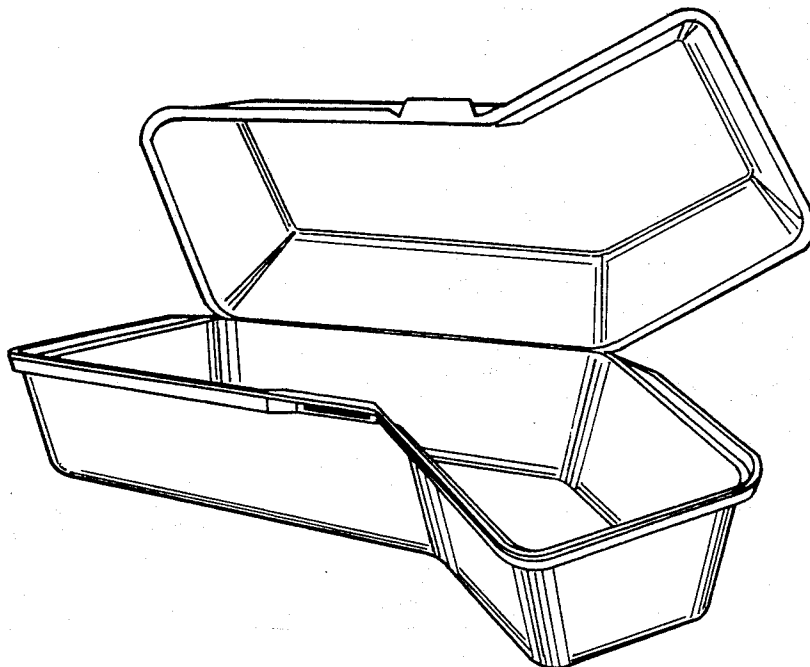
Primary Examiner—Robert C. Spangler  
Attorney, Agent, or Firm—Plante Strauss Vanerburgh

[57] CLAIM

The ornamental design for a packaging container, as shown and described.

DESCRIPTION

FIG. 1 is a top plan view of a packaging container showing my new design;  
 FIG. 2 is a bottom plan view;  
 FIG. 3 is an end elevational view as seen from the upper end of FIG. 1;  
 FIG. 4 is a view showing the end opposite that seen in FIG. 3;  
 FIG. 5 is a view looking from the right of FIG. 4;  
 FIG. 6 is a view looking from the right of FIG. 4;  
 FIG. 7 is a top perspective view in an open position; and  
 FIG. 8 is a top perspective view in a closed position.



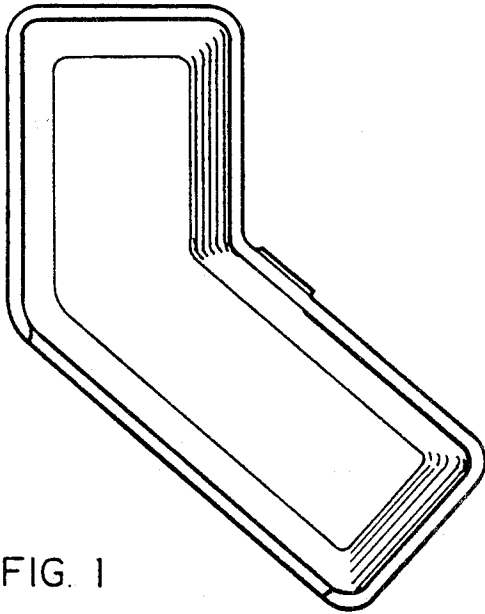


FIG. 1

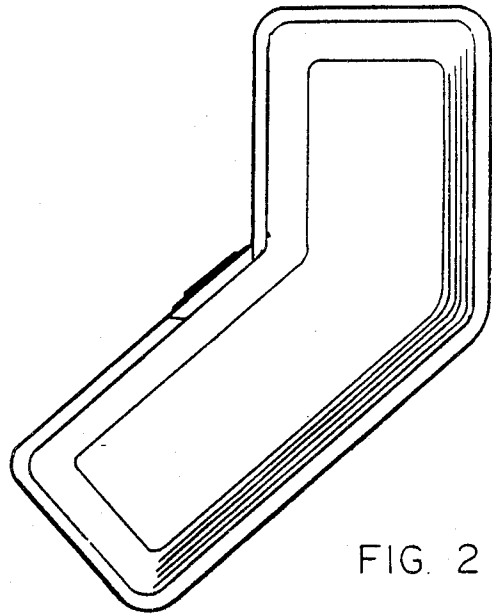


FIG. 2

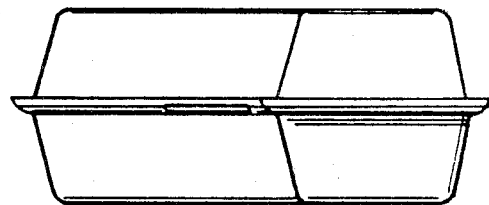


FIG. 3

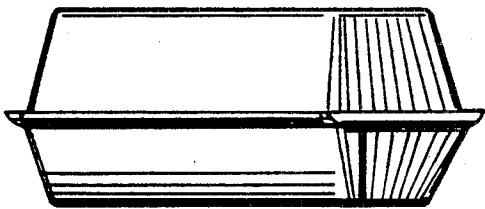


FIG. 4

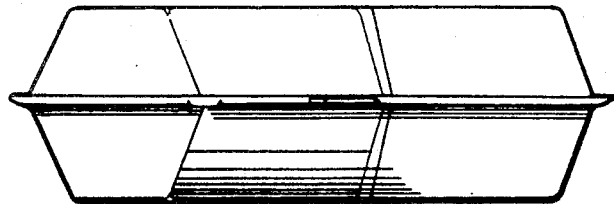


FIG. 5

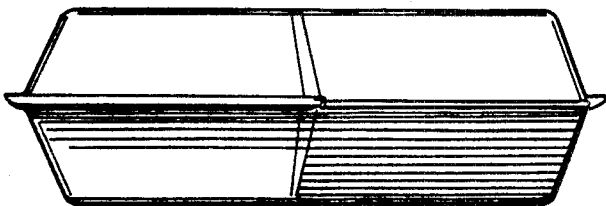


FIG. 6

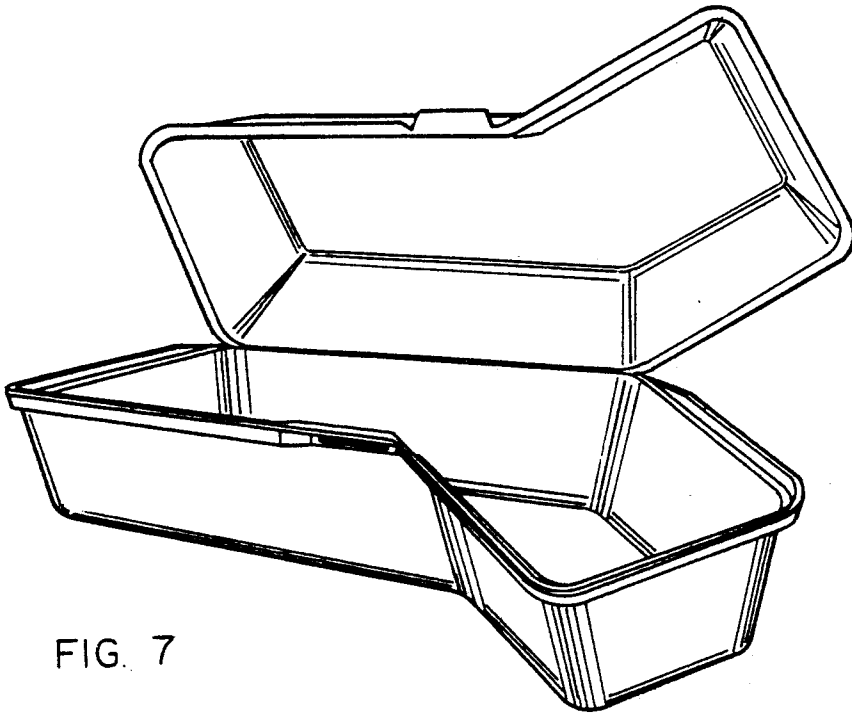


FIG. 7

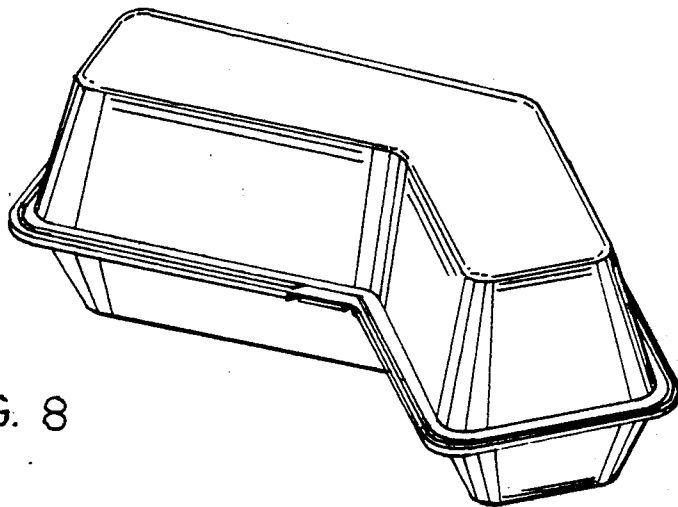


FIG. 8