

(19)
(12)

(KR)
(B1)

(51) 。 Int. Cl. ⁶
G06F 13/00

(45)
(11)
(24)

2001 11 30
10 - 0306697
2001 08 13

(21) 10 - 1998 - 0029727
(22) 1998 07 23

(65) 2000 - 0009370
(43) 2000 02 15

(73)

3 416

(72)

1 102 1802

(74)

:

(54)

USB USB , AC
/ /
/ . USB USB
.4

1 USB ;

2 USB ;

3a 3b 2 ;

4 USB ;
 5a 5b 4 ;
 6 4 ;
 7 4 USB ;
 8 USB ;
 9 8 ;
 10 8 USB .

* *

102 : AC 104 :
 106 : DC/DC 108, 308 :
 110, 310 : USB 112, 312 : USB
 114, 314 : I/O 116 :
 118, 318 : 120, 320 : CPU
 322 : CMOS

USB

USB , AC
 USB

AC

USB(Universal Serial Bus)
 ered device)

(self pow
 (bus powered device)

1 (10) (root hub)
 USB (12, 14) USB (12, 14) USB (, USB ,
 USB USB)(20, 30) USB 가

USB (20, 30) USB (12, 14) (p)
 lug and play : PNP)
 가 ,
 USB USB ()

, USB (high power state) (low power state) USB 100 mA
 , USB 500 mA 가 .
 USB (BIOS) 가
 USB USB 가 USB
 가

2 , USB (4) AC (2) DC/D
 C (6) USB DC (, 4.75 ~ 5.25 V) USB
 (12) USB (20) (7) USB (12)
 가 가 USB

3a 3b (current limiting circuit)(7) (7a)
 (7b)()

3b (7b) (4) AC (2) DC/DC (6)
 USB (12) 가 USB (8b) (DETECT_over)
 , USB (8b) (SHUTDOWN)

2 () USB

plug) CPU() USB
 USB (12) USB (20)가 , USB (20) - (hot -
 USB (20) 가 USB (20)
 (4) 가 (4)
 USB (12) 가

, USB USB

CMOS USB USB

USB

가 , ; , AC 가 : AC AC
 ; AC 가 , ; 가 , AC
 1 , 2 ; 1 1 2 ,
 .
 가 , : ; , AC
 3 . ;
 가 , : ; , AC
 .
 , CMOS .
 , : ;
 1 ; ,
 , ; ; ,
 ; ; 2
 .
 가 , : AC
 , AC
 가 , .
 , : AC AC
 ; AC 가 : AC AC
 ; AC 가 , ;
 2 , ; 1 1 2 ,

가 , : ; , AC
3 . ;

가 , : ; , AC
; .

1 , : ;
, ; 2

가 , : AC
가 , AC

; : , AC 가
AC 2 가 , 1 ;
2 ; 1 , 2 .

: , AC 가
가 , 1 AC ; AC 가 ,
2 ; 1 ,
2 .

, USB
 USB
 USB
 CMOS
 AC
 USB
 가
 ,
 가

4 USB
 , AC (102) (140)
 (122, 124, 128) (126) 3 (116) . AC (102)가
 , (126) AC (102) DC (DC_ADAPTER)
 (ADAPTER_IN#)
 (ADAPTER_IN#) USB (112) (150)
 CPU(120) (118) I/O (114) USB (110) . I/O (11
 4) (ON/OFF#) USB (112) / (108)

CPU(120) 3 (116) (Data) (ADAPTER_IN#)
 AC (102)가 (102)가 (118)
 3 (116) (ADDR) (WRITE)
 (ADAPTER_IN#) I/O (114) I/O

(118) CPU(120) (ADDR) (WRITE) 3 (116)
 / (108) / (ON/OFF#) I/O (114) / (ON/OFF#)

I/O (114) (ADAPTER_IN#) I/O
 (108) / (ON/OFF#)

(108) / (ON/OFF#) USB (112) /
 (108) 5a (,)
 5b (108b) USB (112) (108b)
 (DETECT_over) USB 가 (110) USB (110)
 USB (112) (108b) (DETECT_over)
 (SHUTDOWN#) (108b) I/O (114)
 / (ON/OFF#) USB (110) (SHUTDOWN#) USB (11
 2) (108b) I/O (114) / ((

ON/OFF#) USB (110) (SHUTDOWN#)
 USB (112) /

6 4 (140) (116a)
 (ADAPTER_IN#) CPU(120) (INTERRUPT) . CPU(
 120) (INTERRUPT) I/O (114) / (ON/OFF#)
 (ADDR) (WRITE)

7 4 USB CPU(120)

S200 S202 CPU(120) AC (102)가
 , AC (102)가 (ADAPTER_IN#)가
 S208 (118) I/O (114) (108)
 (ON#) , CPU(120) 3 (116) (116b)
 (ADDR) (WRITE) , I/O (114) (A
 DAPTER_IN#) (ON#) (118) (O
 N#) S210 (ON#) (108) USB (112)

S202 AC (102)가 (ADAPTER_IN#)
 S204 CPU(120) I/O (114) (OFF#) S2
 06 (108) (OFF#) USB (112)

USB AC (102)
 I/O (114) USB (112) (104)
 / (ON/OFF#) USB I/O (114)

8 (BIOS)
 USB 가 USB

CPU(320) CMOS (322) CP
 U(320) (READ, WRITE) (ADDR)
 (318) / (ON/OFF#) I/O (314)
 I/O (314) (ON/OFF#) USB (312) /
 (308) USB (312) USB (310)

CPU(320) (318) I/O (314) USB (310) USB
 (312) (350)

(308) (F) (308)
 9

9 (308b) I/O (314) / (ON/OFF#)
 USB (310) (SHUTDOWN#) USB (312)
 , (308b) I/O (314) / (ON/OFF#)
 USB (310) (SHUTDOWN#) USB (312)
 /

10 , S400 S402 CPU(320)
 , USB (312) , S404 USB (312) 가 /
 (ON#) , S412 (ON#) S410 I/O (314)
 USB (312) , S406 I/O (314)
 (OFF#) , S408 USB (312)
 , USB (on) / , USB USB

, USB AC USB /
 , USB , USB

(57)

1.

:

AC ;
 가 AC 가 , , AC ;
 ;
 AC 가 , ;

1 , 2

;

1 2

2.

1 ,
 :
 ;

, AC 가

;

3

3.

1

,

:

;

, AC 가

;

4.

1

,

:

1

;

,

;

,

;

2

5.

1

,

:

AC

가

,

6.

:

AC 가

;

;

,

1

;

AC

2

가

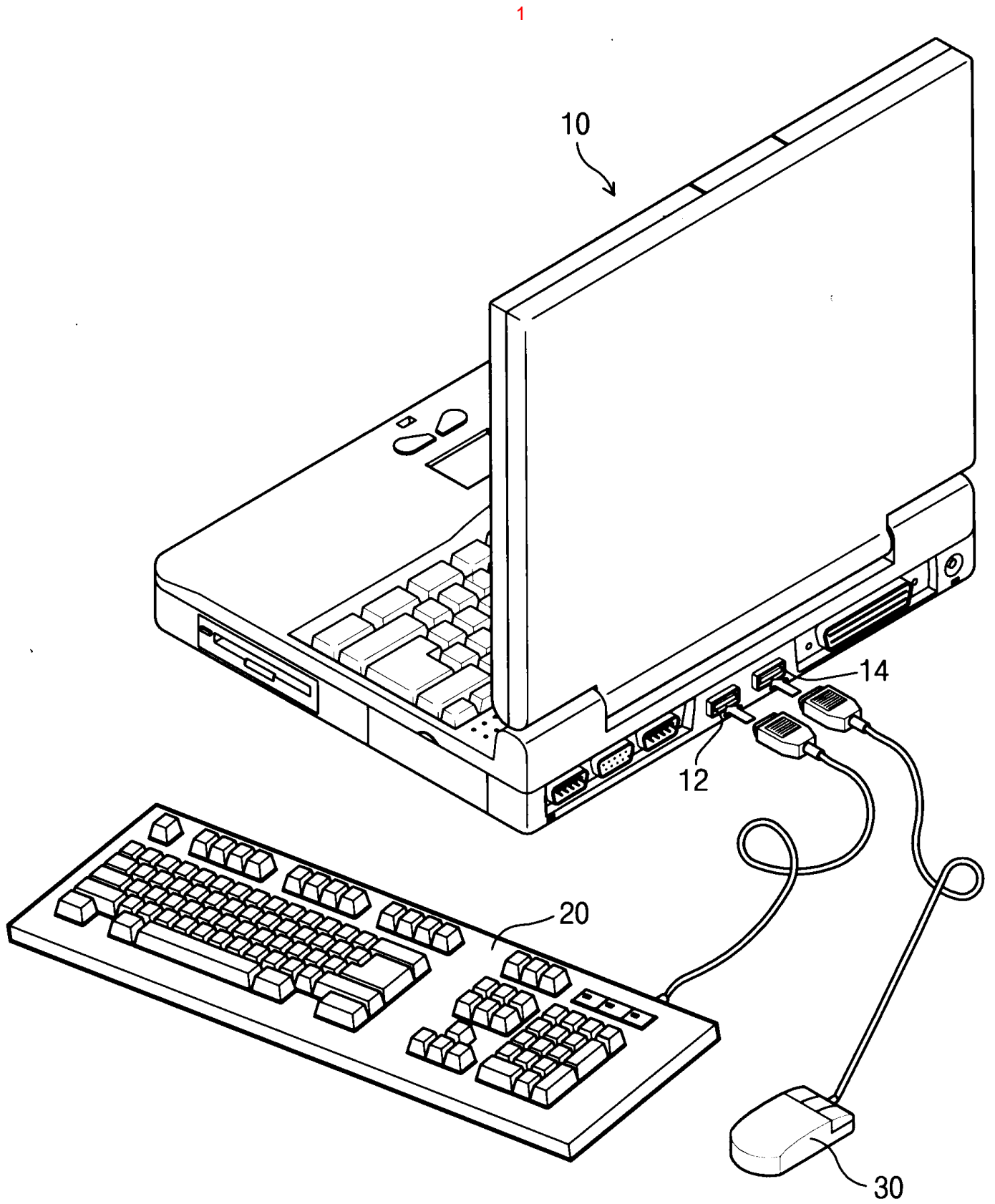
,

;

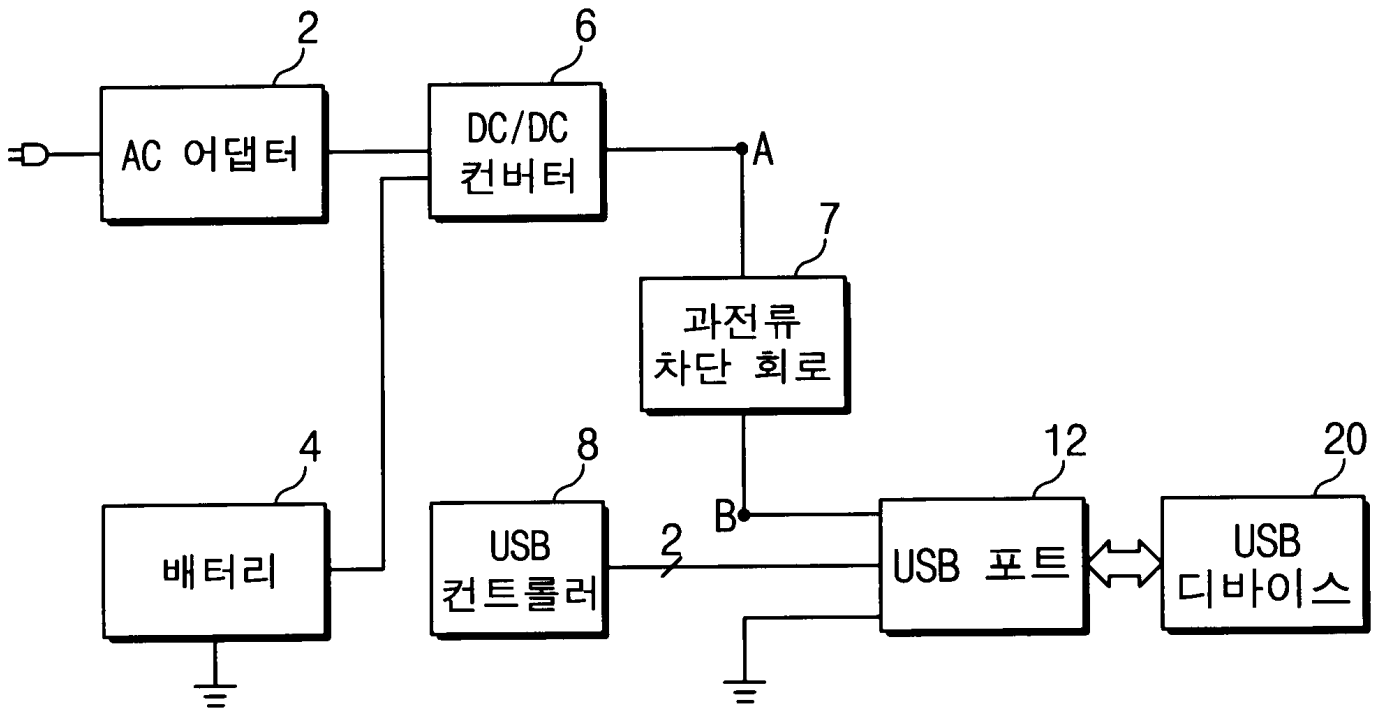
1

2

.

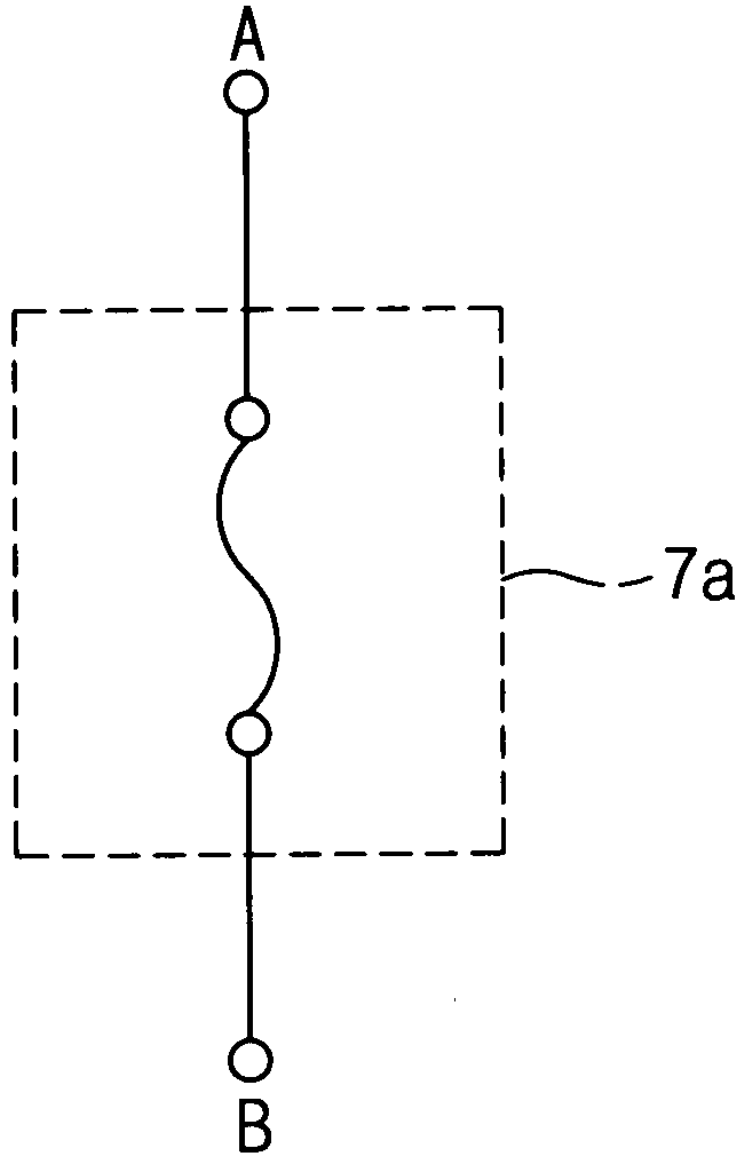


(종래기술)



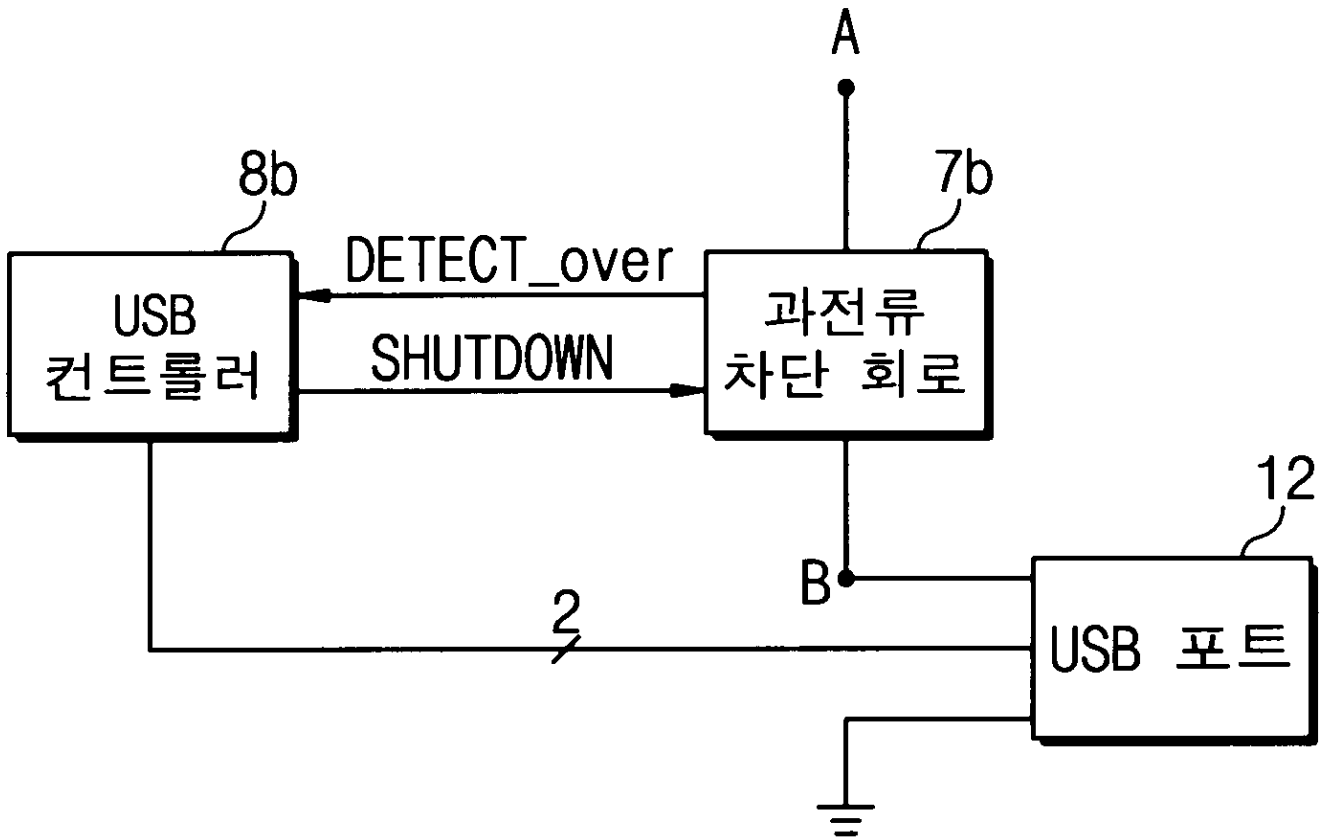
3a

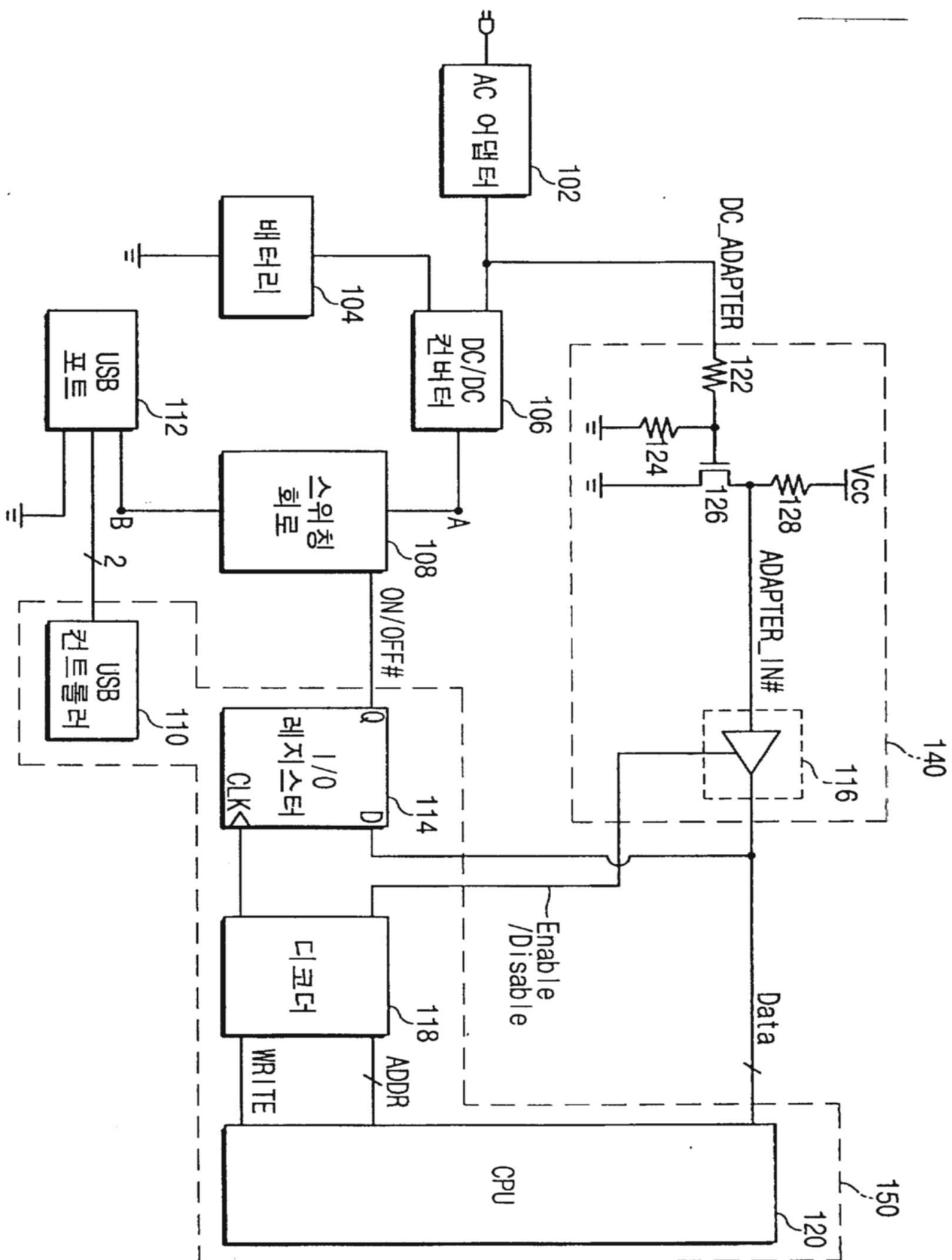
(종래기술)



3b

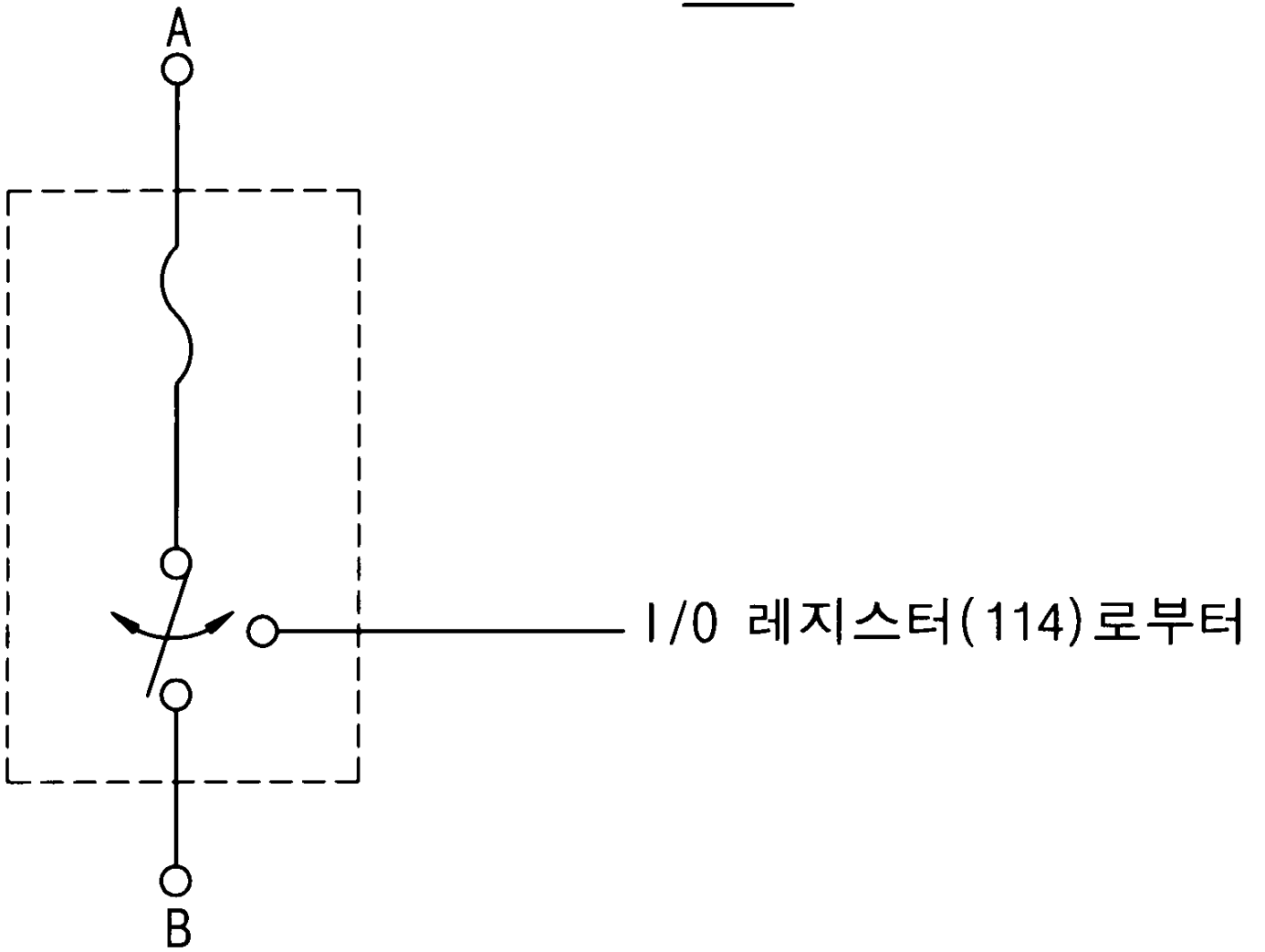
(종래기술)





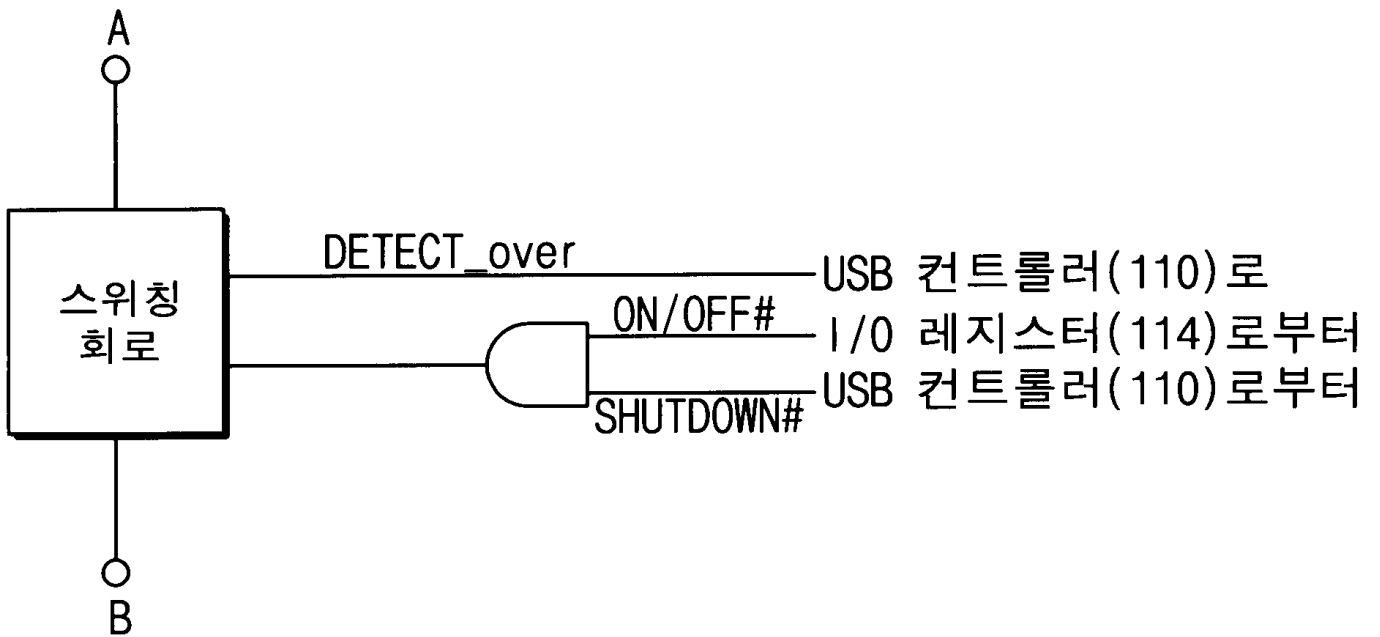
5a

108a



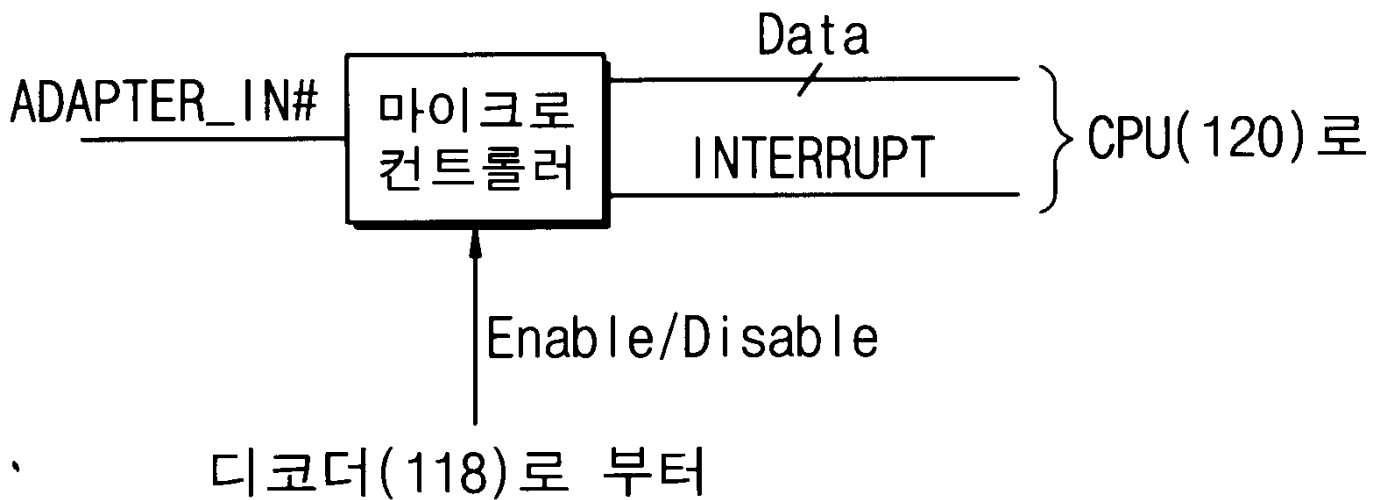
5b

108b

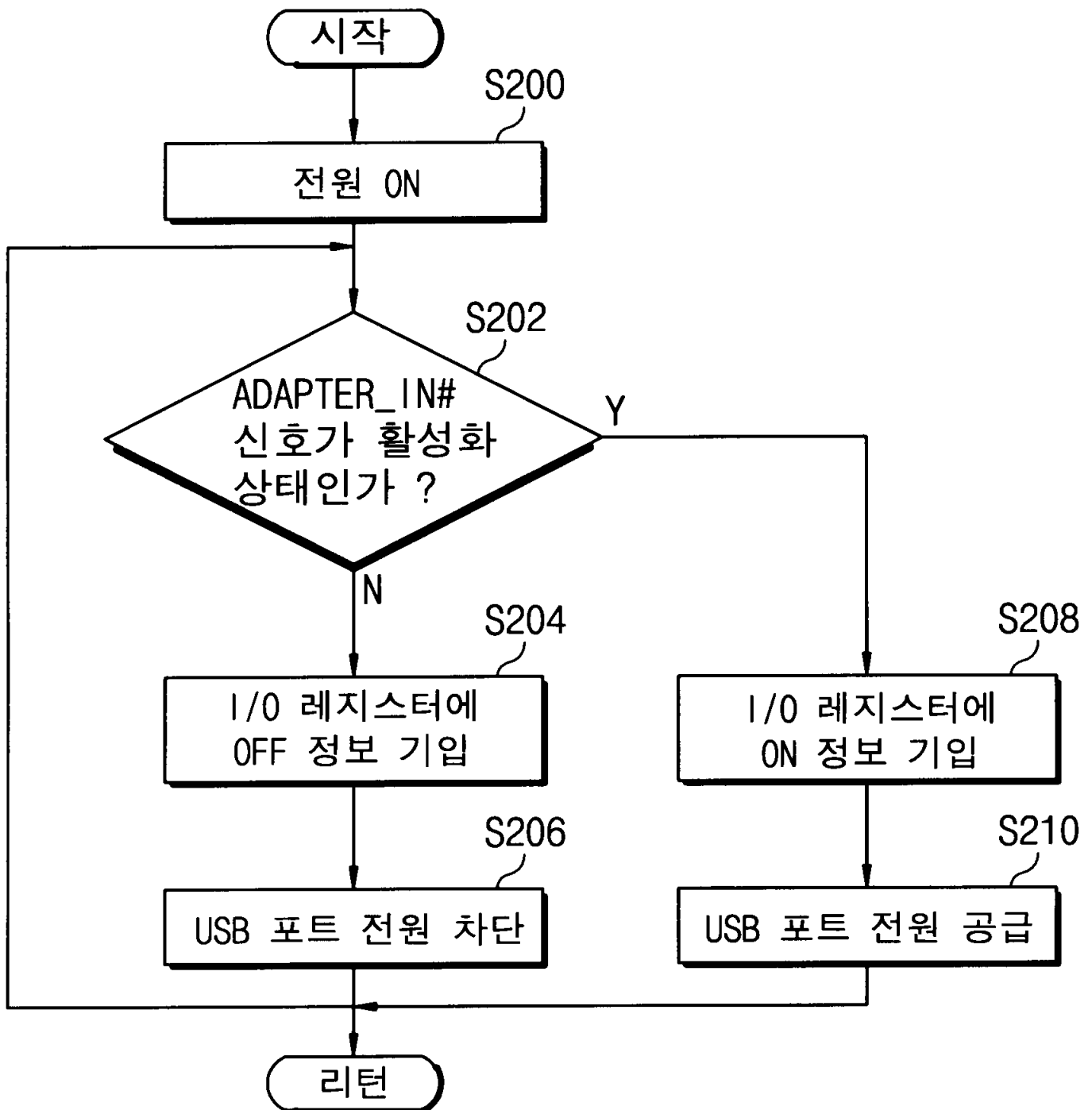


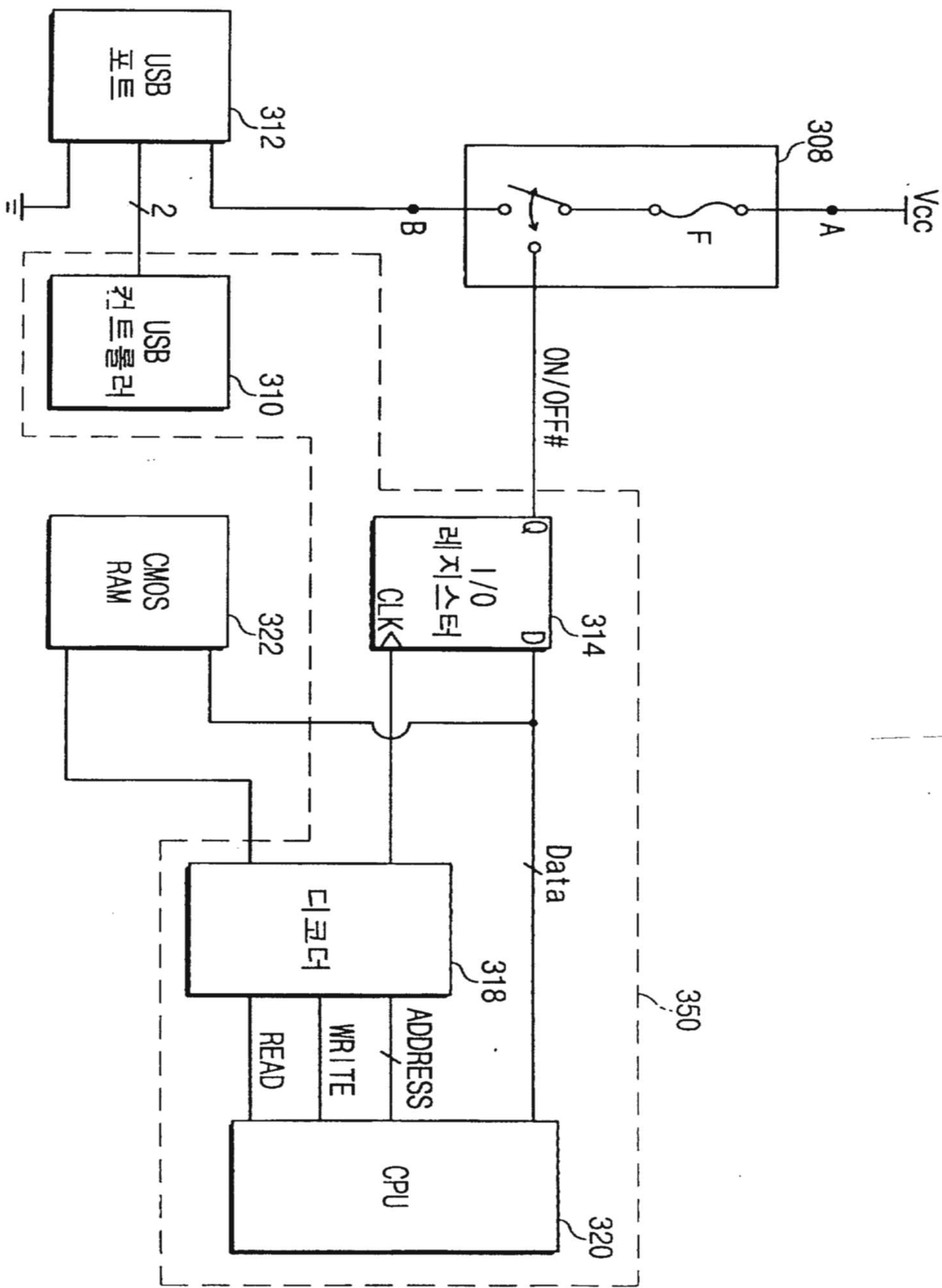
6

116a



7





308a

