



US00D597144S

(12) **United States Design Patent**
Myers

(10) **Patent No.:** **US D597,144 S**

(45) **Date of Patent:** **** Jul. 28, 2009**

(54) **GAMING MACHINE LAYOUT**

(75) Inventor: **Gordon H. Myers**, Reno, NV (US)

(73) Assignee: **Bally Gaming, Inc.**, Las Vegas, NV (US)

(**) Term: **14 Years**

(21) Appl. No.: **29/327,996**

(22) Filed: **Nov. 17, 2008**

(51) **LOC (9) Cl.** **21-03**

(52) **U.S. Cl.** **D21/370**

(58) **Field of Classification Search** D14/304–306;
D21/324–332, 369–370, 385; 273/274; 463/16–17,
463/20, 25, 42, 46–47

See application file for complete search history.

(56) **References Cited**

U.S. PATENT DOCUMENTS

- 5,857,910 A * 1/1999 Watanabe et al. 463/17
- D458,310 S * 6/2002 Lynch D21/369
- D512,996 S * 12/2005 Hopman et al. D14/306

- D523,093 S * 6/2006 Kaminkow et al. D21/369
- D572,770 S * 7/2008 Seelig et al. D21/385
- 2006/0073868 A1* 4/2006 Nordman 463/16

* cited by examiner

Primary Examiner—Sandra Morris

(74) *Attorney, Agent, or Firm*—Susan E. Money

(57) **CLAIM**

The ornamental design for a gaming machine layout, as shown and described.

DESCRIPTION

FIG. 1 is a perspective view of a gaming machine layout, showing my new design;

FIG. 2 is an additional perspective view thereof;

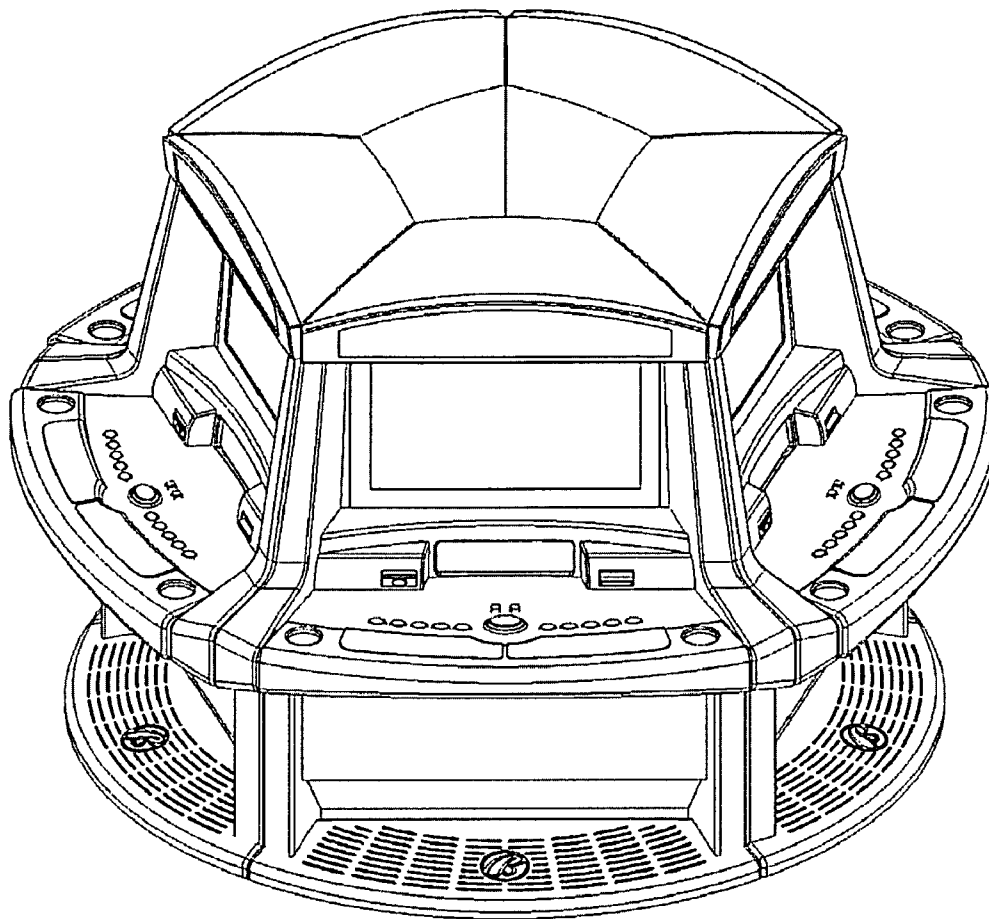
FIG. 3 is a top view thereof;

FIG. 4 is a front elevational view thereof; and,

FIG. 5 is a rear elevational view thereof.

Broken lines illustrate features or environmental components that are not part of the design sought to be patented.

1 Claim, 4 Drawing Sheets



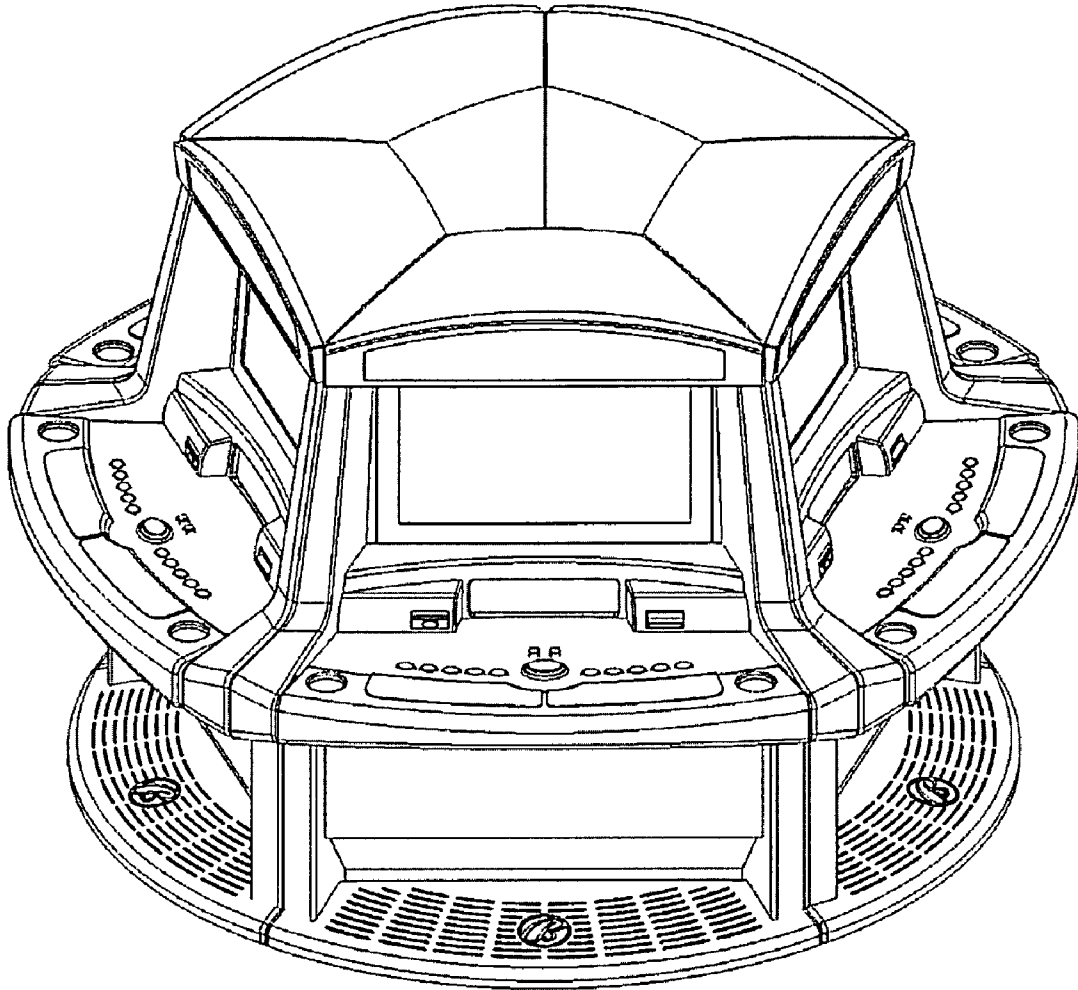


FIG. 1

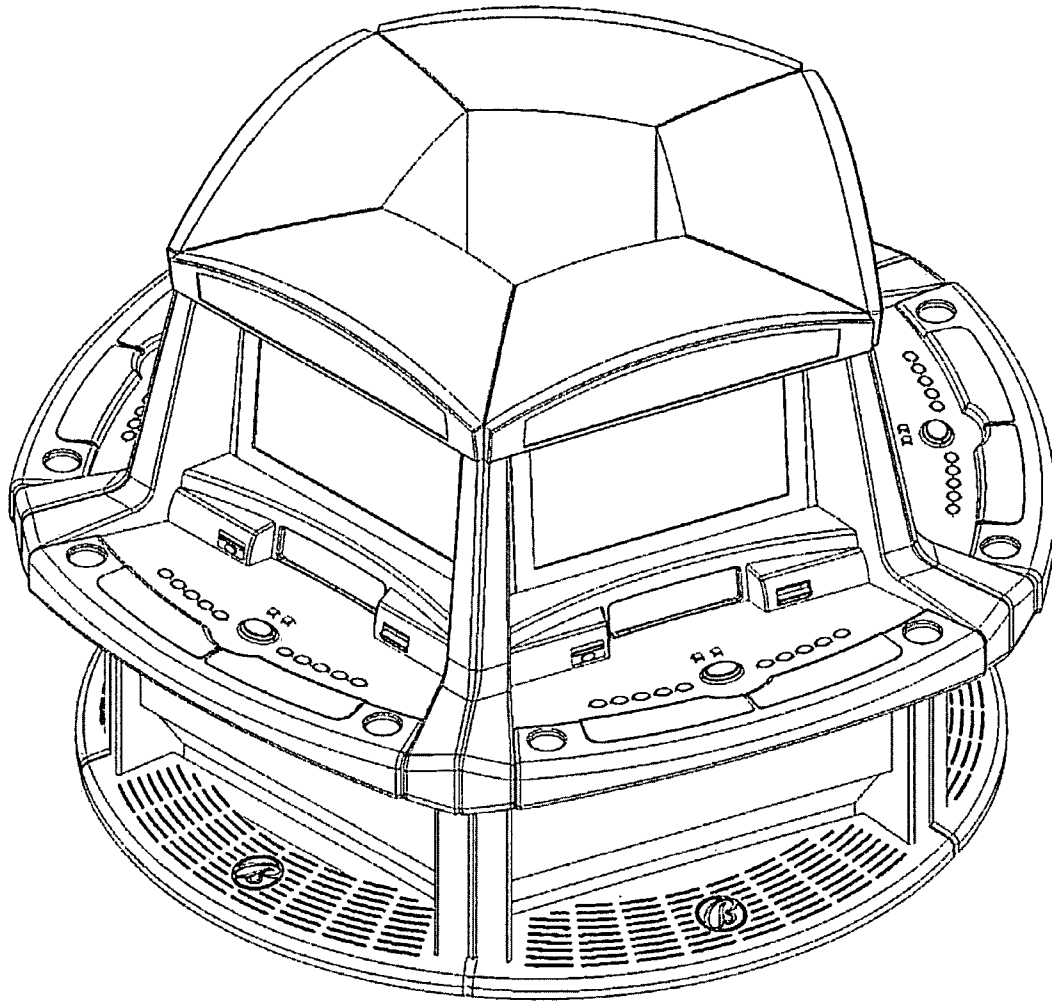


FIG. 2

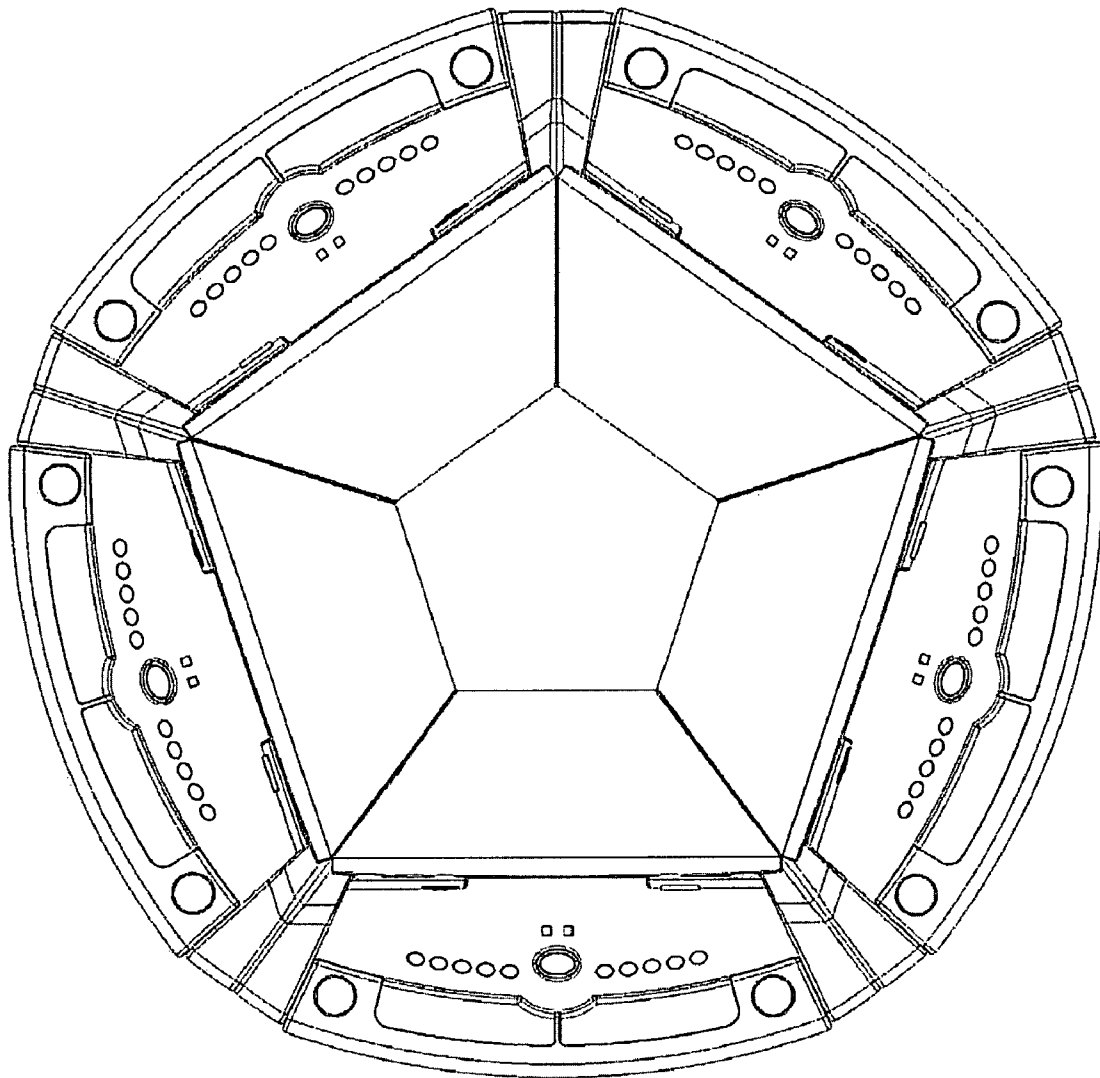


FIG. 3

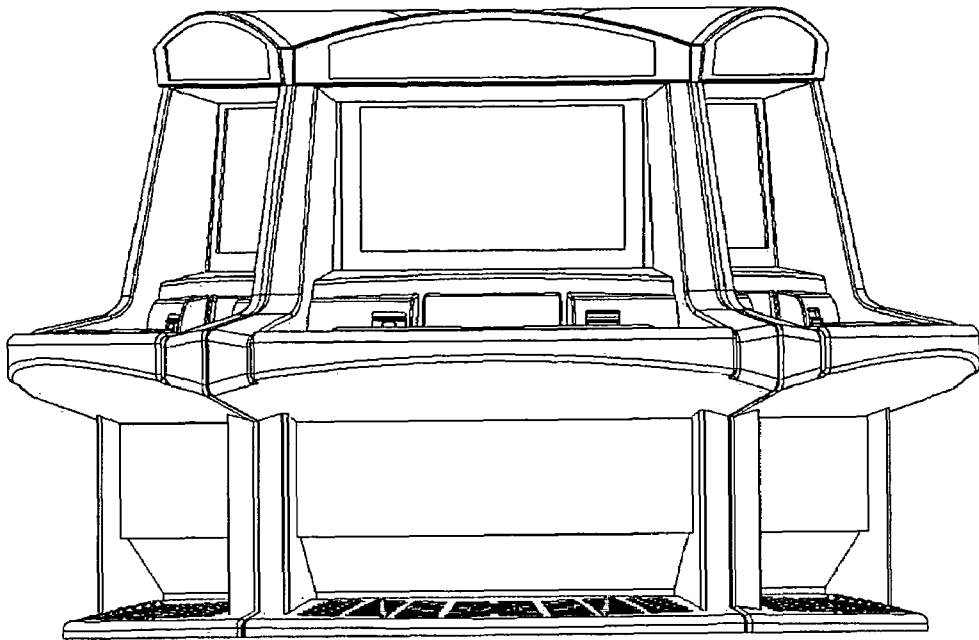


FIG. 4

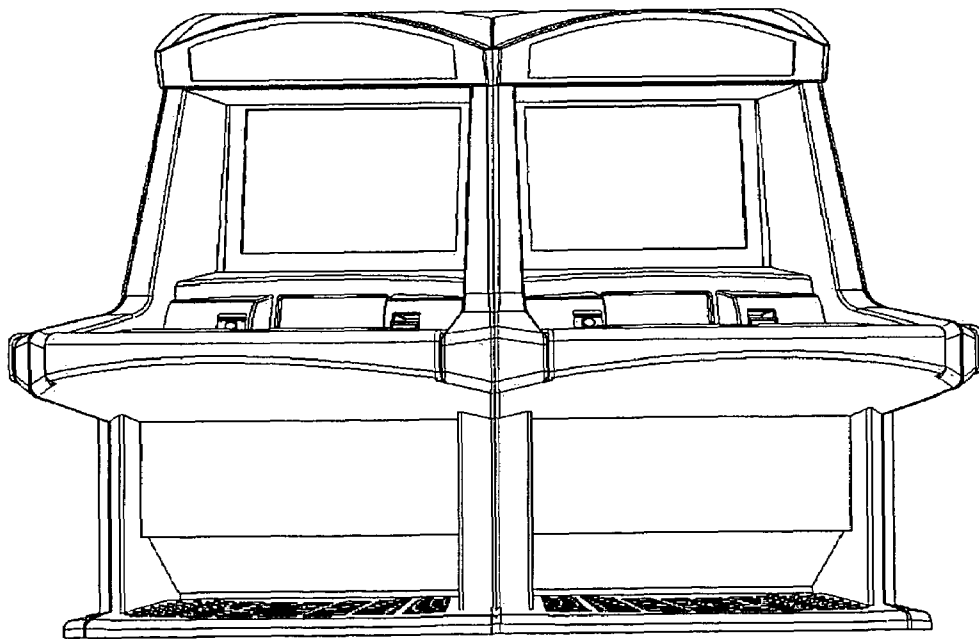


FIG. 5