

FIG. 4 is a left-side elevational view thereof;
FIG. 5 is a right-side elevational view thereof;
FIG. 6 is a top plan view thereof; and,
FIG. 7 is a bottom plan view thereof.
The broken lines illustrate portions of the accessory for a
hairdryer that form no part of the claimed design.

1 Claim, 7 Drawing Sheets

(56)

References Cited

U.S. PATENT DOCUMENTS

D811,009	S *	2/2018	Smith	D28/13
D814,700	S *	4/2018	Rosenzweig	D28/18
D835,344	S *	12/2018	MacPherson	D28/18

D861,246	S *	9/2019	Hsu	D28/13
D865,286	S *	10/2019	Atkinson	D28/18
D869,763	S *	12/2019	Atkinson	D28/19
D872,935	S *	1/2020	Kang	D28/18
10,722,017	B1 *	7/2020	Abehasera	A45D 20/124
D896,440	S *	9/2020	Lim	D28/18
10,874,186	B2 *	12/2020	MacPherson	A45D 20/12
10,918,184	B1 *	2/2021	Abehasera	G01S 17/08
D927,780	S *	8/2021	Carlucci	D28/18
D954,347	S *	6/2022	Kang	D28/18
2013/0232809	A1 *	9/2013	Vasquez	A45D 20/00
					34/97
2014/0007450	A1 *	1/2014	Yao	A45D 20/04
					34/97
2019/0098979	A1 *	4/2019	Atkinson	A45D 20/122
2019/0098980	A1 *	4/2019	Atkinson	A45D 20/122
2021/0137239	A1 *	5/2021	Carlucci	A45D 20/122
2021/0289909	A1 *	9/2021	Kirkbride	A45D 20/12
2021/0298445	A1 *	9/2021	Courtney	A45D 20/50

* cited by examiner

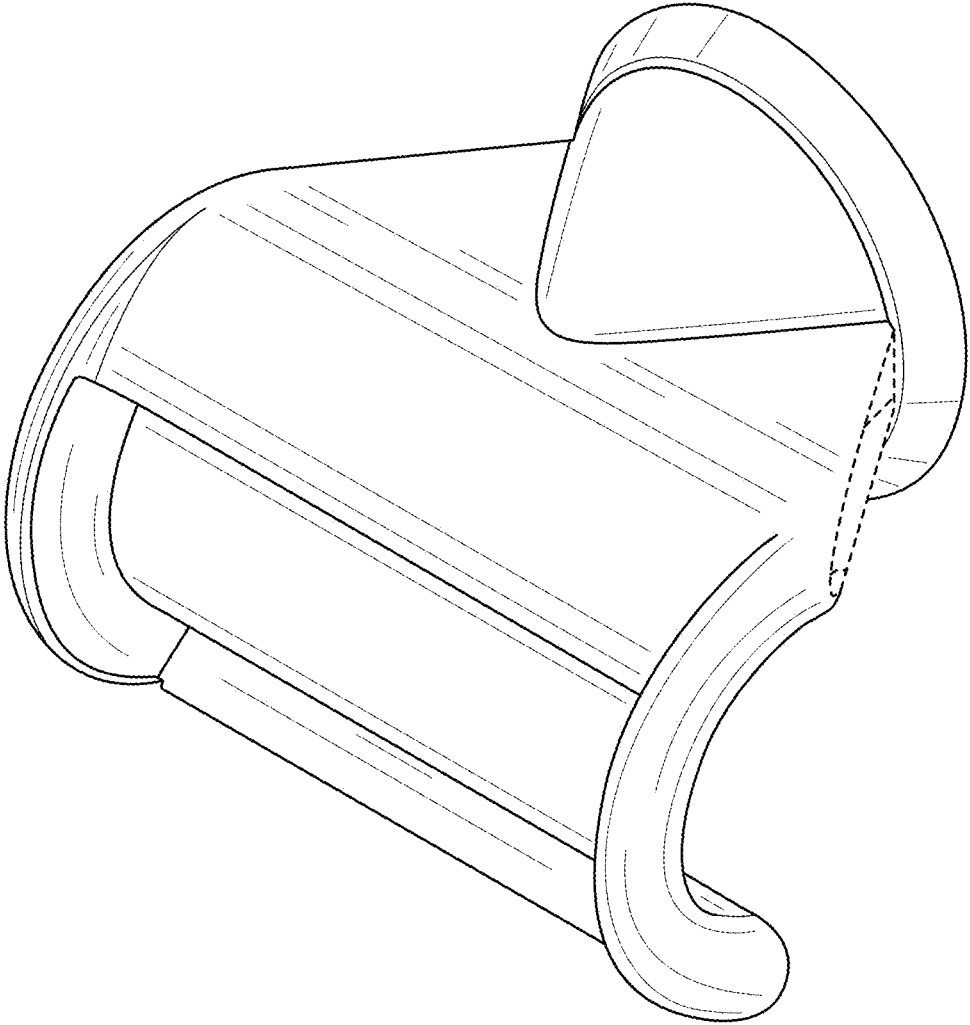


FIG. 1

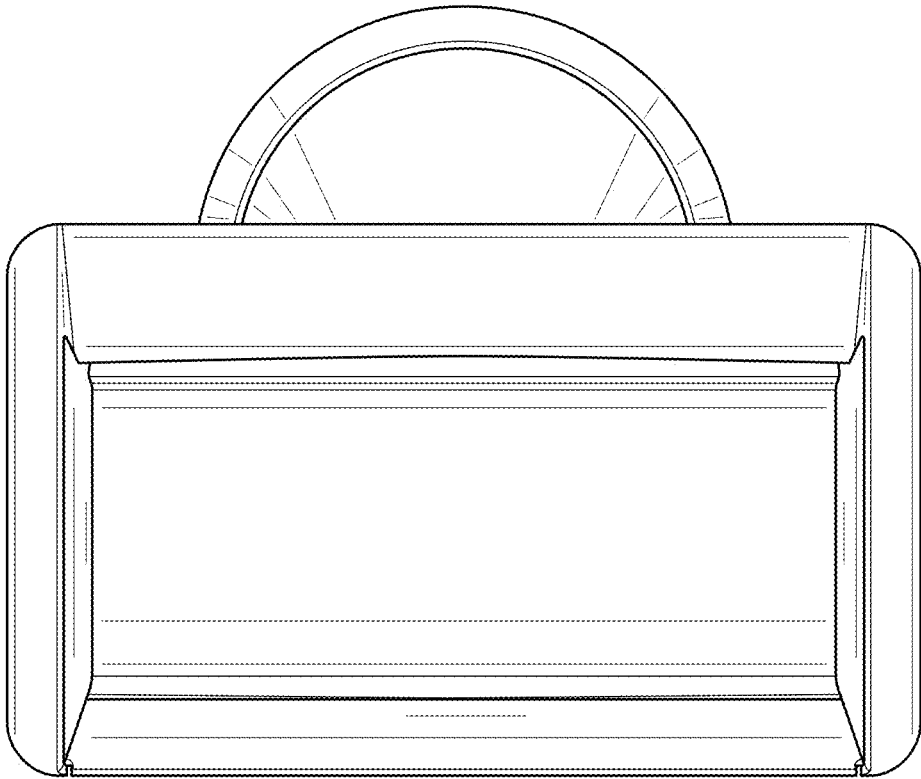


FIG. 2

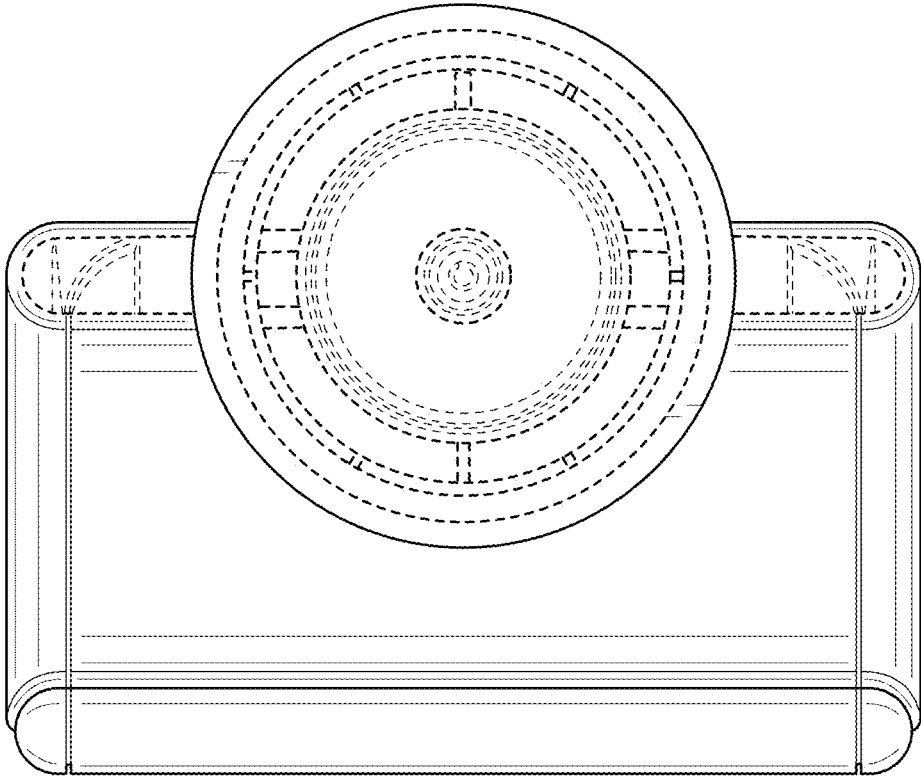


FIG. 3

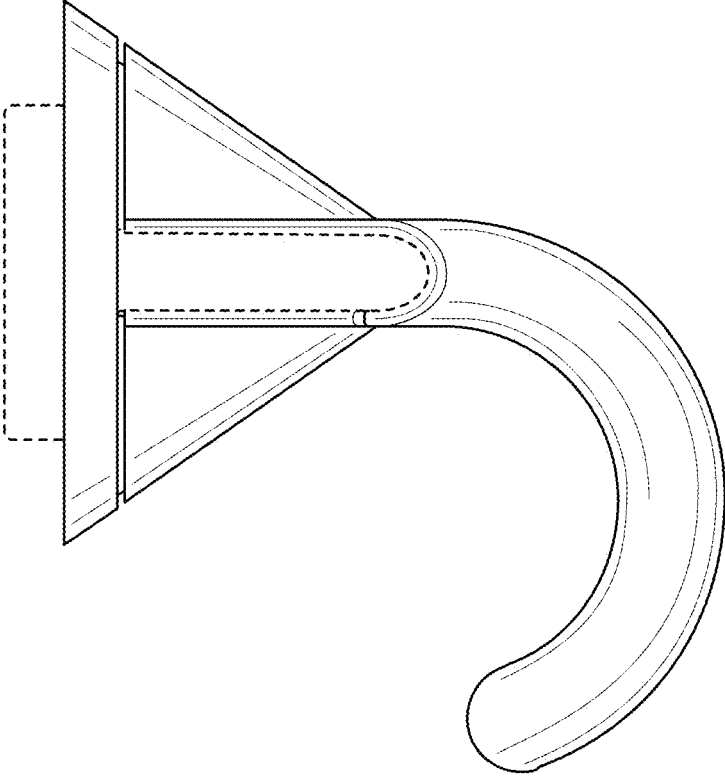


FIG. 4

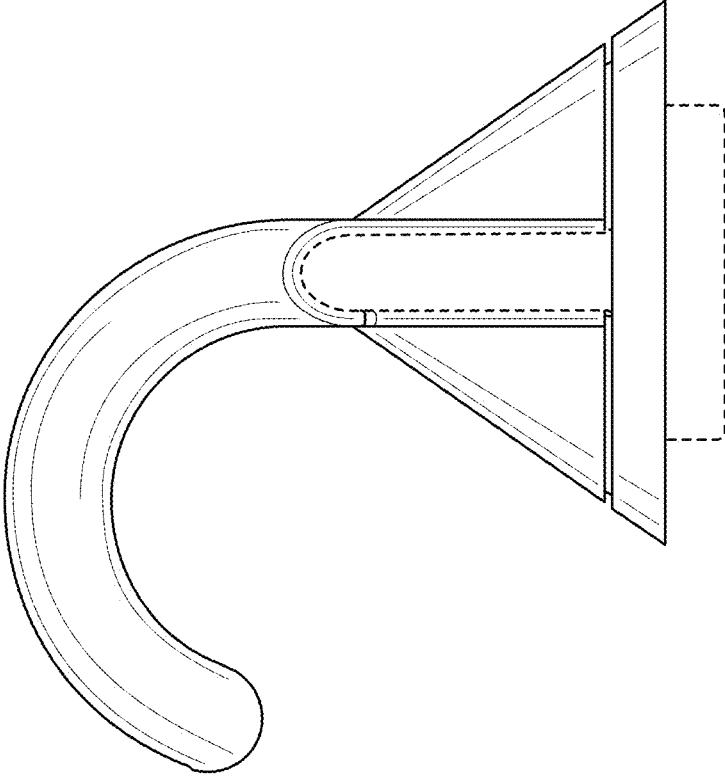


FIG. 5

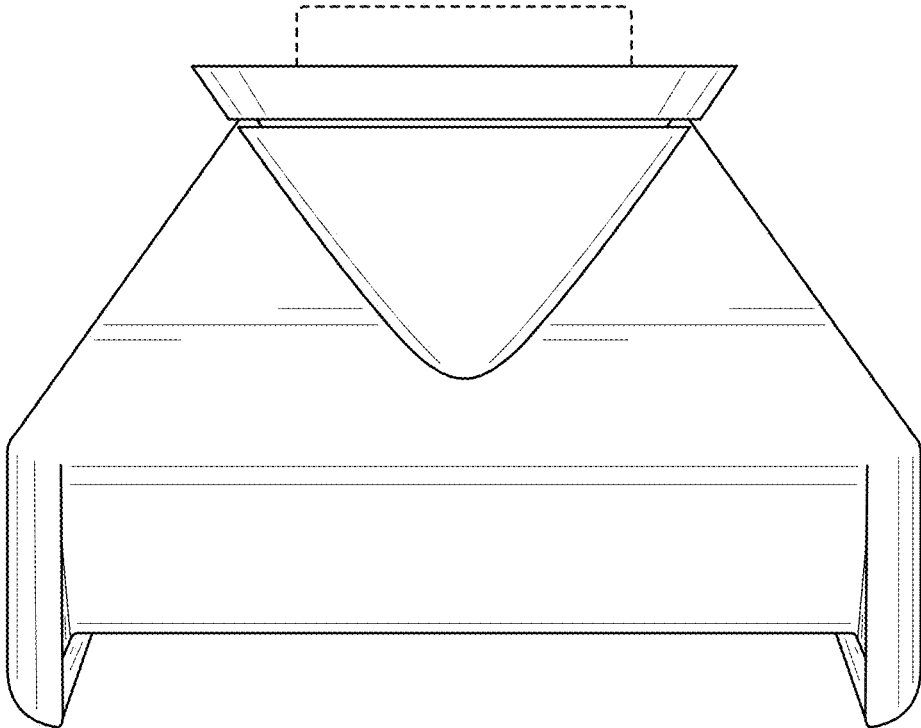


FIG. 6

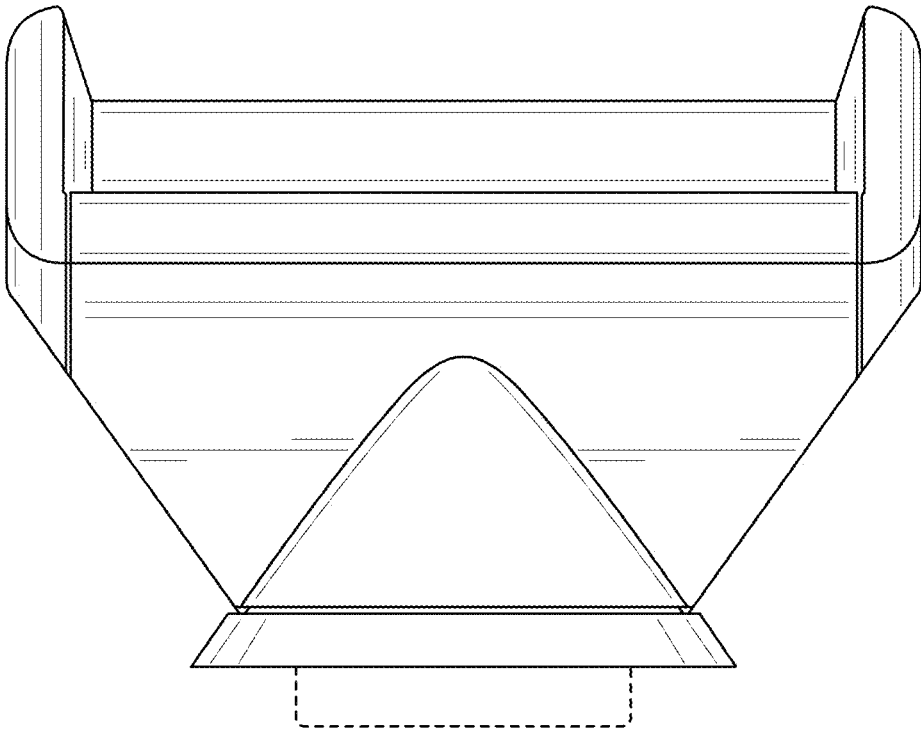


FIG. 7