



US00D879317S

(12) **United States Design Patent**
Ullman

(10) **Patent No.:** **US D879,317 S**

(45) **Date of Patent:** **** Mar. 24, 2020**

(54) **LUNG BOX**

(71) Applicant: **Spiration, Inc.**, Redmond, WA (US)

(72) Inventor: **Joseph Ullman**, Seattle, WA (US)

(73) Assignee: **SPIRATION, INC.**, Redmond, WA (US)

(**) Term: **15 Years**

(21) Appl. No.: **29/674,217**

(22) Filed: **Dec. 20, 2018**

(51) **LOC (12) Cl.** **24-01**

(52) **U.S. Cl.**
USPC **D24/216; D24/163**

(58) **Field of Classification Search**
USPC D24/107, 163, 186, 216, 217, 224, 231,
D24/232, 108, 111, 164; D30/108, 117,
D30/199

CPC A61G 11/00; A61G 11/002; A61G 11/005;
A61G 11/009; A01N 1/0273; A01N
1/0247; A01N 1/0268; A01N 1/02; A61M
16/0009; A61M 16/0063

See application file for complete search history.

(56) **References Cited**

U.S. PATENT DOCUMENTS

D335,965 S * 6/1993 Spring D30/108
D567,948 S * 4/2008 Tierney D24/163

D609,342 S * 2/2010 Chen D24/158
D642,697 S * 8/2011 Gafvert D24/216
D672,466 S * 12/2012 Kravitz D24/216
D787,696 S * 5/2017 Schmieta D24/216
10,112,509 B1 * 10/2018 Robertson B60N 2/2884
D839,442 S * 1/2019 Dohm D24/216
D845,180 S * 4/2019 Lait D24/163
2015/0342177 A1 * 12/2015 Hassanein A01N 1/0247
435/284.1
2019/0351162 A1 * 11/2019 Parker A61M 16/0057

* cited by examiner

Primary Examiner — Anhdao Doan

(57) **CLAIM**

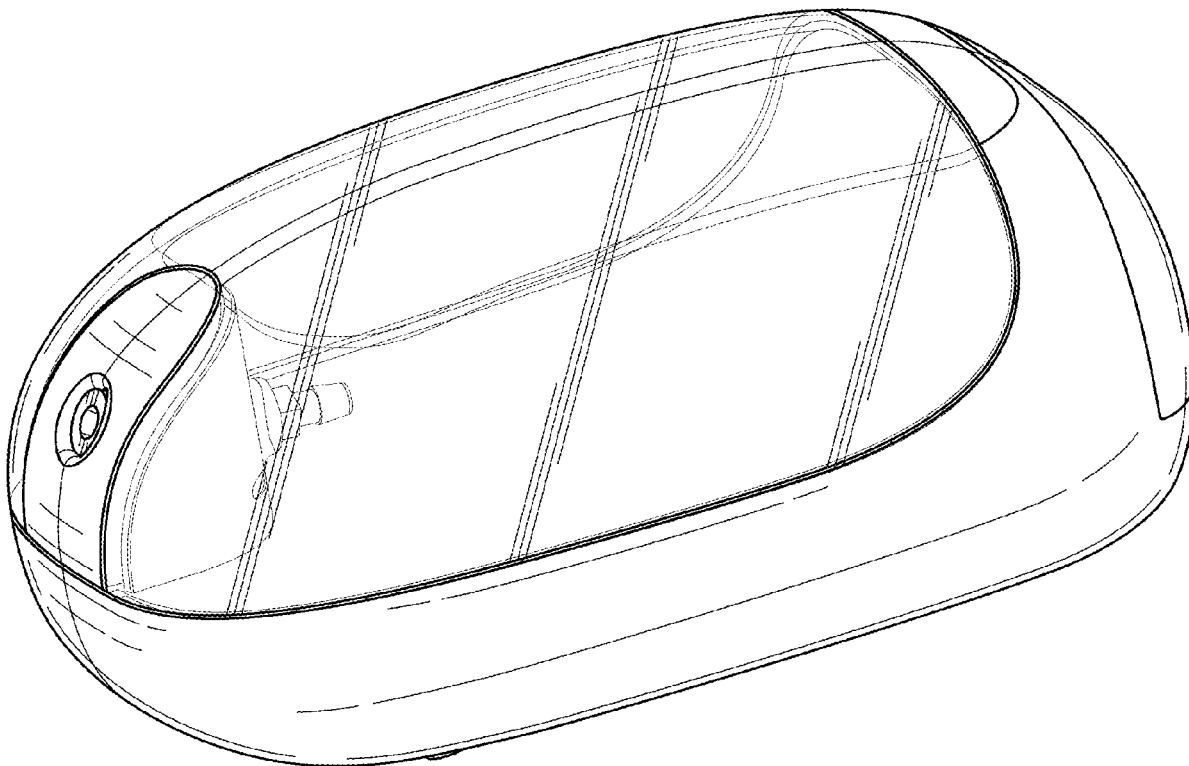
The ornamental design for a lung box, as shown and described.

DESCRIPTION

FIG. 1 is an perspective view;
FIG. 2 is a front elevation view;
FIG. 3 is a rear elevation view;
FIG. 4 is a right side elevation view;
FIG. 5 is a top plan view; and,
FIG. 6 is a bottom plan view.

The broken lines show portions of the lung box that form no part of the claimed design; the broken lines form no part of the claimed design.

1 Claim, 5 Drawing Sheets



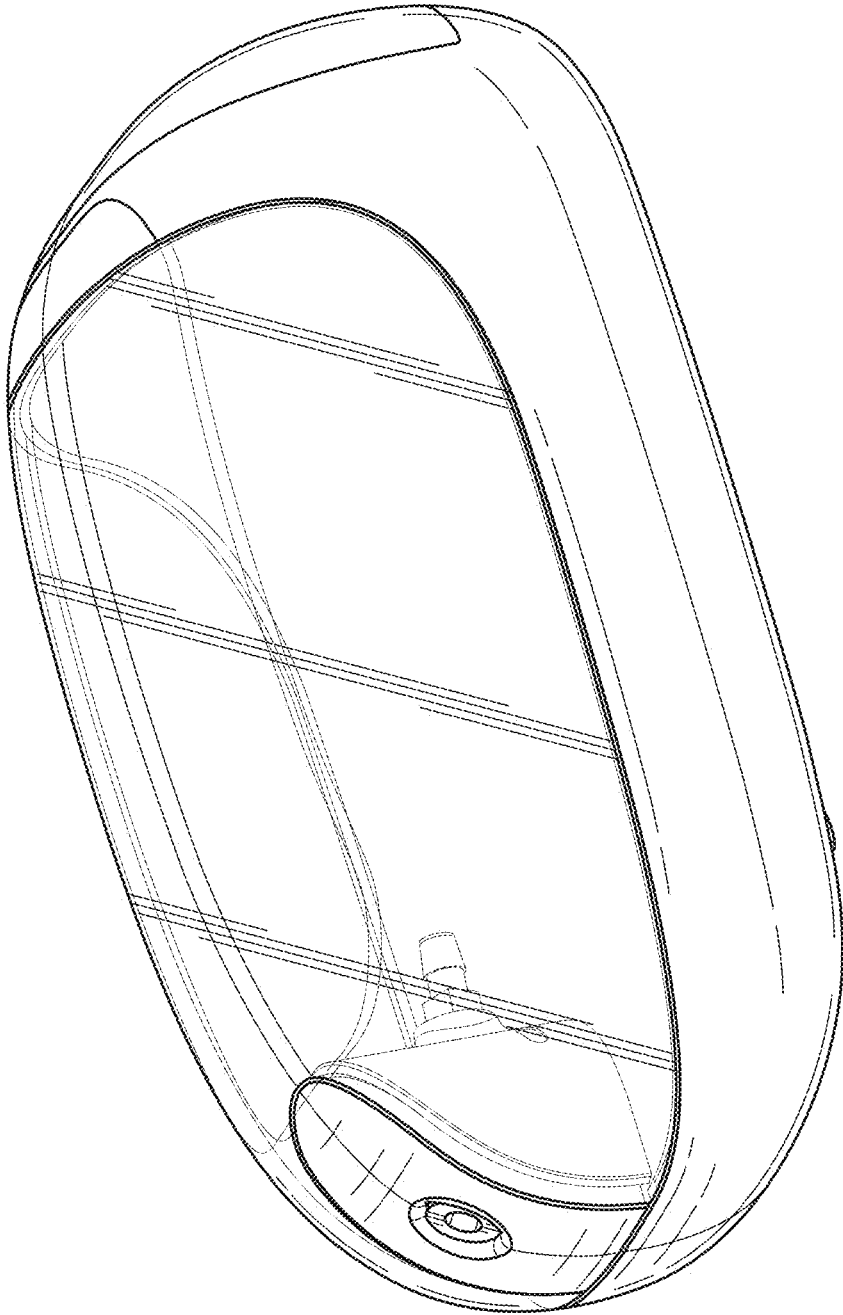


FIG. 1

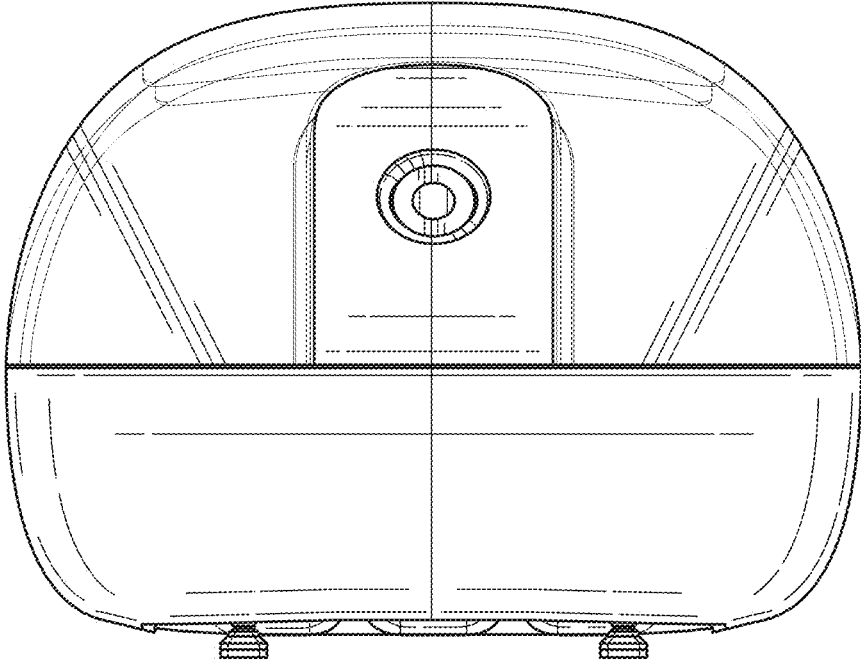


FIG. 2

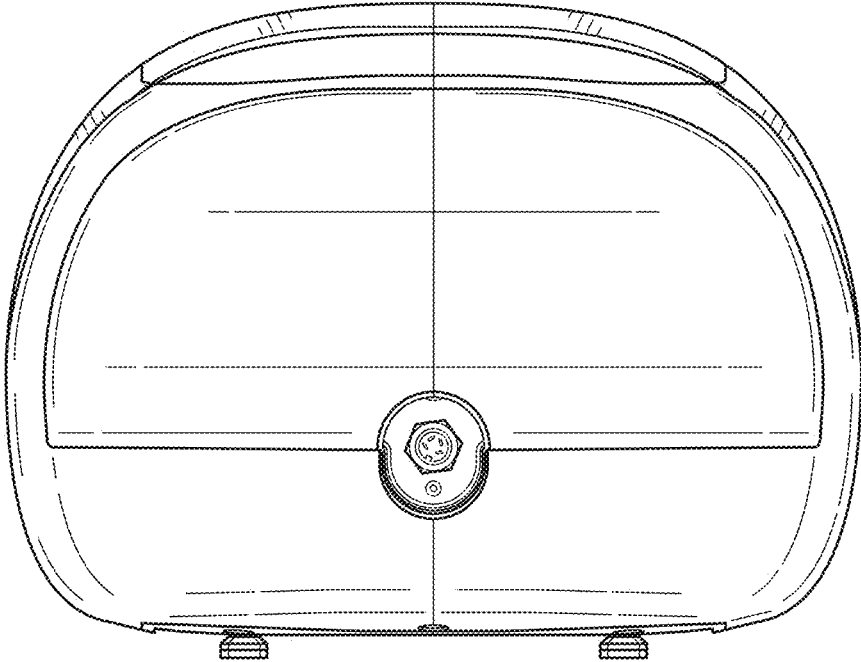


FIG. 3

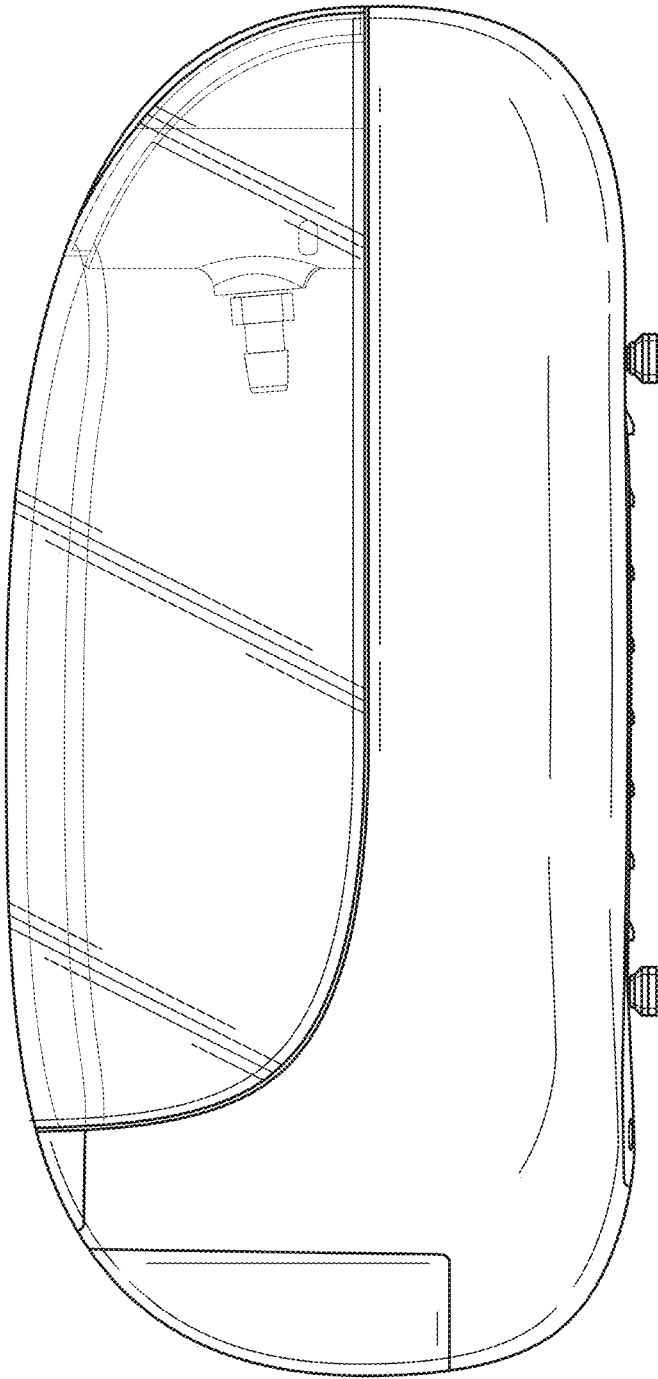


FIG. 4

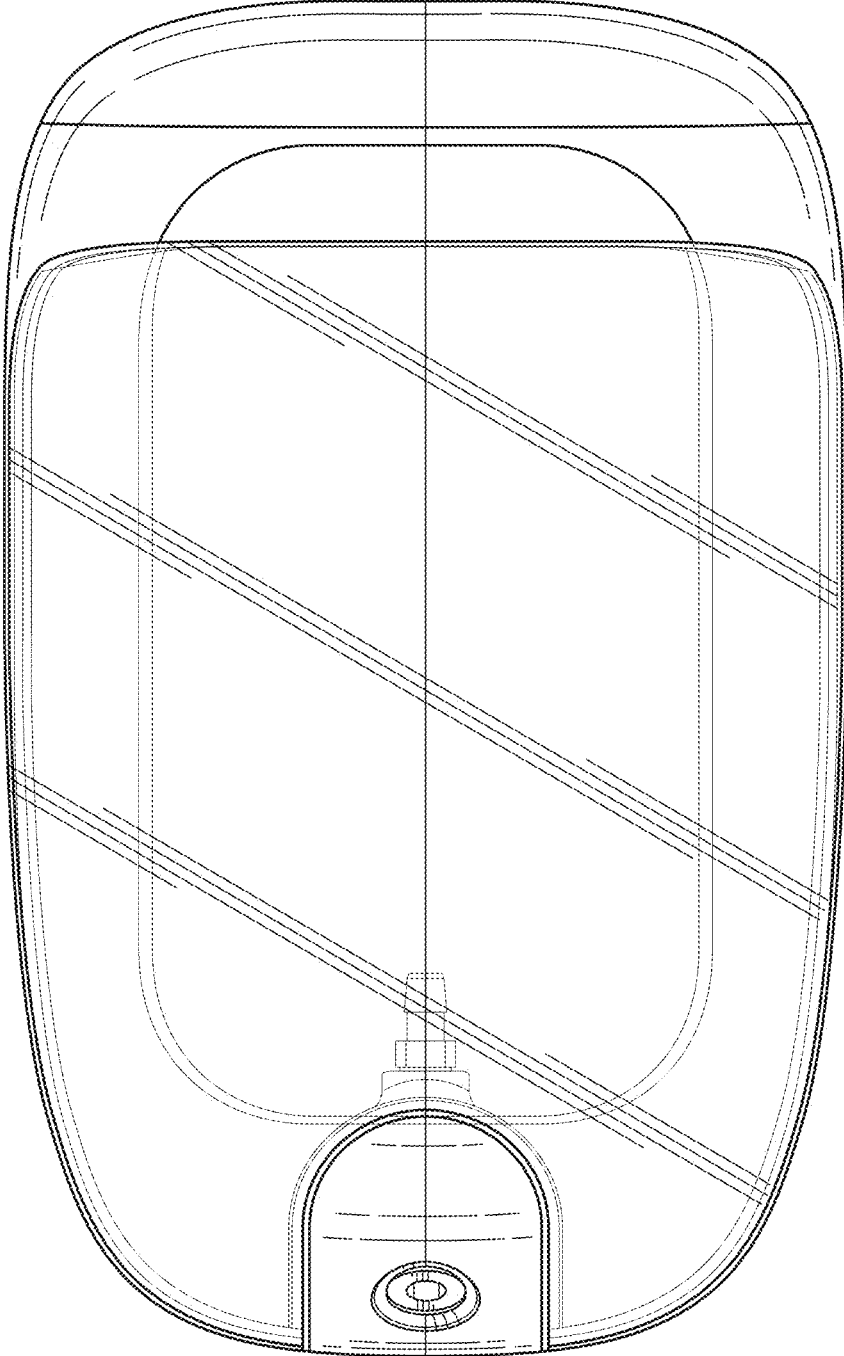


FIG. 5

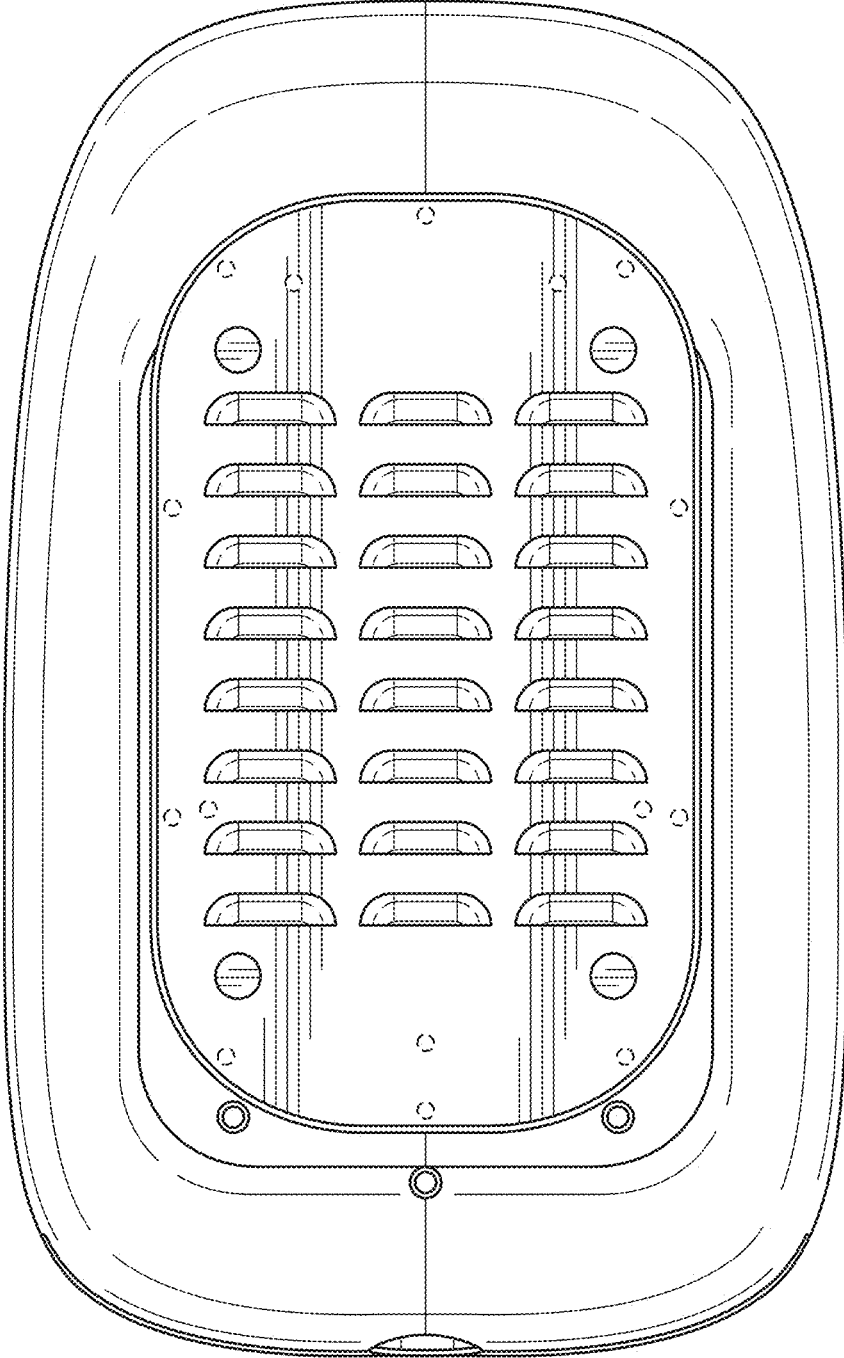


FIG. 6