

(19) World Intellectual Property Organization  
International Bureau



(43) International Publication Date  
10 July 2008 (10.07.2008)

PCT

(10) International Publication Number  
WO 2008/083049 A3

(51) International Patent Classification:  
E21B 47/00 (2006.01)

(21) International Application Number:  
PCT/US2007/088479

(22) International Filing Date:  
21 December 2007 (21.12.2007)

(25) Filing Language: English

(26) Publication Language: English

(30) Priority Data:  
11/646,752 28 December 2006 (28.12.2006) US

(71) Applicant (for all designated States except US): THRU-BIT LLC [US/US]; 4905 Cranswick Road, Houston, TX 77041 (US).

(72) Inventors: AIVALIS, James, G.; 22406 Caroline Cove, Katy, TX 77450 (US). MCGILLIVARY, Corey; 63 Duston Street, Red Deer, AB T4R 2L6 (CA).

(74) Agent: FAGIN, Richard, A.; P.O. Box 1247, Richmond, TX 77406-1247 (US).

(81) Designated States (unless otherwise indicated, for every kind of national protection available): AE, AG, AL, AM, AT, AU, AZ, BA, BB, BG, BH, BR, BW, BY, BZ, CA, CH,

CN, CO, CR, CU, CZ, DE, DK, DM, DO, DZ, EC, EE, EG, ES, FI, GB, GD, GE, GH, GM, GT, HN, HR, HU, ID, IL, IN, IS, JP, KE, KG, KM, KN, KP, KR, KZ, LA, LC, LK, LR, LS, LT, LU, LY, MA, MD, ME, MG, MK, MN, MW, MX, MY, MZ, NA, NG, NI, NO, NZ, OM, PG, PH, PL, PT, RO, RS, RU, SC, SD, SE, SG, SK, SL, SM, SV, SY, TJ, TM, TN, TR, TT, TZ, UA, UG, US, UZ, VC, VN, ZA, ZM, ZW.

(84) Designated States (unless otherwise indicated, for every kind of regional protection available): ARIPO (BW, GH, GM, KE, LS, MW, MZ, NA, SD, SL, SZ, TZ, UG, ZM, ZW), Eurasian (AM, AZ, BY, KG, KZ, MD, RU, TJ, TM), European (AT, BE, BG, CH, CY, CZ, DE, DK, EE, ES, FI, FR, GB, GR, HU, IE, IS, IT, LT, LU, LV, MC, MT, NL, PL, PT, RO, SE, SI, SK, TR), OAPI (BF, BJ, CF, CG, CI, CM, GA, GN, GQ, GW, ML, MR, NE, SN, TD, TG).

Declarations under Rule 4.17:

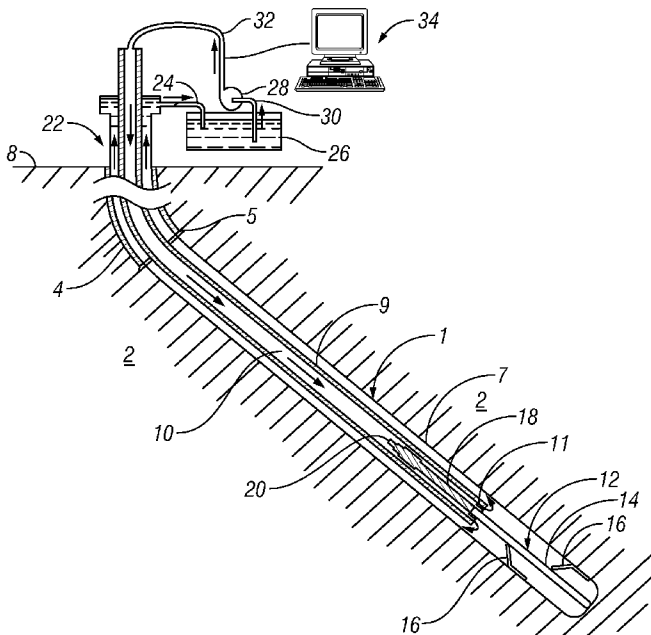
- as to applicant's entitlement to apply for and be granted a patent (Rule 4.17(ii))
- as to the applicant's entitlement to claim the priority of the earlier application (Rule 4.17(iii))

Published:

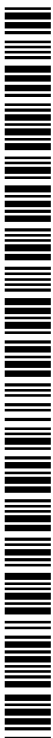
- with international search report

[Continued on next page]

(54) Title: DEPLOYMENT TOOL FOR WELL LOGGING INSTRUMENTS CONVEYED THROUGH THE INTERIOR OF A PIPE STRING



(57) Abstract: A deployment device for controlling rate of movement of an instrument inside a conduit includes a mandrel having a coupling to affix the deployment device to the instrument and a controllable brake disposed in the mandrel, the brake controllably actuatable to maintain the mandrel and instrument at a selected speed within the conduit.



WO 2008/083049 A3



— *before the expiration of the time limit for amending the claims and to be republished in the event of receipt of amendments*

**(88) Date of publication of the international search report:**  
21 August 2008

**INTERNATIONAL SEARCH REPORT**

International application No.

PCT/US2007/088479

**A. CLASSIFICATION OF SUBJECT MATTER**

IPC(8) - E21B 47/00 (2008.04)

USPC - 166/254.2

According to International Patent Classification (IPC) or to both national classification and IPC

**B. FIELDS SEARCHED**

Minimum documentation searched (classification system followed by classification symbols)

IPC(8) - E21B 47/00 (2008.04)

USPC - 166/254.2

Documentation searched other than minimum documentation to the extent that such documents are included in the fields searched

Electronic data base consulted during the international search (name of data base and, where practicable, search terms used)

USPTO EAST System (US, USPG-PUB, EPO, DERWENT), MicroPatent

**C. DOCUMENTS CONSIDERED TO BE RELEVANT**

Category*	Citation of document, with indication, where appropriate, of the relevant passages	Relevant to claim No.
X - Y	US 2005/0288819 A1 (DE GUZMAN) 29 December 2005 (29.12.2005) entire document	1, 2, 8-13 ----- 3-7, 20, 21
X - Y	US 6,273,189 B1 (GISSLER et al) 14 August 2001 (14.08.2001) entire document	14-17, 19, 22 ----- 18, 20, 21
Y	US 5,282,641 A (MCLAUGHLIN) 01 February 1994 (01.02.1994) entire document	3-5, 7, 18
Y	US 5,184,676 A (GRAHAM et al) 09 February 1993 (09.02.1993) entire document	6, 7

Further documents are listed in the continuation of Box C.

\* Special categories of cited documents:

"A" document defining the general state of the art which is not considered to be of particular relevance

"E" earlier application or patent but published on or after the international filing date

"L" document which may throw doubts on priority claim(s) or which is cited to establish the publication date of another citation or other special reason (as specified)

"O" document referring to an oral disclosure, use, exhibition or other means

"P" document published prior to the international filing date but later than the priority date claimed

"T" later document published after the international filing date or priority date and not in conflict with the application but cited to understand the principle or theory underlying the invention

"X" document of particular relevance; the claimed invention cannot be considered novel or cannot be considered to involve an inventive step when the document is taken alone

"Y" document of particular relevance; the claimed invention cannot be considered to involve an inventive step when the document is combined with one or more other such documents, such combination being obvious to a person skilled in the art

"&" document member of the same patent family

Date of the actual completion of the international search

22 May 2008

Date of mailing of the international search report

**10 JUN 2008**

Name and mailing address of the ISA/US

Mail Stop PCT, Attn: ISA/US, Commissioner for Patents  
P.O. Box 1450, Alexandria, Virginia 22313-1450

Facsimile No. 571-273-3201

Authorized officer:

Blaine R. Copenheaver

PCT Helpdesk: 571-272-4300  
PCT OSP: 571-272-7774