



US00D811029S

(12) **United States Design Patent**
Yoon et al.

(10) **Patent No.:** **US D811,029 S**

(45) **Date of Patent:** **** Feb. 20, 2018**

(54) **DRUM WASHING MACHINE**

(71) Applicant: **Samsung Electronics Co., Ltd.**,
Suwon-si (KR)

(72) Inventors: **Sanghun Yoon**, Seoul (KR); **Jaewon Choi**, Seoul (KR)

(73) Assignee: **SAMSUNG ELECTRONICS CO., LTD.**, Gyeonggi-Do (KR)

(**) Term: **15 Years**

(21) Appl. No.: **29/583,832**

(22) Filed: **Nov. 9, 2016**

(30) **Foreign Application Priority Data**

May 9, 2016 (KR) 30-2016-0021810

(51) **LOC (11) Cl.** **15-05**

(52) **U.S. Cl.**
USPC **D32/29.1**

(58) **Field of Classification Search**
USPC D32/1, 5, 6, 8, 10, 25, 28, 29.1
CPC D06F 39/022; D06F 39/028; D06F 39/14;
D06F 37/28; D06F 33/02; D06F 58/00;
D06F 58/02
See application file for complete search history.

(56) **References Cited**

U.S. PATENT DOCUMENTS

| | | | | |
|--------------|---------|----------|-------|--------|
| D360,500 S * | 7/1995 | Millet | | D32/5 |
| D380,883 S * | 7/1997 | Katz | | D32/25 |
| D446,891 S * | 8/2001 | Kim | | D32/6 |
| D465,308 S * | 11/2002 | Resuello | | D32/6 |
| D491,324 S * | 6/2004 | Kim | | D32/6 |
| D492,073 S * | 6/2004 | Sneddon | | D32/6 |
| D527,853 S * | 9/2006 | Carey | | D32/6 |
| D532,941 S * | 11/2006 | Carey | | D32/6 |
| D536,144 S * | 1/2007 | Seo | | D32/6 |
| D542,487 S * | 5/2007 | Jun | | D32/6 |

| | | | | |
|--------------|---------|-----------------|-------|-------|
| D554,307 S * | 10/2007 | Kim | | D32/6 |
| D556,394 S * | 11/2007 | Kim | | D32/6 |
| D571,964 S * | 6/2008 | Kim | | D32/6 |
| D596,813 S | 7/2009 | Gruetzke et al. | | |

(Continued)

FOREIGN PATENT DOCUMENTS

| | | |
|----|---------------|--------|
| EM | 0001626720001 | 6/2004 |
| EM | 0008277530001 | 3/2008 |

(Continued)

Primary Examiner — Michael A. Pratt

Assistant Examiner — Michelle E Wilson

(74) *Attorney, Agent, or Firm* — Cantor Colburn LLP

(57) **CLAIM**

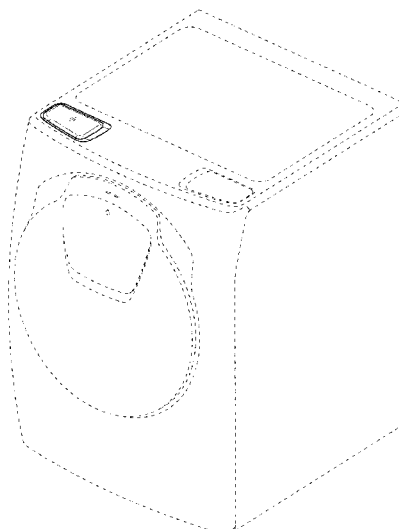
The ornamental design for a drum washing machine, as shown and described.

DESCRIPTION

FIG. 1 is a perspective view of a drum washing machine, showing our new design;
 FIG. 2 is a front view thereof;
 FIG. 3 is a rear view thereof;
 FIG. 4 is a side view thereof;
 FIG. 5 is another side view thereof;
 FIG. 6 is a top view thereof;
 FIG. 7 is a bottom view thereof;
 FIG. 8 is a perspective view of a drum washing machine, showing our new design in another configuration;
 FIG. 9 is a front view thereof;
 FIG. 10 is a rear view thereof;
 FIG. 11 is a side view thereof;
 FIG. 12 is another side view thereof;
 FIG. 13 is a top view thereof; and,
 FIG. 14 is a bottom view thereof.

The broken lines in the figures illustrating portions of the drum washing machine form no part of the claimed design.

1 Claim, 14 Drawing Sheets



(56)

References Cited

U.S. PATENT DOCUMENTS

| | | | | | | |
|----------|---|---|---------|-------|-------|----------|
| D630,807 | S | * | 1/2011 | Song | | D32/6 |
| D658,343 | S | * | 4/2012 | Jeon | | D32/29.1 |
| D663,907 | S | * | 7/2012 | Jeon | | D32/6 |
| D697,681 | S | * | 1/2014 | Chung | | D32/29.1 |
| D699,409 | S | * | 2/2014 | Cho | | D32/29.1 |
| D764,120 | S | * | 8/2016 | Choi | | D32/6 |
| D772,509 | S | * | 11/2016 | Ha | | D32/29.1 |
| D773,756 | S | * | 12/2016 | Hwang | | D32/6 |
| D781,007 | S | * | 3/2017 | Jang | | D32/6 |
| D793,634 | S | * | 8/2017 | Jang | | D32/6 |
| D794,879 | S | * | 8/2017 | Kang | | D32/6 |

FOREIGN PATENT DOCUMENTS

| | | | |
|----|----------|---|---------|
| JP | D1348455 | S | 1/2009 |
| JP | D1426170 | S | 10/2011 |
| JP | D1527702 | S | 6/2015 |

* cited by examiner

FIG. 1

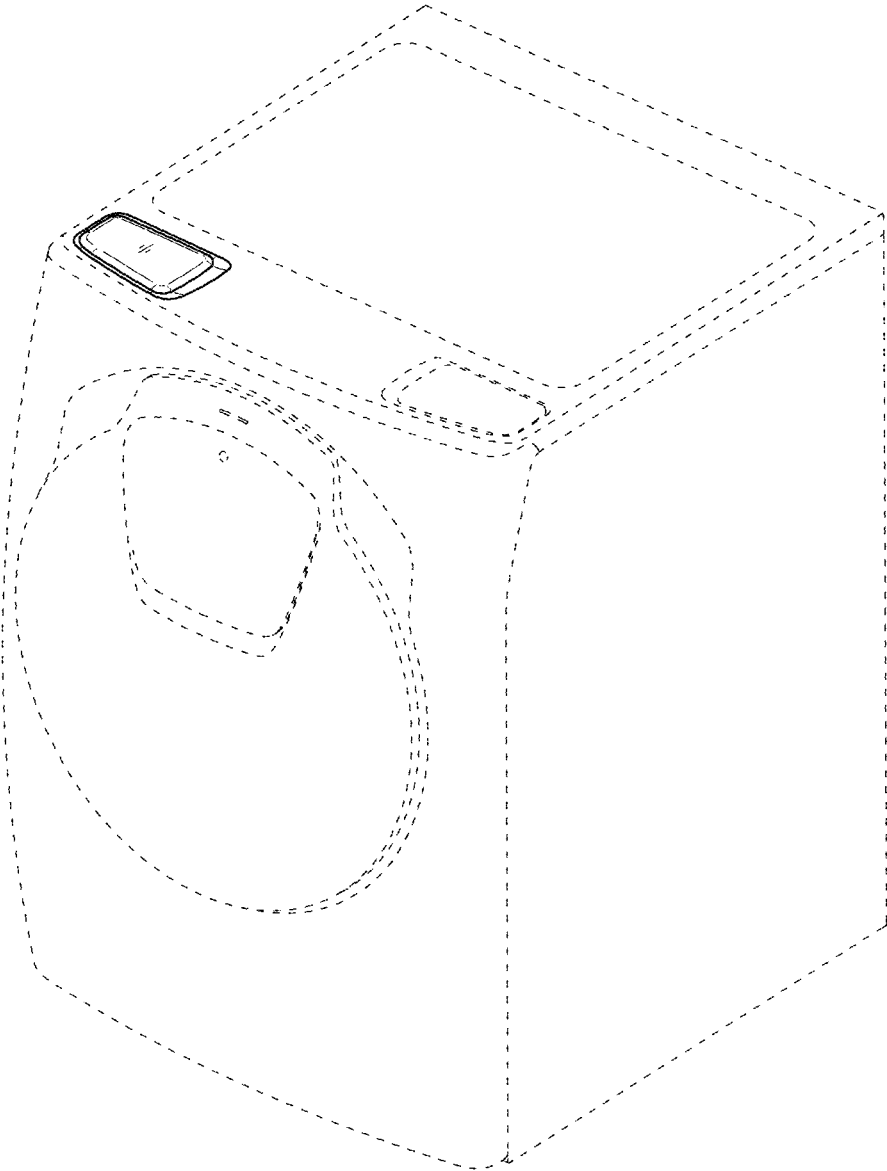


FIG. 2

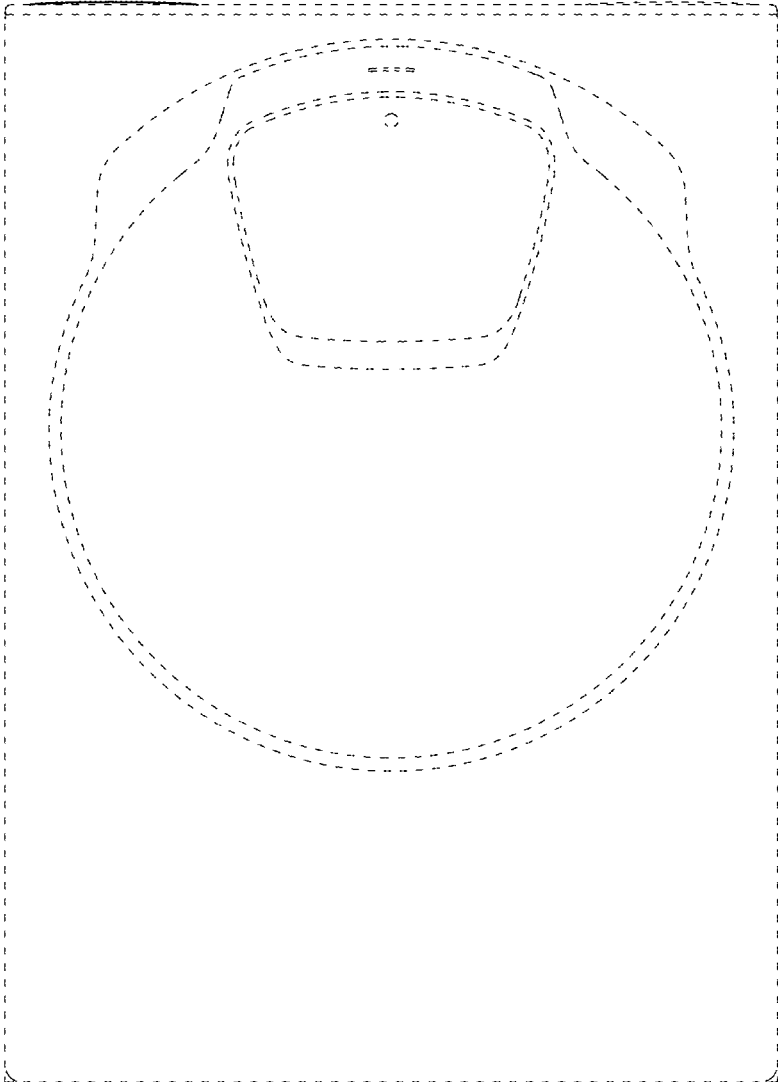


FIG. 3



FIG. 4

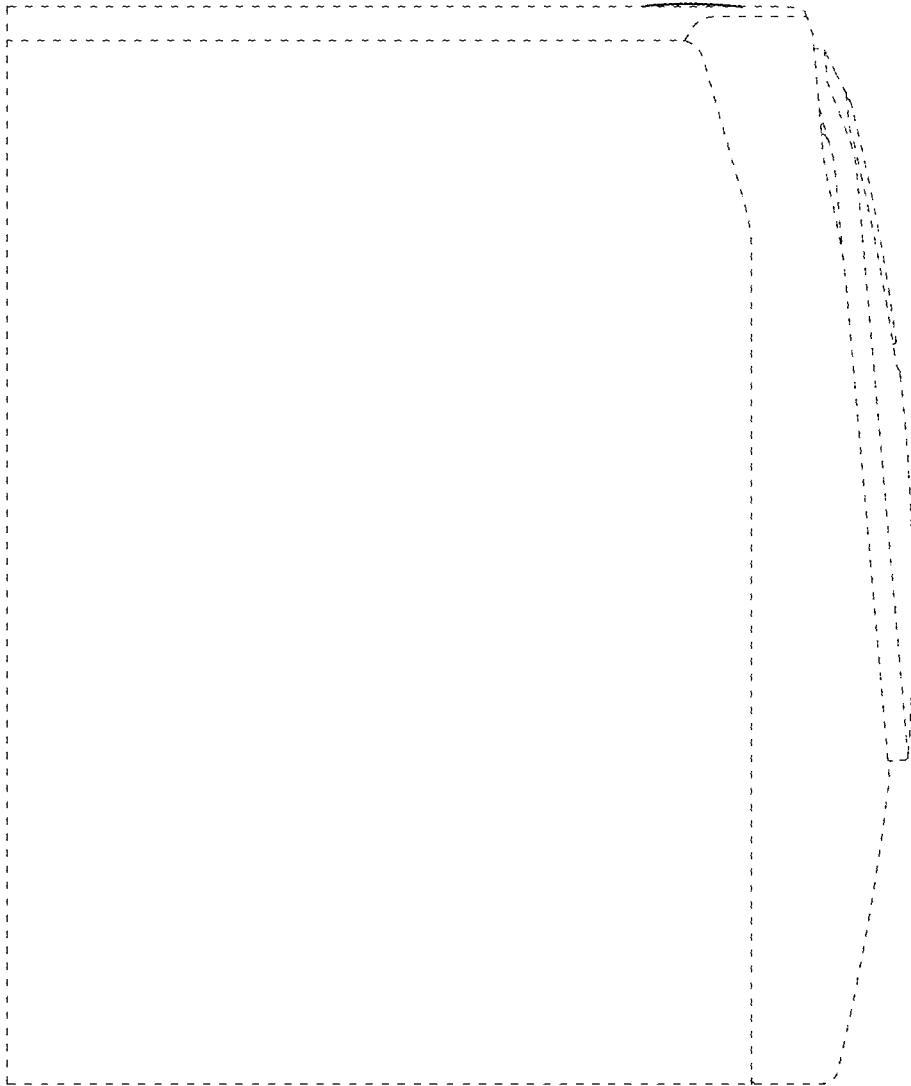


FIG. 5

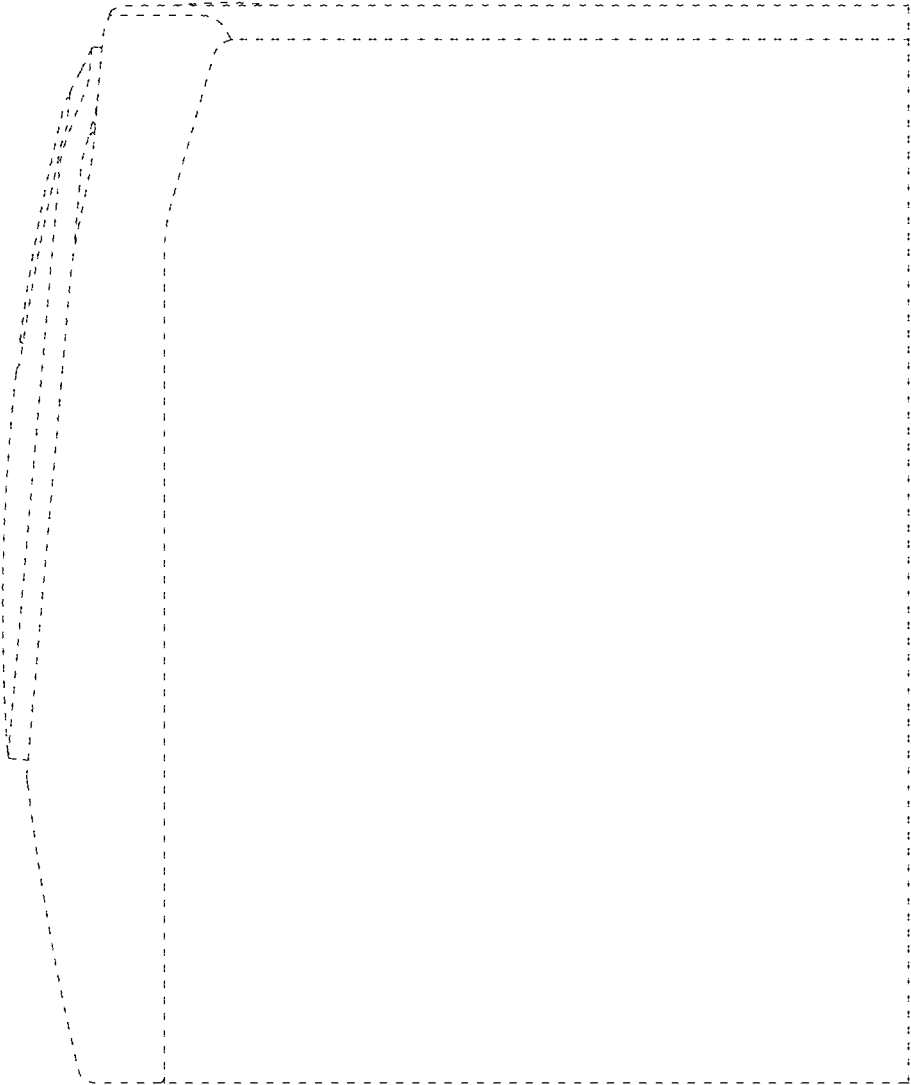


FIG. 6

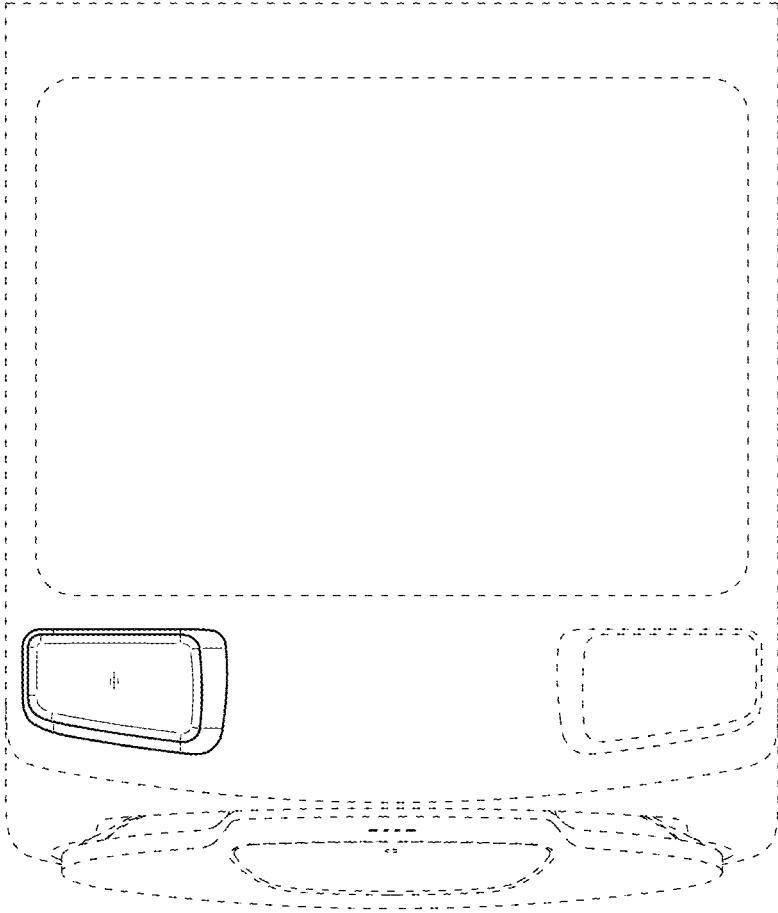


FIG. 7

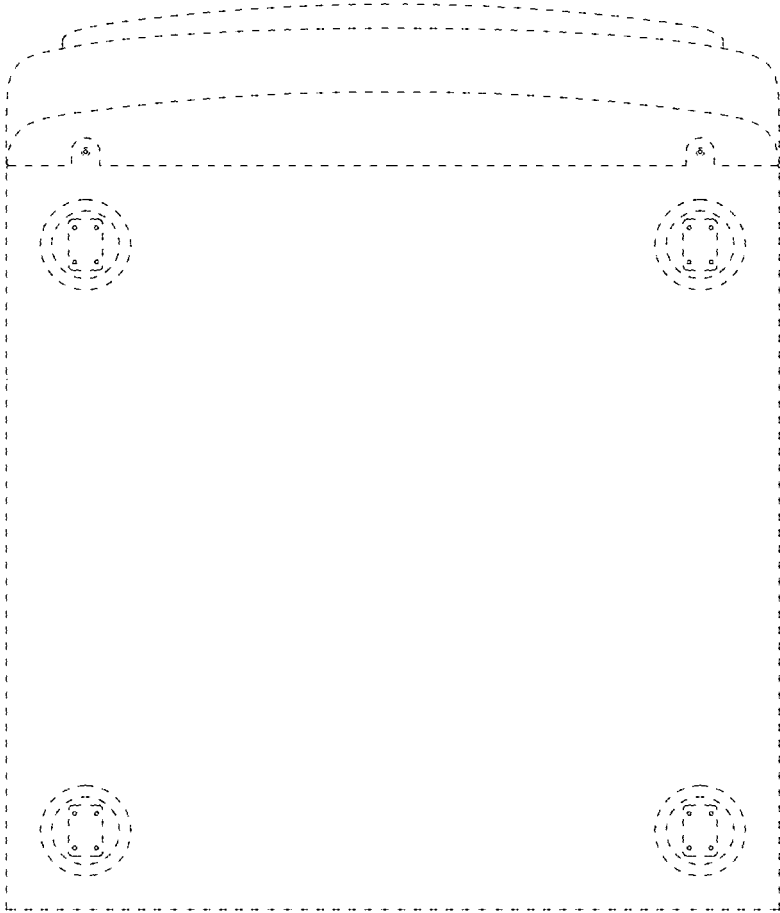


FIG. 8

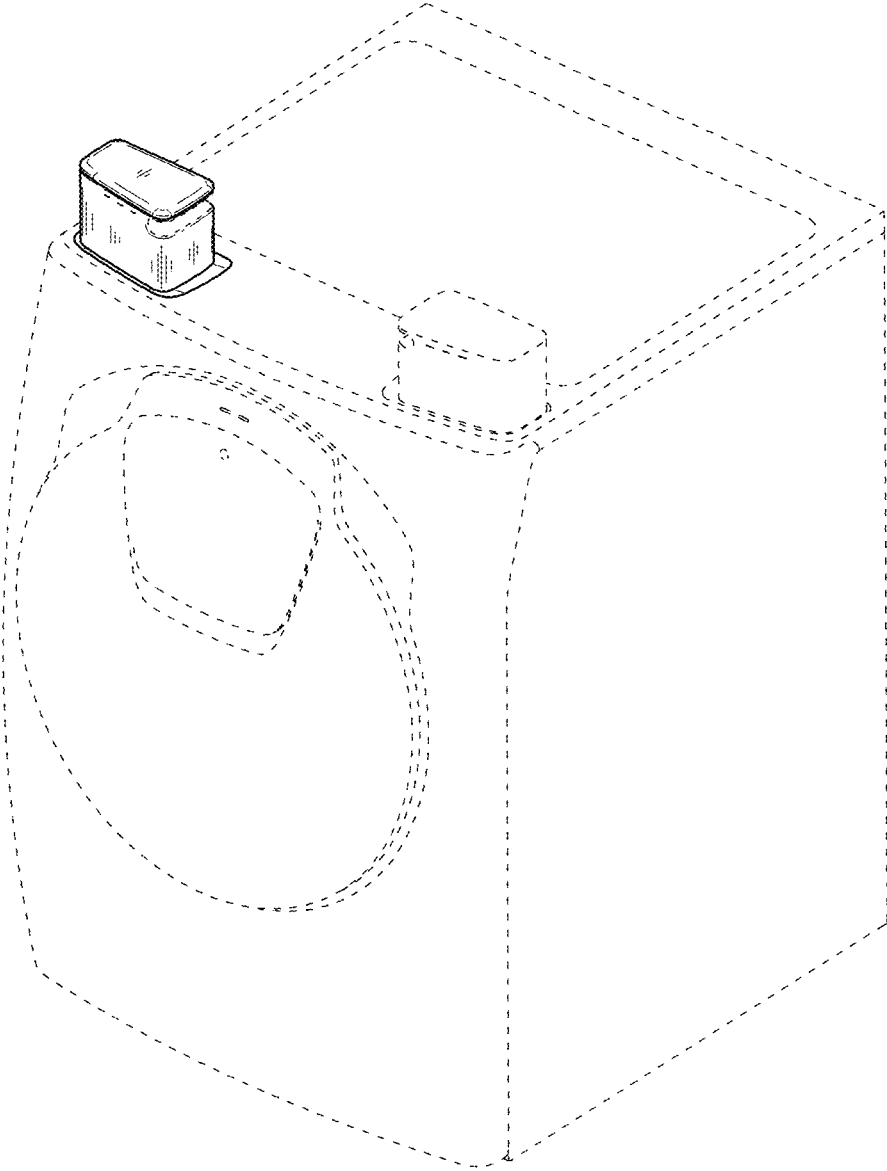


FIG. 9

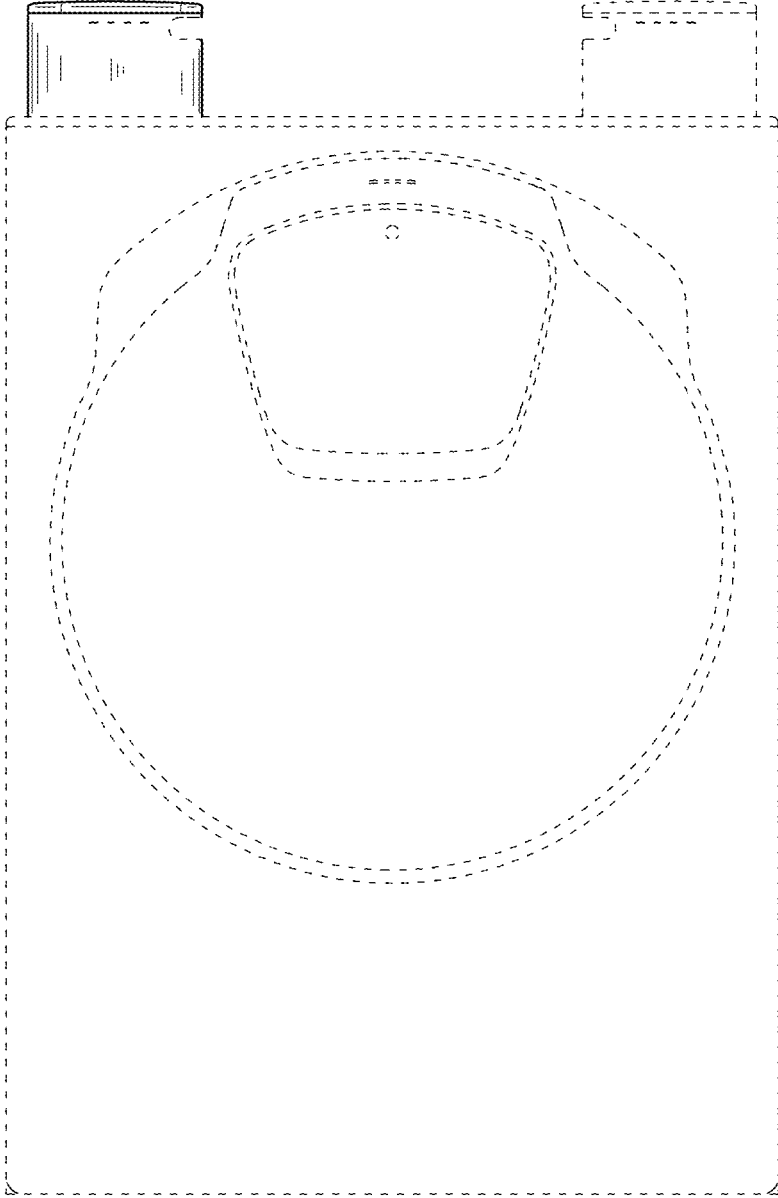


FIG. 10



FIG. 11

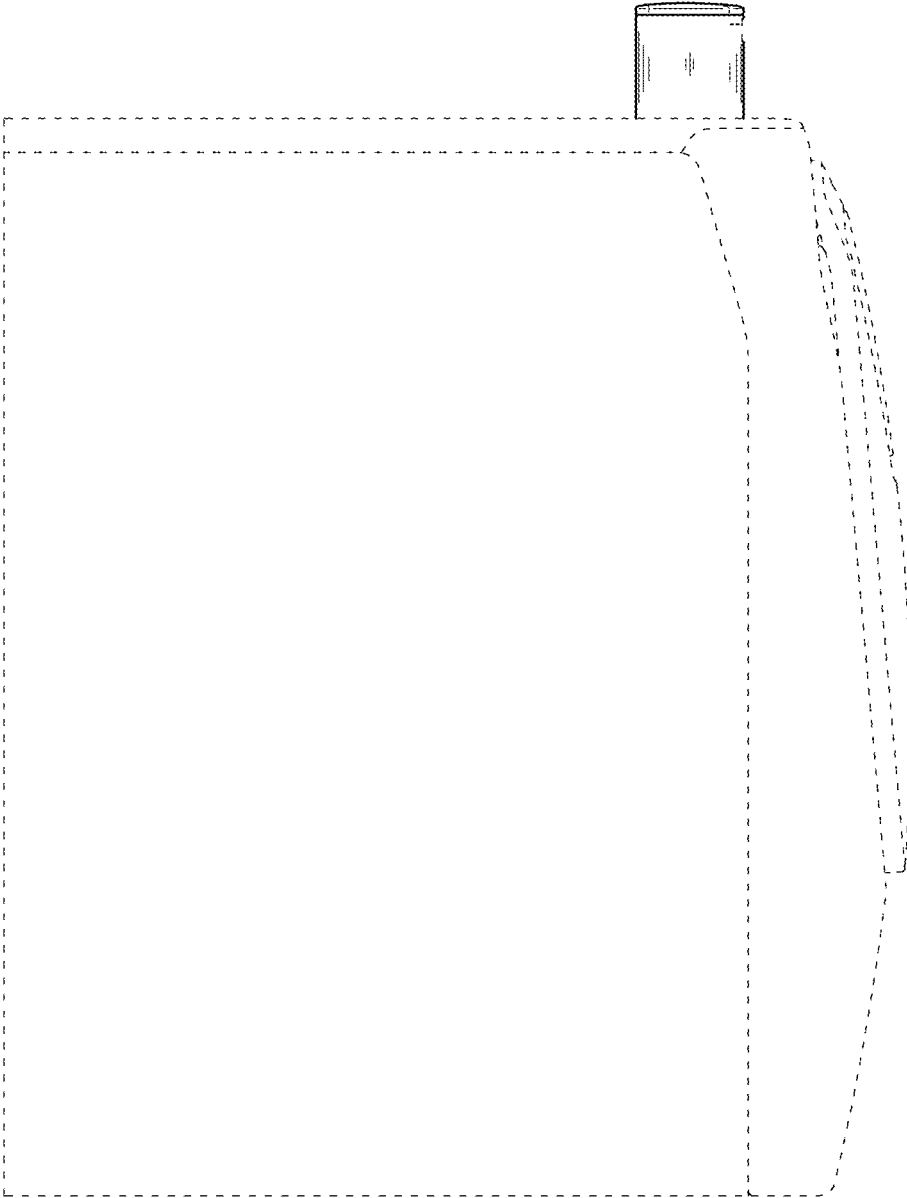


FIG. 12

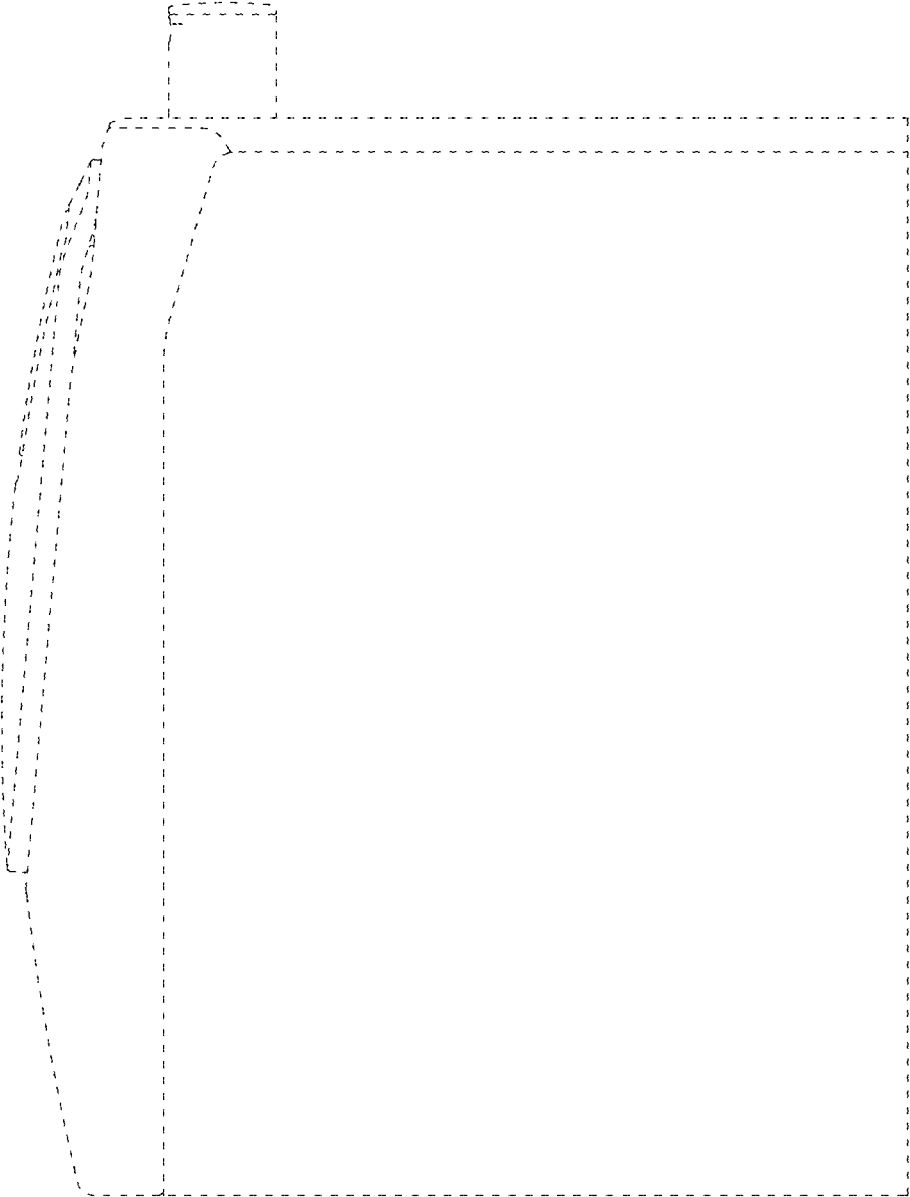


FIG. 13

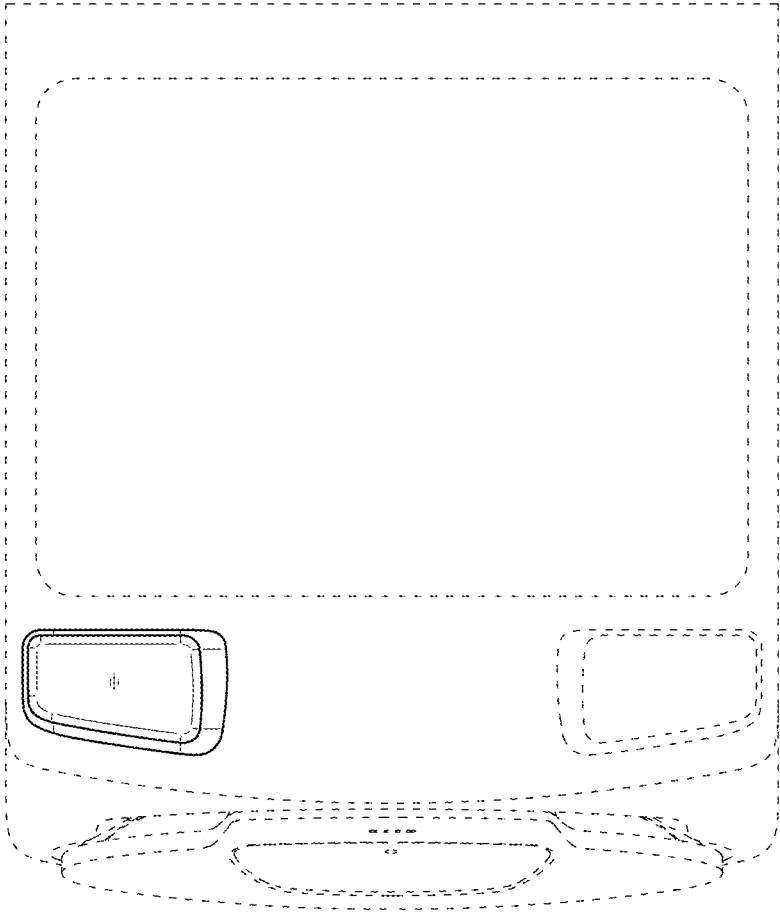


FIG. 14

