



US00D721578S

(12) **United States Design Patent**  
**Julius et al.**

(10) **Patent No.:** **US D721,578 S**

(45) **Date of Patent:** **\*\* Jan. 27, 2015**

(54) **DISPENSER LID**  
(71) Applicant: **Nice-Pak Products, Inc.**, Orangeburg, NY (US)  
(72) Inventors: **Robert P. Julius**, Greenwich, CT (US); **Gerard Anthony Cahalan**, New Milford, CT (US)

5,054,612 A 10/1991 Meyer, Jr.  
5,145,088 A 9/1992 Goujon  
5,667,092 A 9/1997 Julius et al.  
6,092,687 A 7/2000 Hupp et al.  
6,343,707 B2 2/2002 Cheng  
6,478,181 B1 11/2002 Krupa et al.

(Continued)

FOREIGN PATENT DOCUMENTS

(73) Assignee: **Nice-Pak Products, Inc.**, Orangeburg, NY (US)

CA 2 269 379 A1 10/2000  
EP 0371539 A2 6/1990  
EP 0583831 A1 2/1994

(\*\*) Term: **14 Years**

OTHER PUBLICATIONS

(21) Appl. No.: **29/468,629**

<http://totalfood.com/articles/sani-professional-offers-cleaner-less-expensive-surface-wipe-solution> Posted May 11, 2012.\*

(22) Filed: **Oct. 1, 2013**

(Continued)

(51) **LOC (10) Cl.** ..... **09-07**

(52) **U.S. Cl.**  
USPC ..... **D9/435**

(58) **Field of Classification Search**  
USPC ..... D9/414, 424, 426, 432, 434, 435, 436, D9/438, 440, 501, 503, 504, 715, 721, 730, D9/734; 29/527.1; 206/524.6; 220/200, 220/669, 810  
See application file for complete search history.

*Primary Examiner* — Susan Bennett Hattan  
*Assistant Examiner* — Leanne Was  
(74) *Attorney, Agent, or Firm* — Christie, Parker & Hale LLP

(57) **CLAIM**  
The ornamental design for a dispenser lid, as shown and described.

(56) **References Cited**

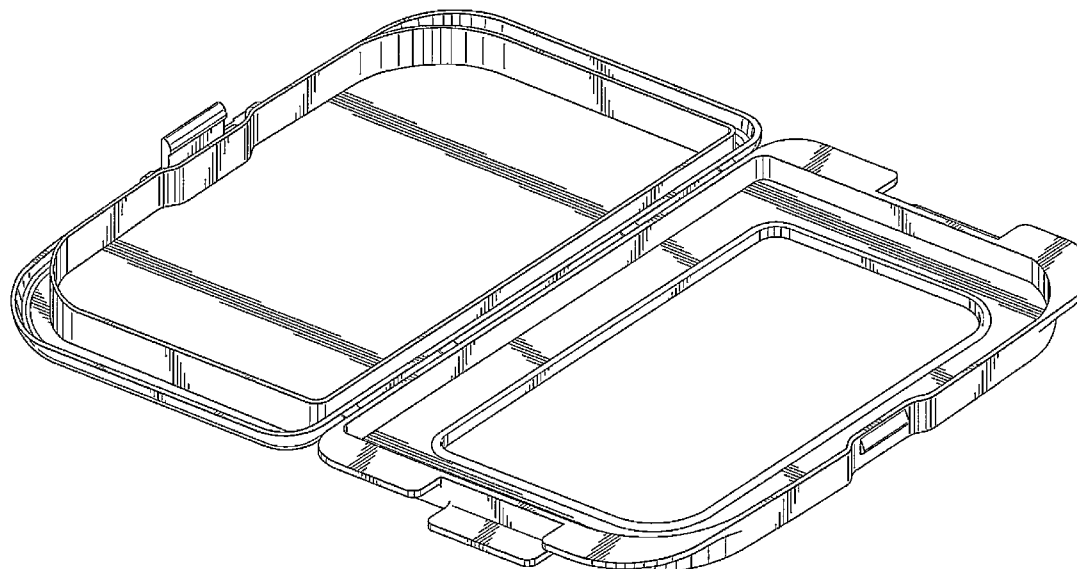
**DESCRIPTION**

U.S. PATENT DOCUMENTS

2,841,275 A 7/1958 Schwimmer et. al.  
2,841,276 A 7/1958 Schwimmer et al.  
3,033,362 A 5/1962 Marcalus  
3,141,569 A 7/1964 Hanson  
3,331,498 A 7/1967 Davies  
3,448,888 A 6/1969 Smith et al.  
3,825,049 A 7/1974 Swett et al.  
4,022,319 A 5/1977 Jenkins  
4,216,763 A 8/1980 Miklas  
4,469,243 A 9/1984 Ito et al.  
4,879,442 A 11/1989 Giovine

FIG. 1 is a perspective view of a dispenser lid;  
FIG. 2 is a bottom view of the dispenser lid of FIG. 1;  
FIG. 3 is a right side view of the dispenser lid of FIG. 1, the left side view being a mirror image of the right side view;  
FIG. 4 is a top view of the dispenser lid of FIG. 1;  
FIG. 5 is a rear view of the dispenser lid of FIG. 1; and,  
FIG. 6 is a front view of the dispenser lid of FIG. 1.  
Any broken lines shown in the drawings depict unclaimed portions of the dispenser lid.

**1 Claim, 5 Drawing Sheets**



(56)

**References Cited**

U.S. PATENT DOCUMENTS

6,499,626 B1 12/2002 Julius  
6,571,985 B2 6/2003 Wilkes et al.  
6,672,474 B2 1/2004 May et al.  
6,688,483 B2 2/2004 Davis  
6,702,109 B1 3/2004 Tabuchi  
6,702,147 B2 3/2004 Ashford  
6,863,192 B2 3/2005 Tumlinson  
7,416,083 B2 8/2008 Bando  
7,490,734 B2 2/2009 Carr

7,832,555 B2 11/2010 Flannery  
D693,909 S \* 11/2013 Rost et al. .... D23/249  
2009/0152290 A1 6/2009 Wang et al.  
2009/0223993 A1 9/2009 Lorenzati  
2010/0258580 A1 10/2010 Decker et al.  
2014/0048553 A1\* 2/2014 Julius et al. .... 220/810

OTHER PUBLICATIONS

International Search Report and Written Opinion dated Sep. 6, 2013,  
International Application No. PCT/US13/54537, 9 pages.

\* cited by examiner

FIG. 1

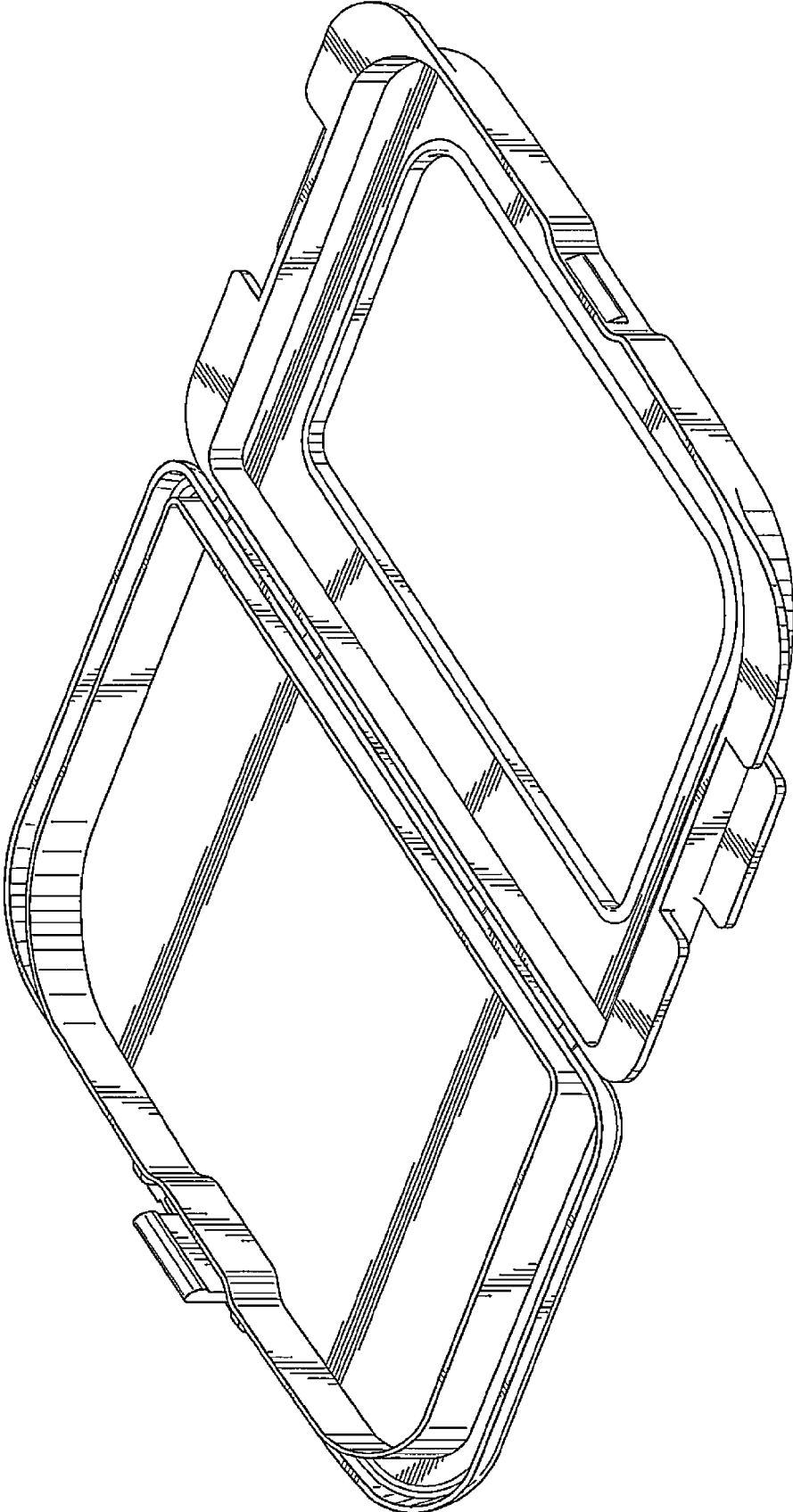


FIG. 2

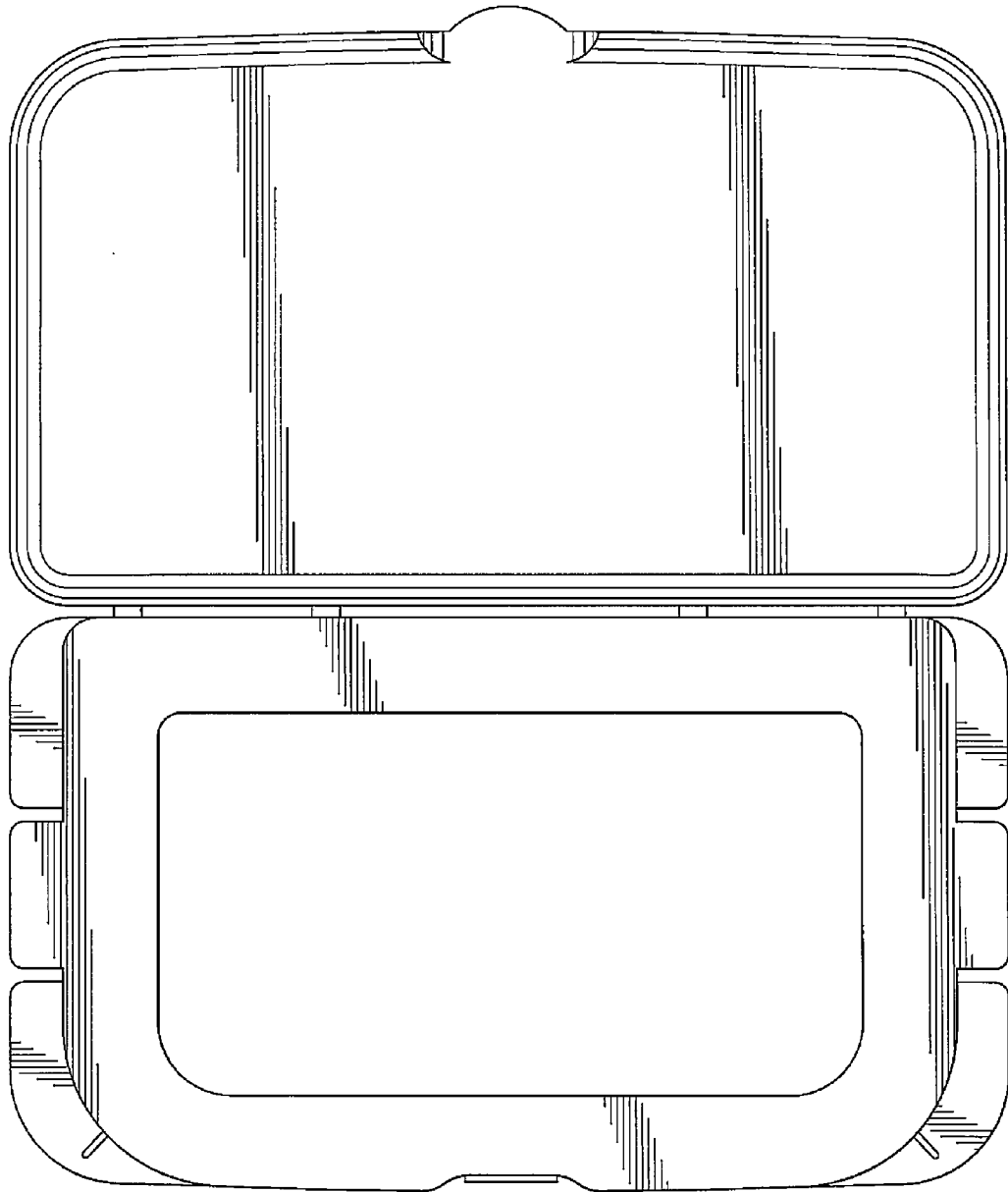


FIG. 3

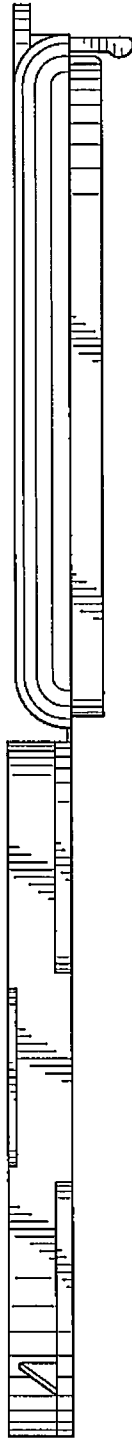


FIG. 4

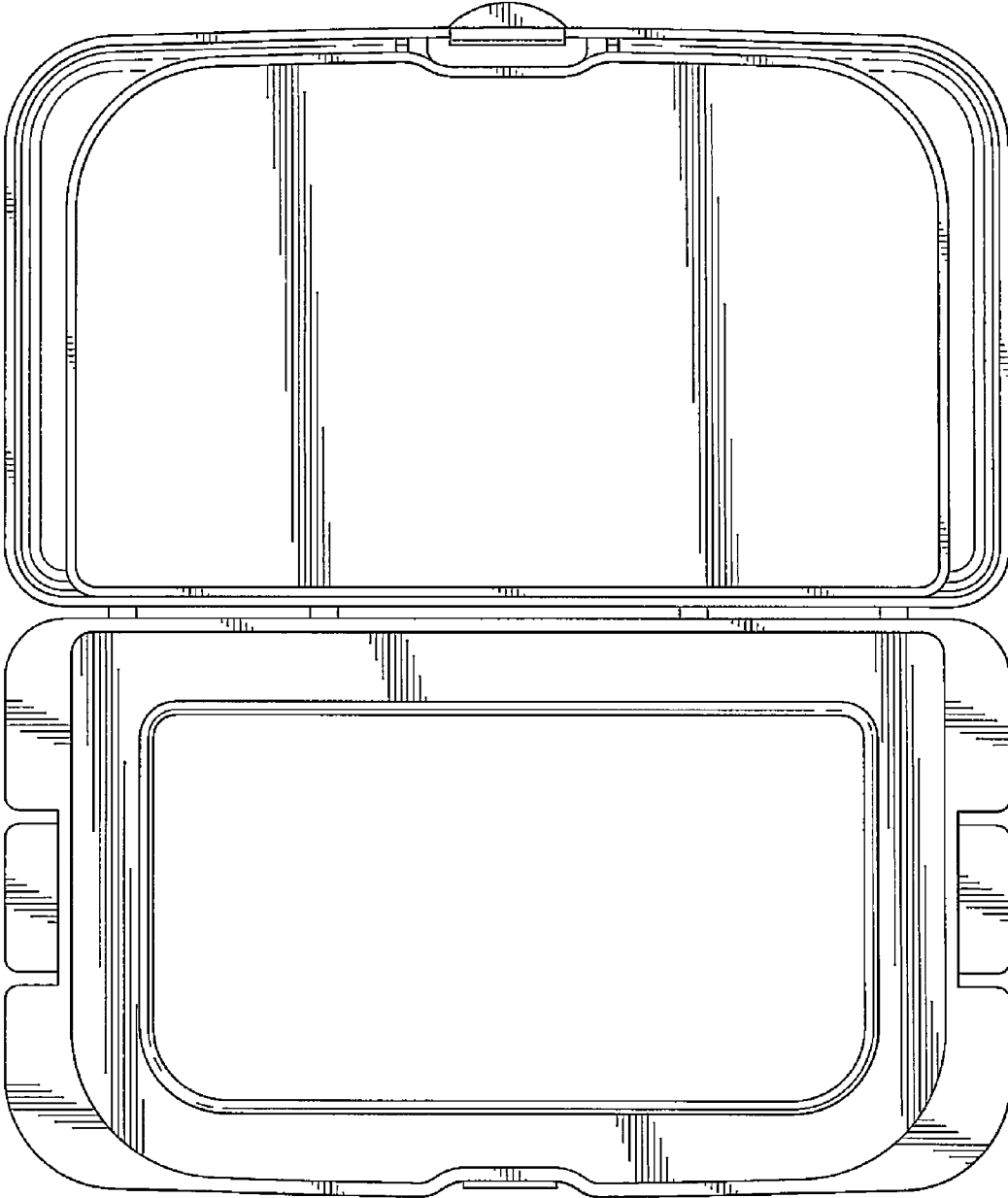


FIG. 5

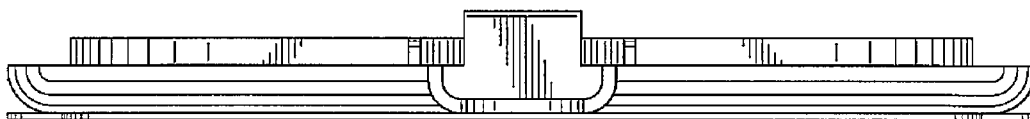


FIG. 6

