



US00D929988S

(12) **United States Design Patent**
Carlson

(10) **Patent No.:** **US D929,988 S**

(45) **Date of Patent:** **** Sep. 7, 2021**

(54) **GRAPHICAL USER INTERFACE DEVICE**

- (71) Applicant: **Cepheid**, Sunnyvale, CA (US)
- (72) Inventor: **Richard Carlson**, Sunnyvale, CA (US)
- (73) Assignee: **Cepheid**, Sunnyvale, CA (US)
- (**) Term: **15 Years**
- (21) Appl. No.: **29/688,963**

- (22) Filed: **Apr. 25, 2019**
- (51) **LOC (13) Cl.** **14-02**
- (52) **U.S. Cl.**
USPC **D14/336**
- (58) **Field of Classification Search**
USPC D14/336, 337, 341, 375, 376, 377, 127,
D14/128, 129, 371, 372, 373, 374, 126
CPC G06F 1/1601; G06F 1/1605; G06F 1/162
See application file for complete search history.

(56) **References Cited**

U.S. PATENT DOCUMENTS

D442,951 S *	5/2001	Hill	D14/336
D448,372 S *	9/2001	Kim	D14/172
D533,859 S *	12/2006	Nishii	D14/132
D563,405 S *	3/2008	Taniho	D14/336
D564,473 S *	3/2008	Nemoto	D14/129
D570,345 S *	6/2008	Lee	D14/336
D660,837 S *	5/2012	Libman	D14/336
D661,699 S *	6/2012	Chiu	D14/371
D680,108 S *	4/2013	Kumagai	D14/336
D702,658 S *	4/2014	Kim	D14/126
D741,853 S *	10/2015	Barron	D14/336
D755,783 S *	5/2016	Shi	D14/336
D860,987 S *	9/2019	Allgaier	D14/336

FOREIGN PATENT DOCUMENTS

RU 00099888 * 9/2016

OTHER PUBLICATIONS

YouTube. Link: https://www.youtube.com/watch?v=hPF6h8u3_lw.
Sep. 25, 2017. Rite-Hite Door's Graphic User Interface (GUI).
(Year: 2017).*

(Continued)

Primary Examiner — Lauren D McVey
(74) *Attorney, Agent, or Firm* — Kilpatrick Townsend & Stockton LLP

(57) **CLAIM**

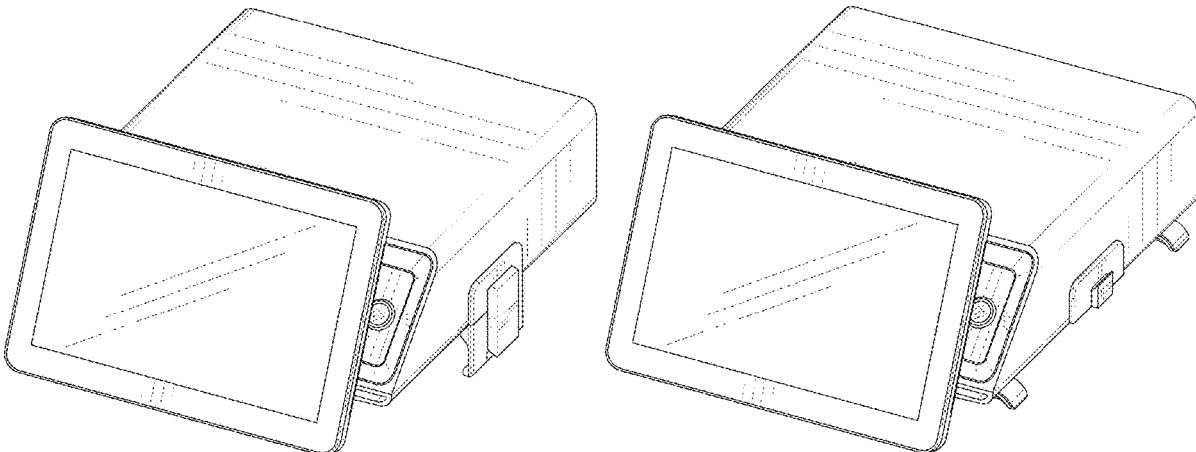
The ornamental design for a graphical user interface device, as shown and described.

DESCRIPTION

FIG. 1 is a top perspective view of a first embodiment of a graphical user interface device showing our new design; FIG. 2 is a bottom perspective view thereof; FIG. 3 is a front elevation view thereof; FIG. 4 is a rear elevation view thereof; FIG. 5 is a left side elevation view thereof; FIG. 6 is a right side elevation view thereof; FIG. 7 is a top plan view thereof; FIG. 8 is a bottom plan view thereof; FIG. 9 is a top perspective view of a second embodiment of a graphical user interface device showing our new design; FIG. 10 is a bottom perspective view thereof; FIG. 11 is a front elevation view thereof; FIG. 12 is a rear elevation view thereof; FIG. 13 is a left side elevation view thereof; FIG. 14 is a right side elevation view thereof; FIG. 15 is a top plan view thereof; and, FIG. 16 is a bottom plan view thereof.

The broken lines immediately adjacent to the shaded areas depict the bounds of the claimed design, while all other broken lines are directed to environment. The broken lines form no part of the claimed design.

1 Claim, 16 Drawing Sheets



(56)

References Cited

OTHER PUBLICATIONS

Shield Fire, Safety & Security Ltd. Link: <http://www.shieldglobal.com/product/fire-detection-and-notification/fire-detection-and-notification-system/omega-series/graphical-user-interface-for-fire-detection-equipment/>. Visited Oct. 30, 2020. Graphical User Interface for Fire Detection Equipment. (Year: 2020).*

* cited by examiner

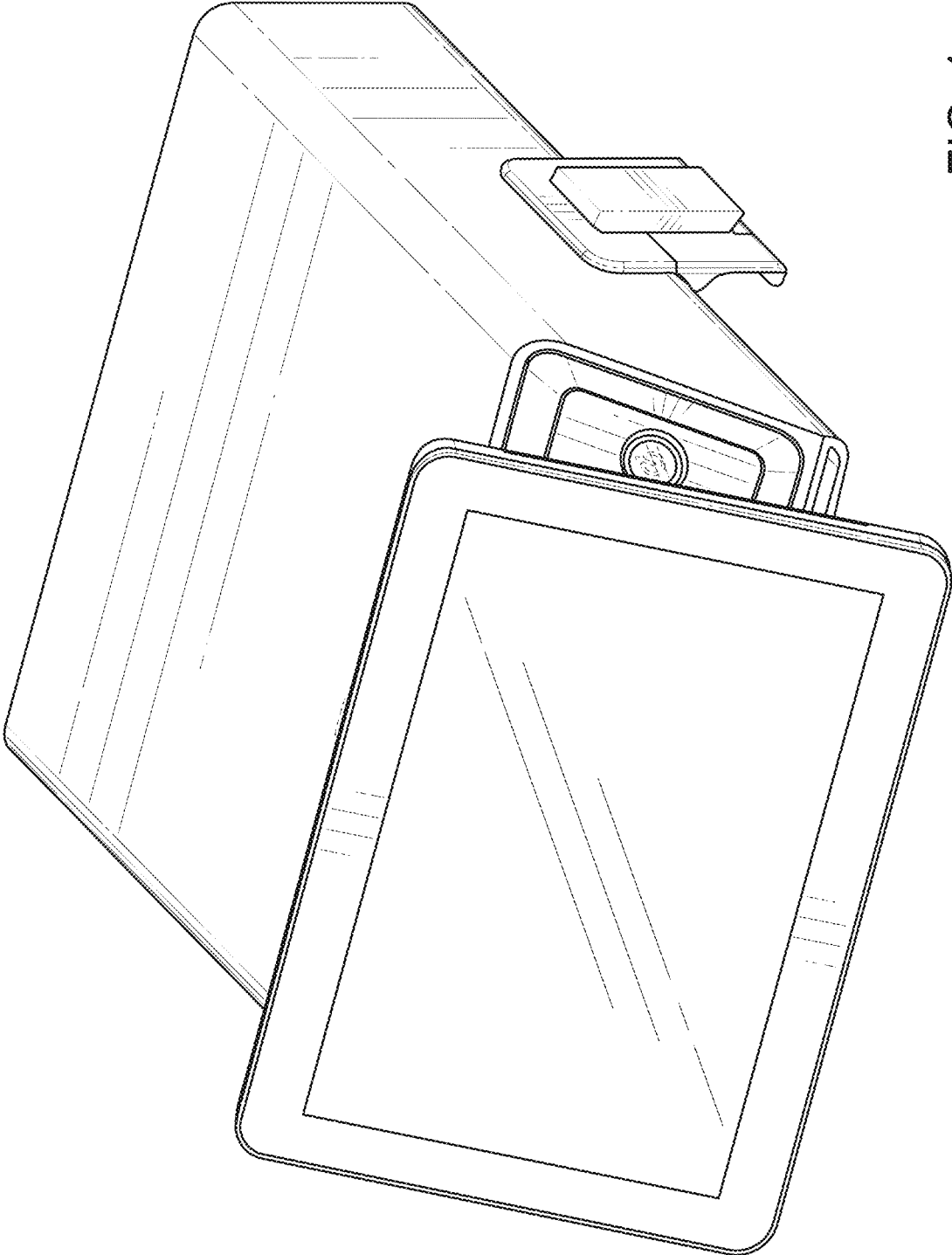


FIG. 1

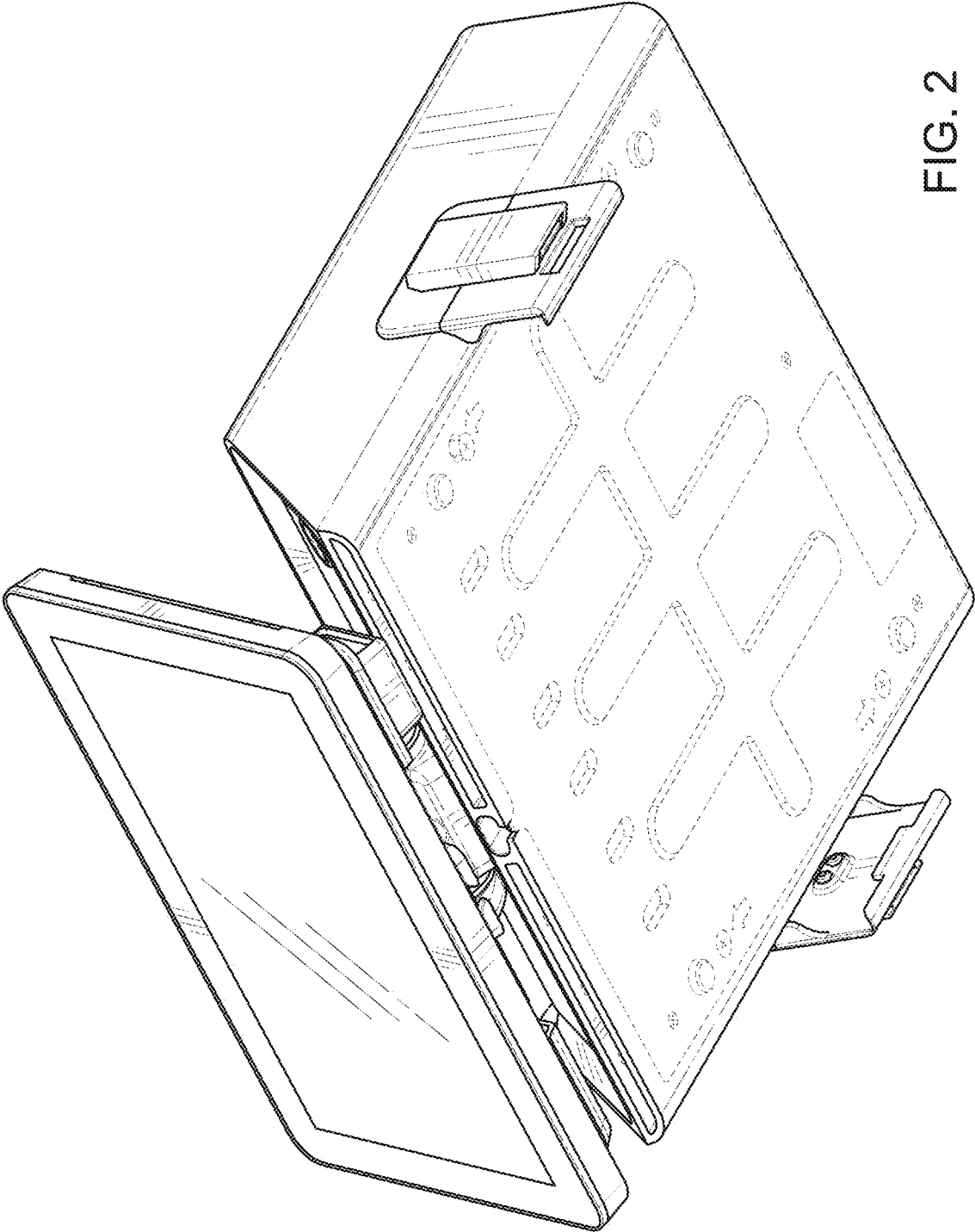


FIG. 2

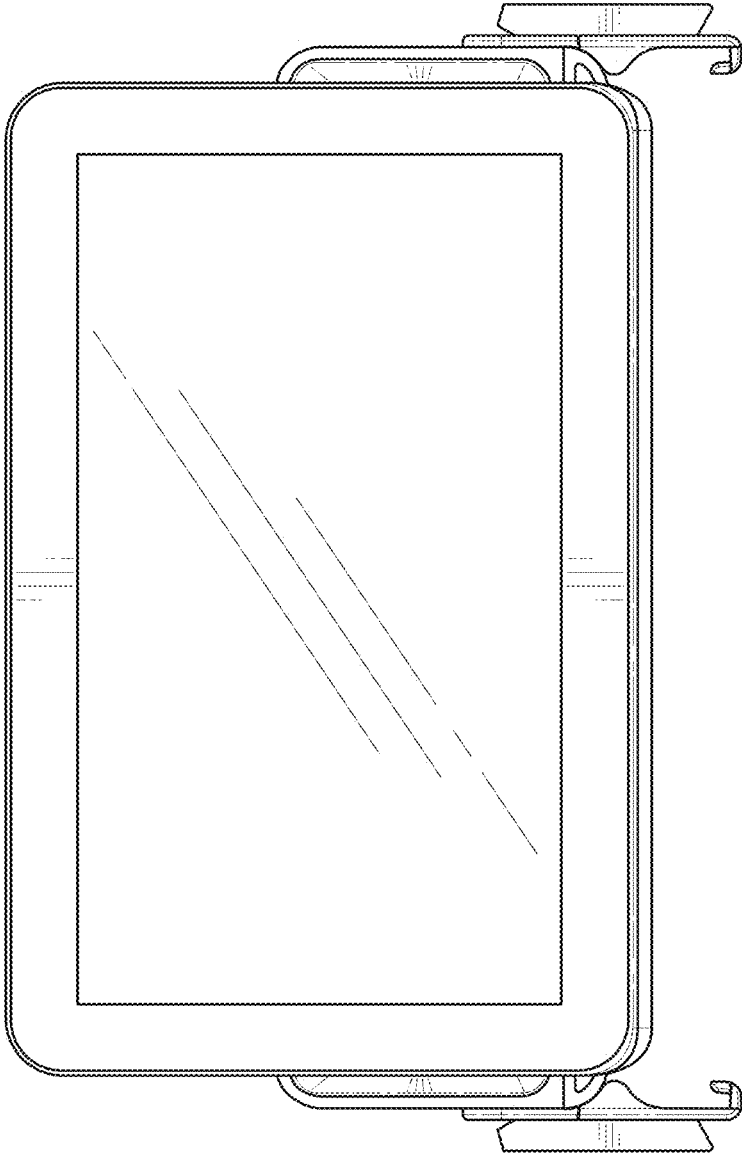


FIG. 3

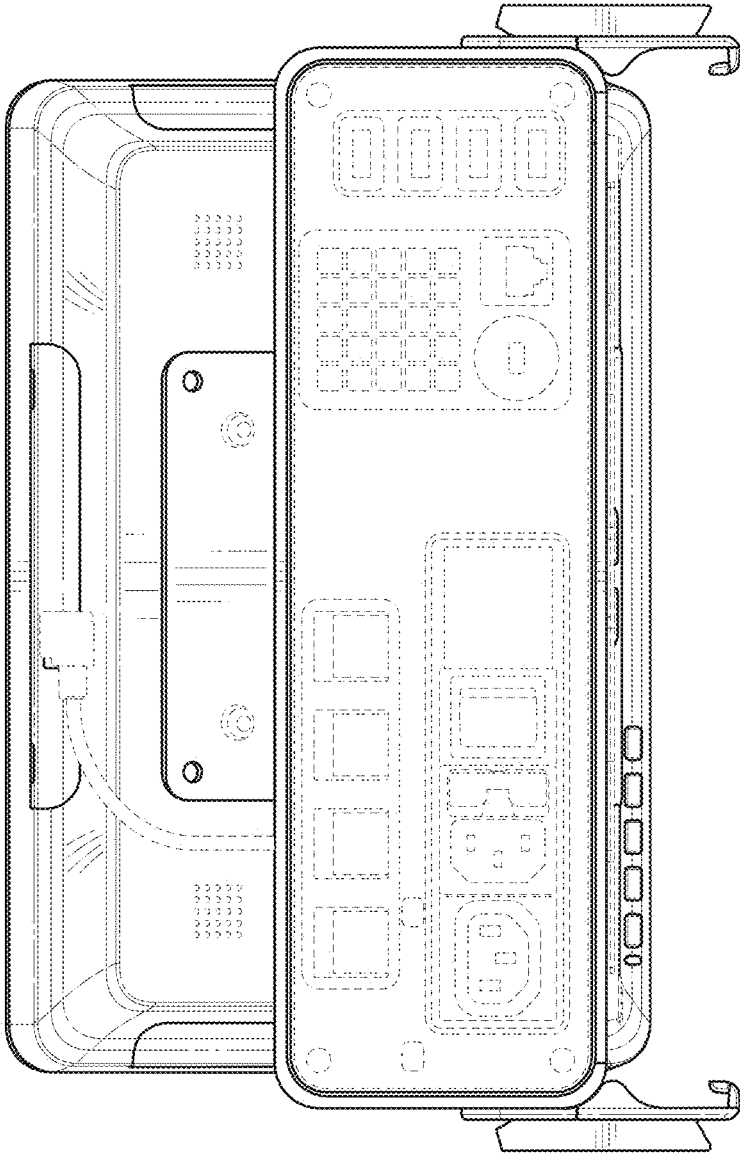


FIG. 4

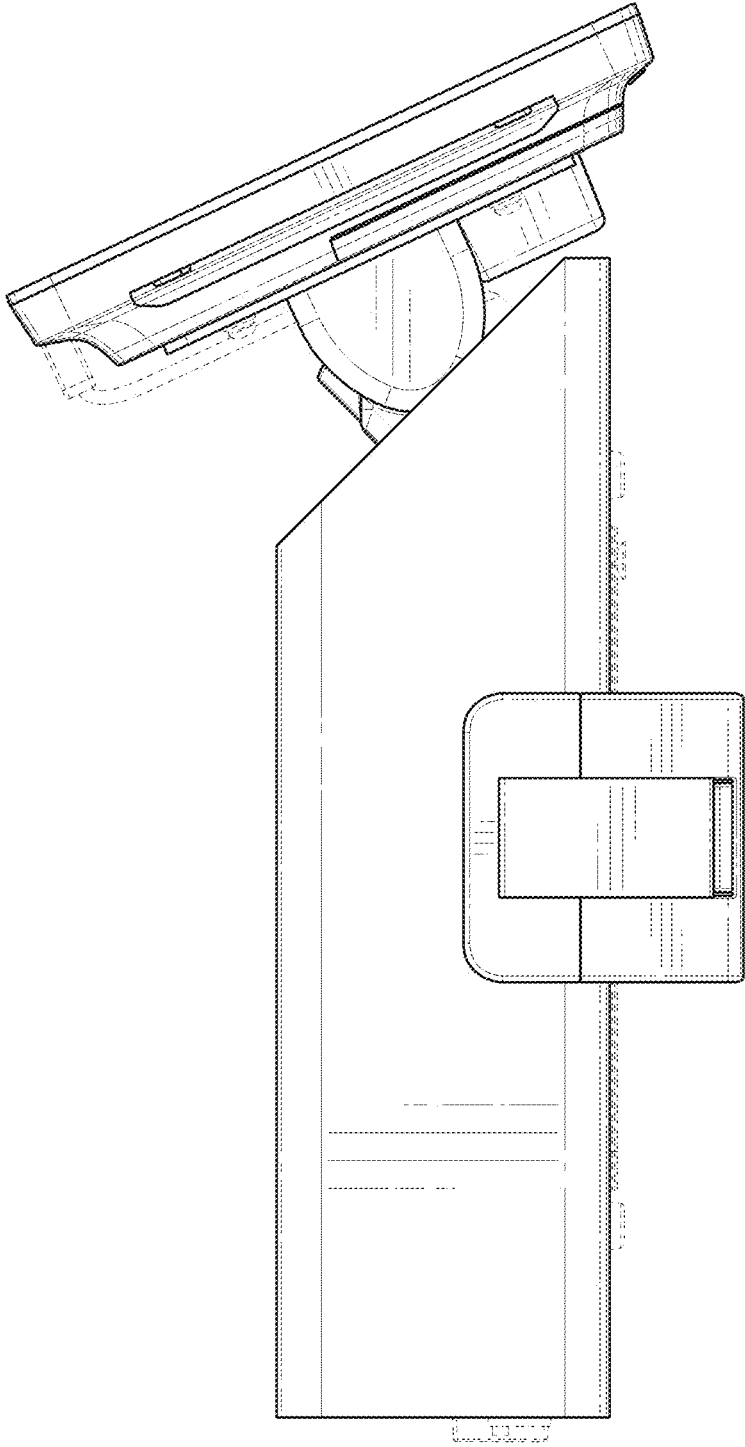


FIG. 5

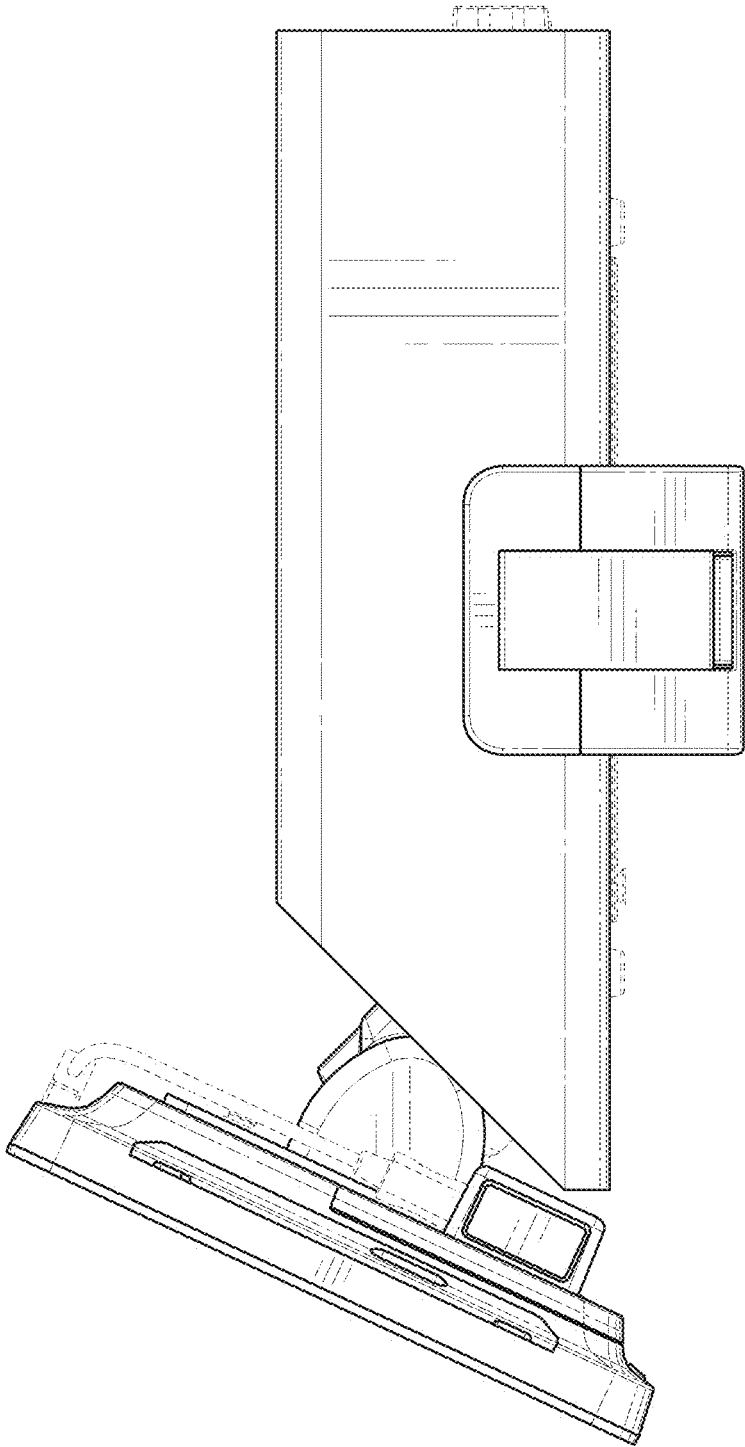


FIG. 6

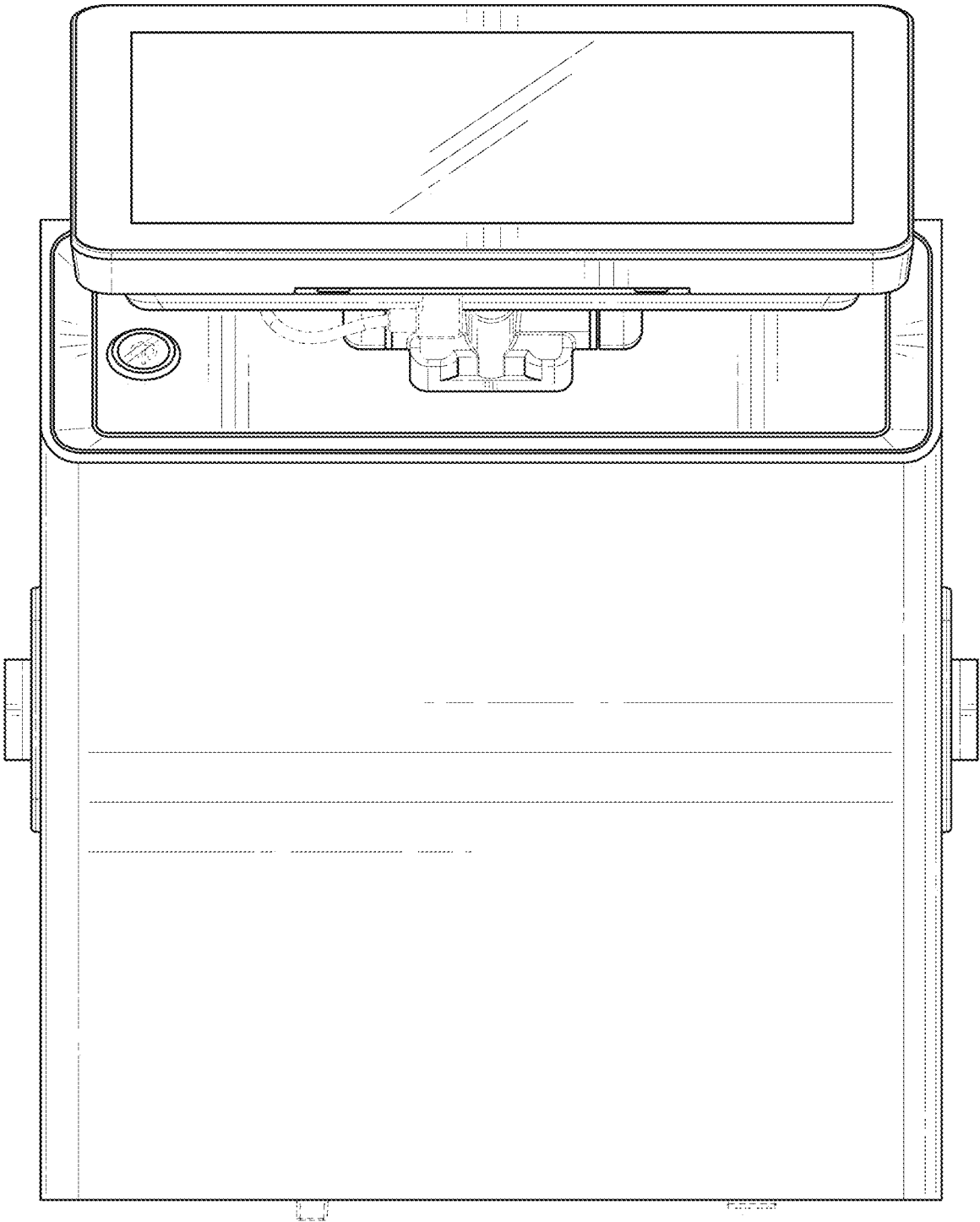


FIG. 7

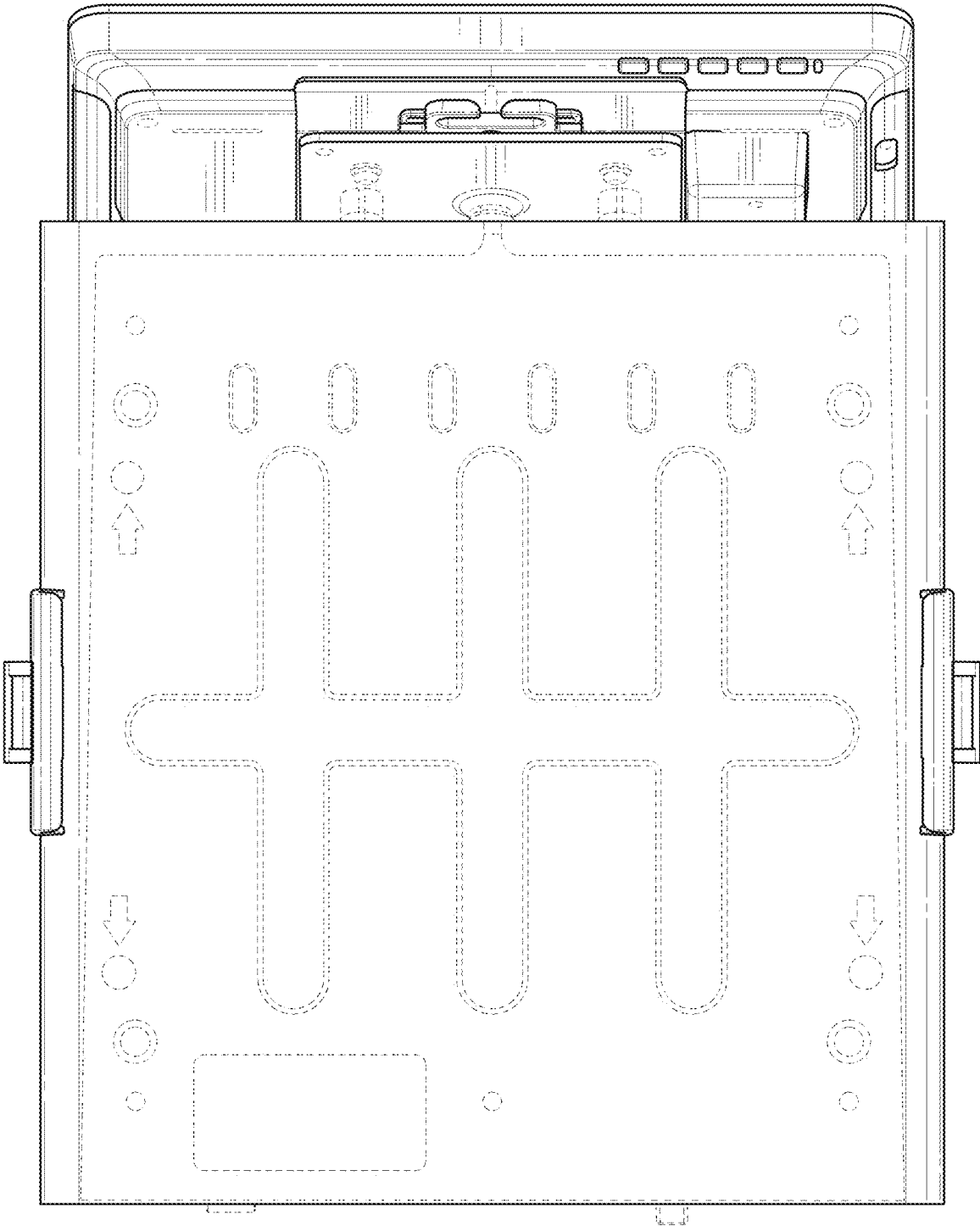


FIG. 8

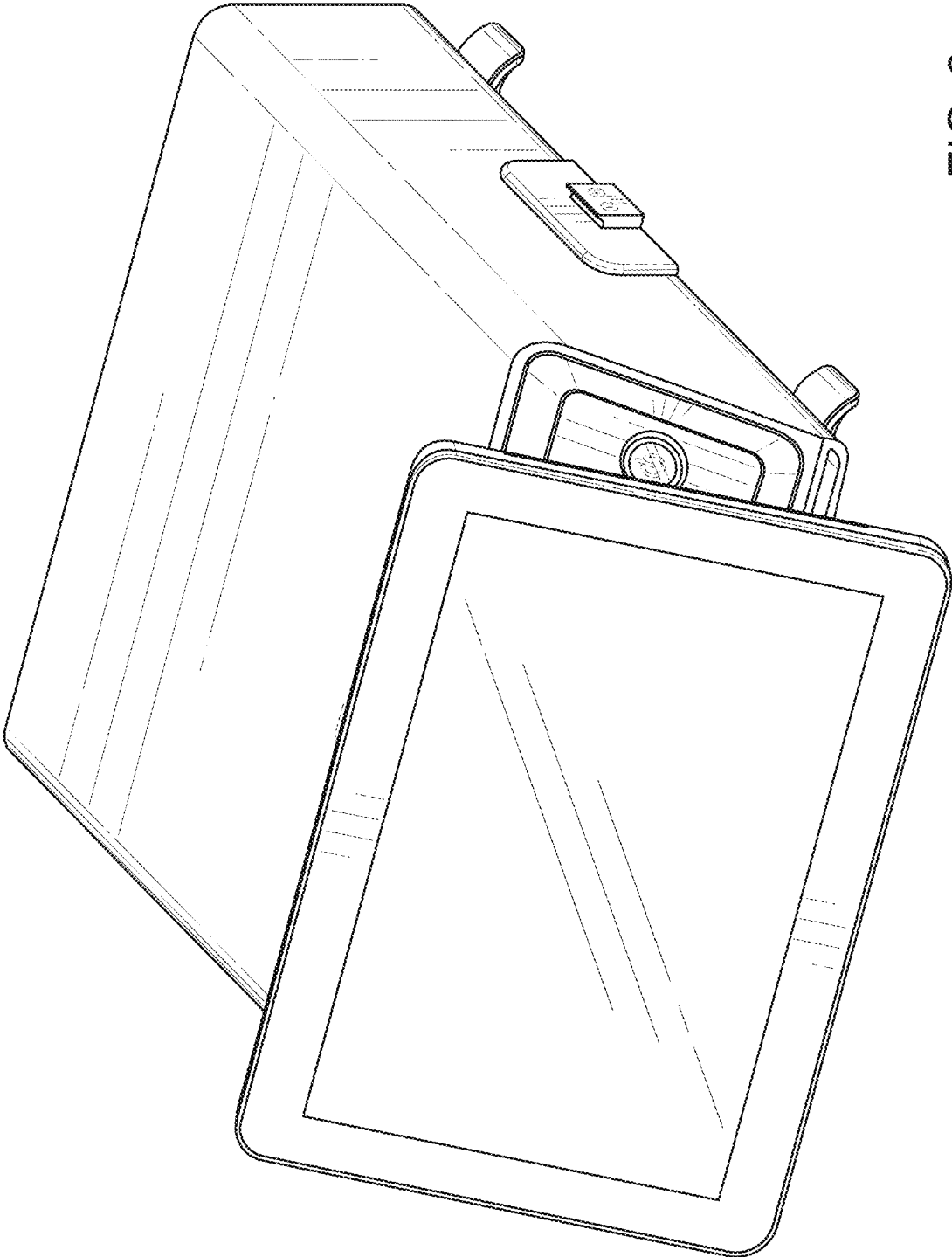


FIG. 9

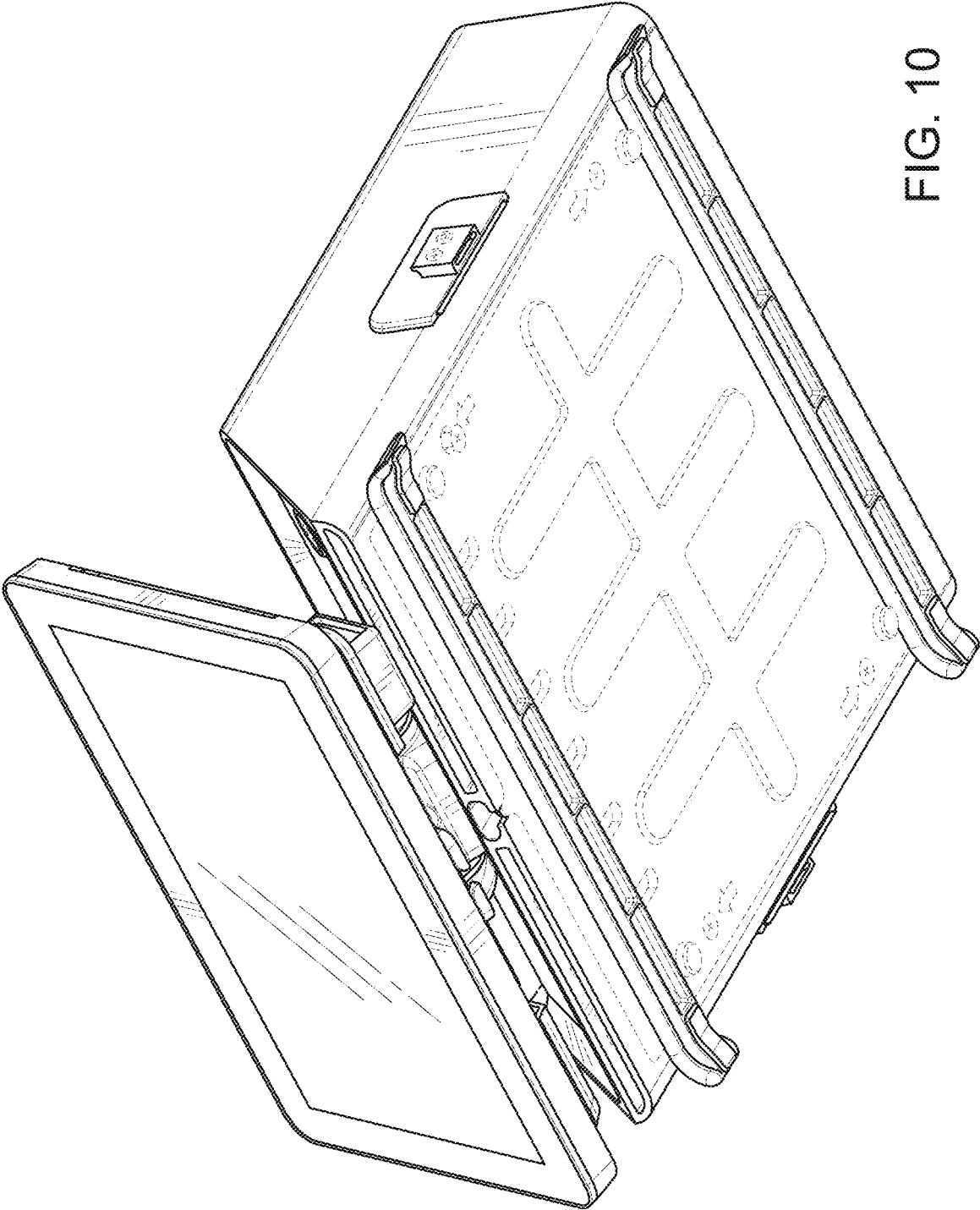


FIG. 10

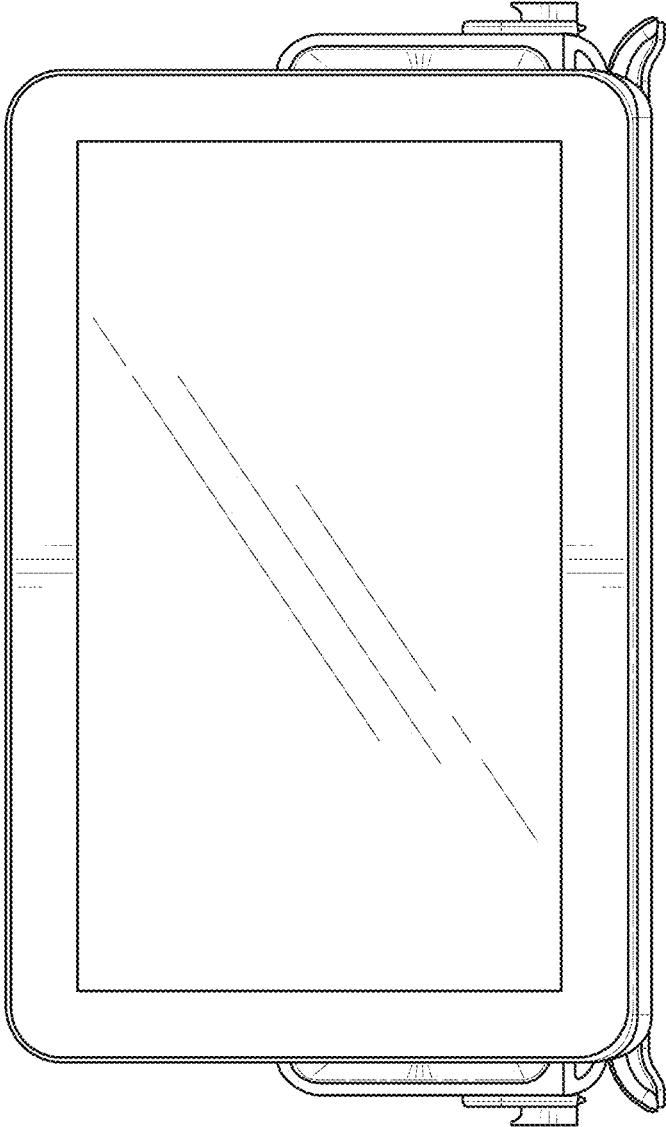


FIG. 11

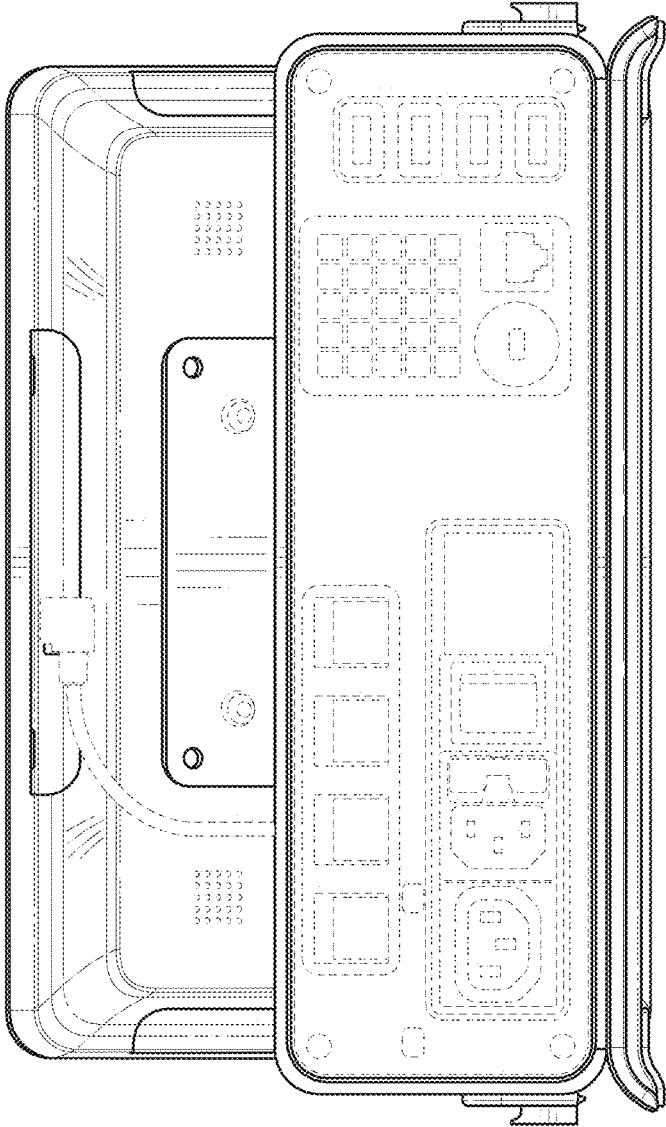


FIG. 12

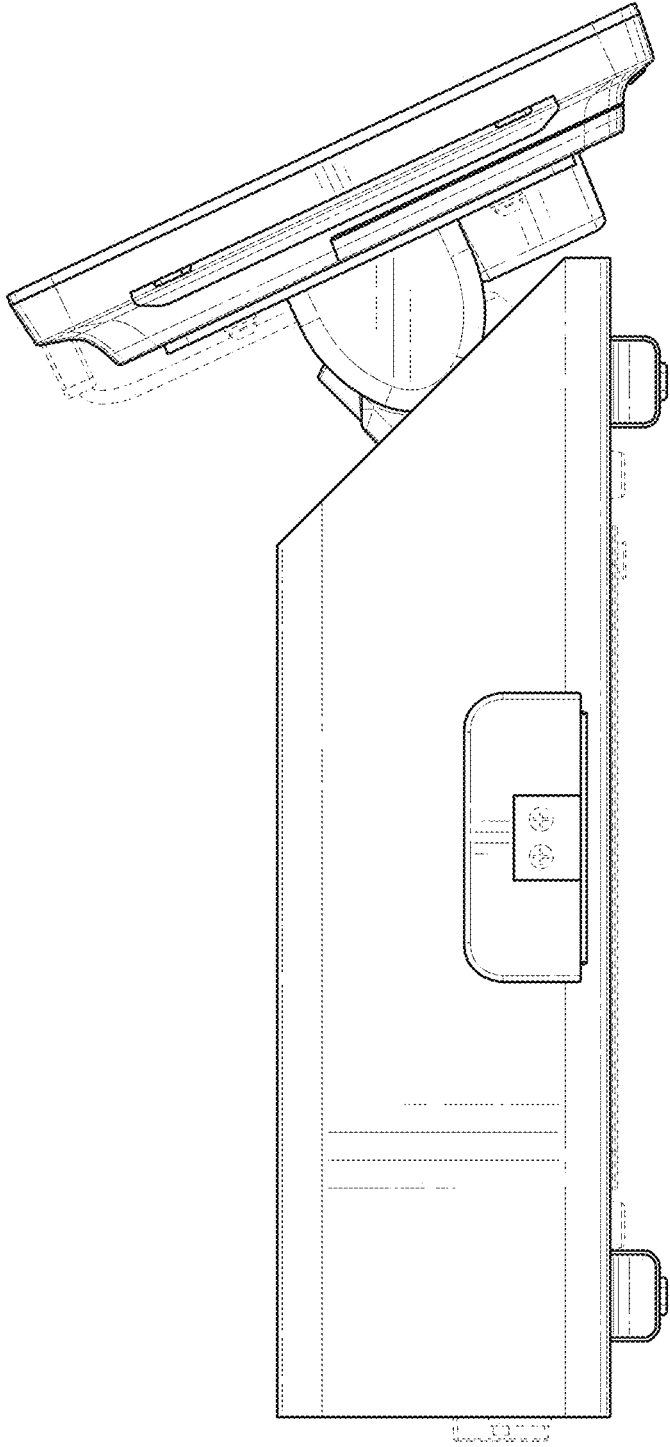


FIG. 13

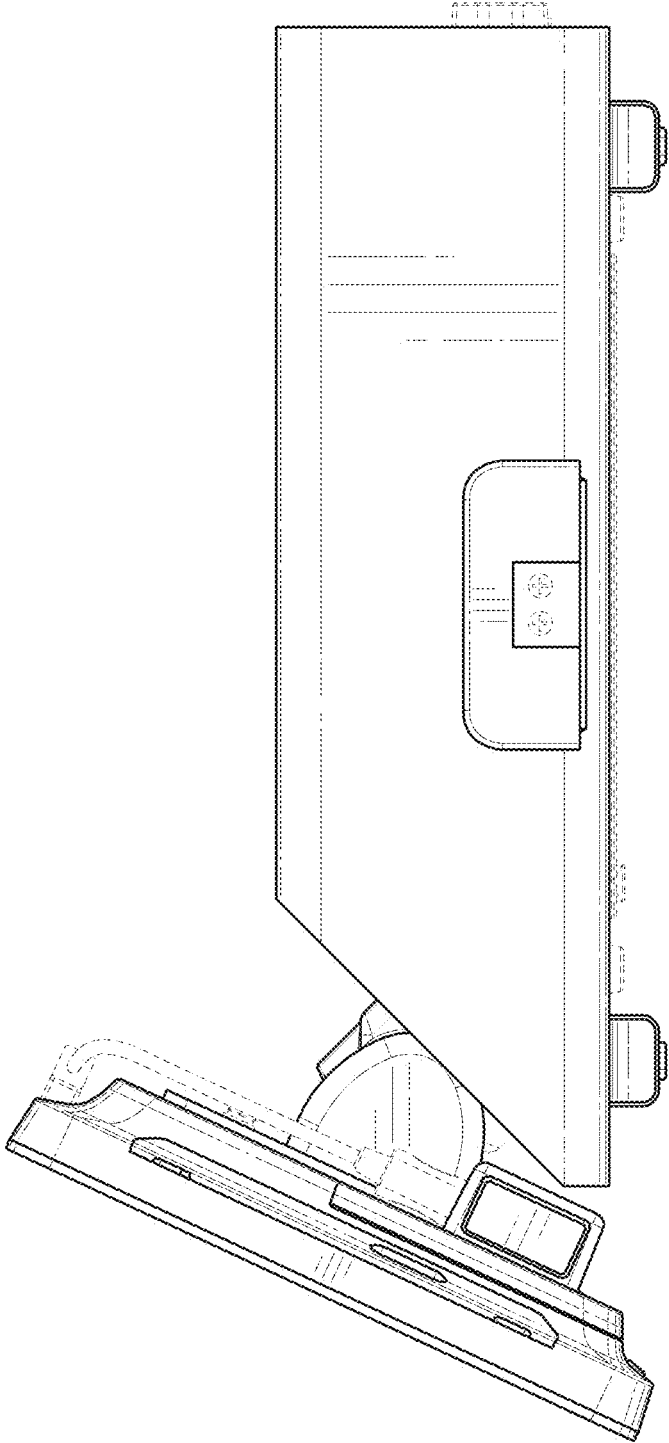


FIG. 14

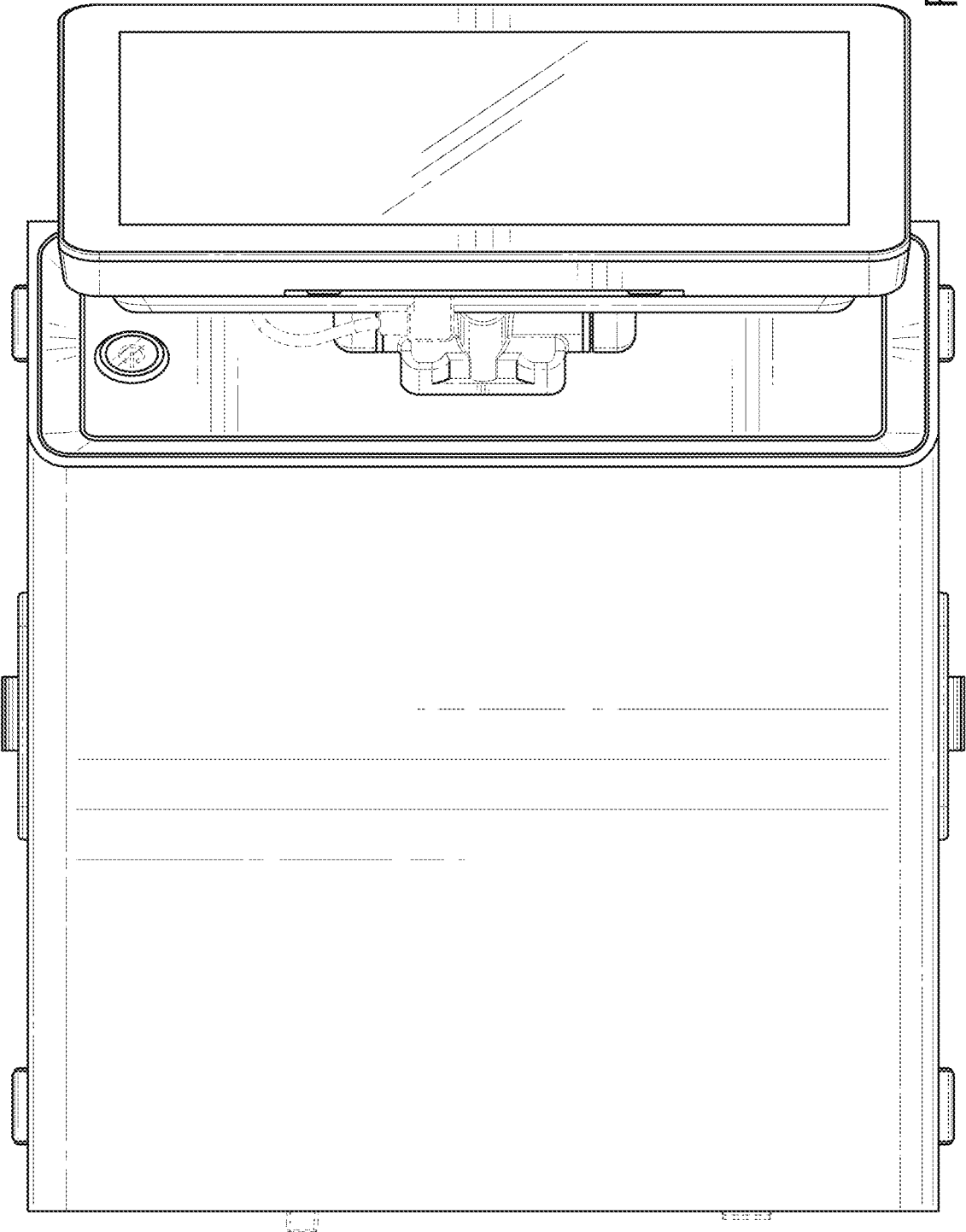


FIG. 15

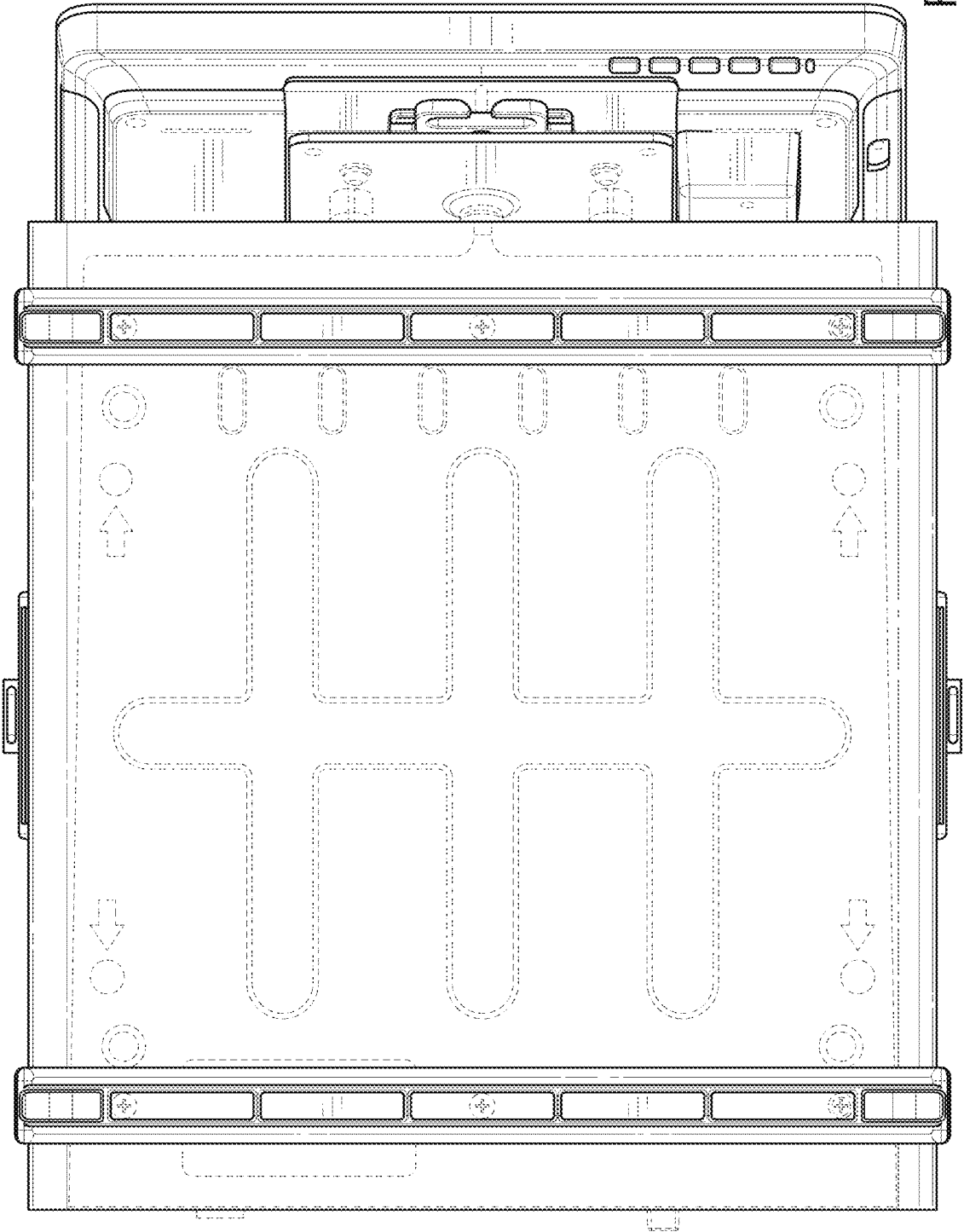


FIG. 16