



US00D432409S

**United States Patent** [19]  
**Feldmeier**

[11] **Patent Number: Des. 432,409**  
[45] **Date of Patent: \*\* Oct. 24, 2000**

[54] **FOOD PACKAGE TRAY**

[75] Inventor: **Daniel R. Feldmeier**, Waunakee, Wis.

[73] Assignee: **Kraft Foods, Inc.**, Northfield, Ill.

[\*\*] Term: **14 Years**

[21] Appl. No.: **29/099,442**

[22] Filed: **Jan. 21, 1999**

[51] **LOC (7) Cl.** ..... **09-03**

[52] **U.S. Cl.** ..... **D9/341; D9/347**

[58] **Field of Search** ..... **D7/545, 549, 553.2, D7/555, 556, 587, 602-604, 612-615, 629, 509, 523, 543; D9/337, 341, 345-347, 420-421, 430-432, 425, 414, 415; 206/562-564; 220/527-528, 556-557; 229/407**

[56] **References Cited**

**U.S. PATENT DOCUMENTS**

- D. 183,047 6/1958 Helmer .
- D. 185,911 8/1959 Chadbourne ..... D7/555
- D. 196,854 11/1963 Nicholson .
- D. 206,762 1/1967 Kirwan .
- D. 211,697 7/1968 Collie .
- D. 213,491 3/1969 Beeman et al. .
- D. 213,492 3/1969 Beeman et al. .
- D. 235,499 6/1975 Brantford ..... D7/553.3
- D. 247,124 1/1978 Beecher .
- D. 258,632 3/1981 Commisso .
- D. 268,645 4/1983 Phillips et al. .
- D. 273,363 4/1984 Hagedorn et al. .

- D. 280,290 8/1985 Bakus .
- D. 283,666 5/1986 Holzkopf .
- D. 305,002 12/1989 Hayes et al. .
- D. 318,207 7/1991 Anderson ..... D7/553.2
- D. 334,536 4/1993 Long et al. .
- D. 339,522 9/1993 Zoss .
- D. 352,203 11/1994 Campbell et al. .... D7/553.2
- D. 376,953 12/1996 Dunn ..... D7/549
- D. 388,699 1/1998 Hayes et al. .... D9/341
- D. 395,003 6/1998 Daniels .
- D. 414,409 9/1999 Sanfilippo et al. .... D9/341
- 4,219,144 8/1980 Hagelberg ..... 229/406
- 5,152,398 10/1992 Forestal et al. .
- 5,236,119 8/1993 Chu .
- 5,323,928 6/1994 Stevens .
- 5,803,305 9/1998 Perlis et al. .

*Primary Examiner*—James Gandy  
*Assistant Examiner*—Carol Rademaker

[57] **CLAIM**

The ornamental design for a food package tray, as shown and described.

**DESCRIPTION**

FIG. 1 is a perspective view of a food package tray showing a preferred embodiment of my new design; FIG. 2 is a front elevational view thereof; FIG. 3 is a right end elevational view thereof; FIG. 4 is a left end elevational view thereof; FIG. 5 is a rear elevational view thereof; FIG. 6 is a top plan view thereof; and, FIG. 7 is a bottom plan view thereof.

**1 Claim, 3 Drawing Sheets**

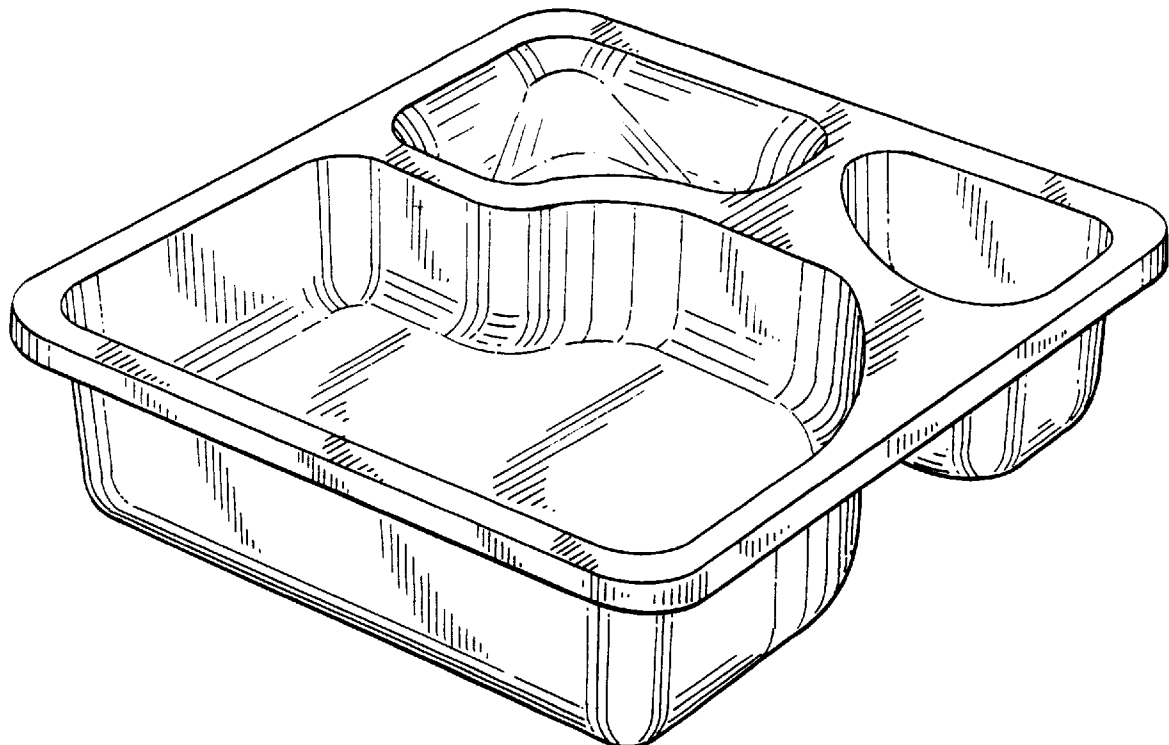


FIG. 1

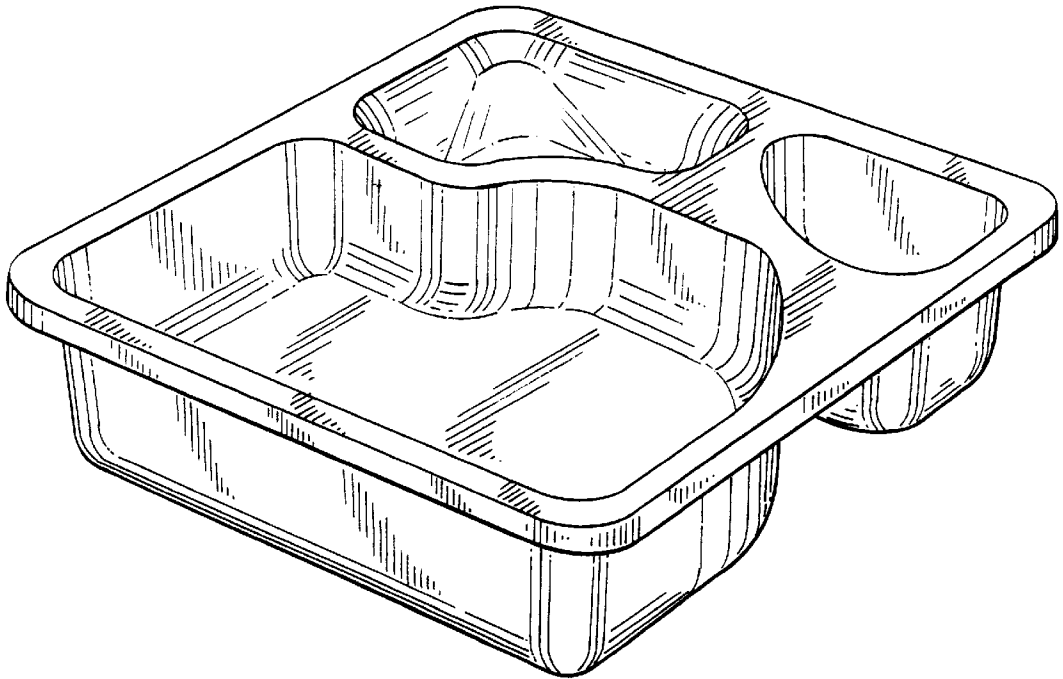


FIG. 2

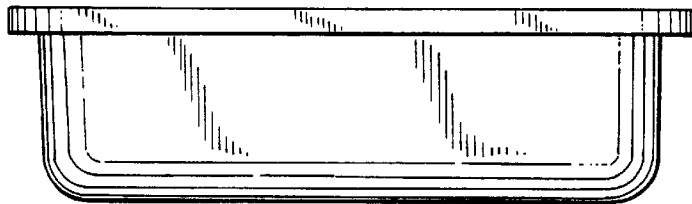


FIG. 3

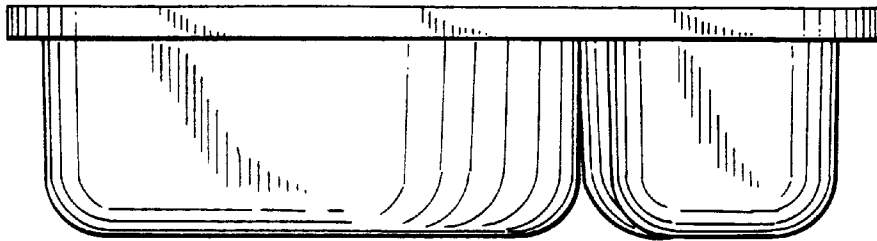


FIG. 4

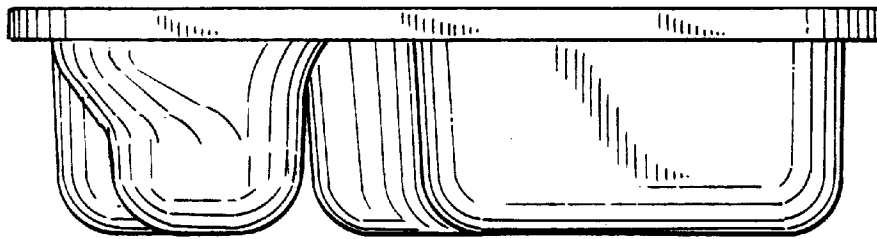


FIG. 5

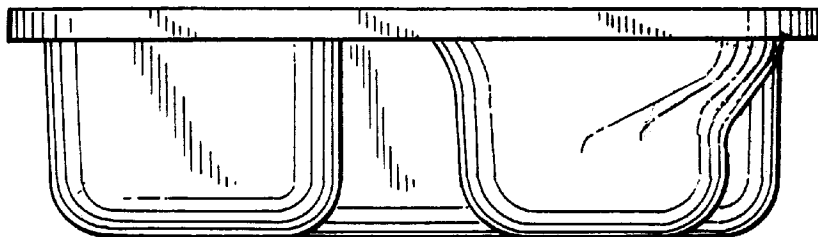


FIG. 6

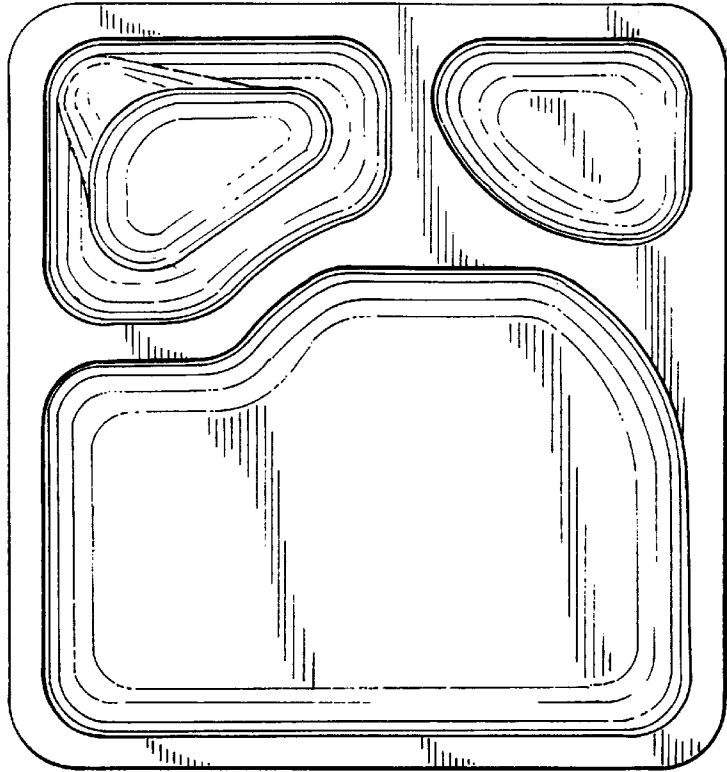


FIG. 7

