



(12) **United States Design Patent**  
**Thanasouk**

(10) **Patent No.:** **US D630,886 S**  
(45) **Date of Patent:** **\*\* Jan. 18, 2011**

(54) **COOKING TRAY AND RACK COMBINATION**

(76) Inventor: **Sayaphone Thanasouk**, 7305 SW. 191st St., Beaverton, OR (US) 97007

(\*\*) Term: **14 Years**

(21) Appl. No.: **29/362,705**

(22) Filed: **May 28, 2010**

(51) **LOC (9) Cl.** ..... **07-02**

(52) **U.S. Cl.** ..... **D7/360; D7/354**

(58) **Field of Classification Search** ..... D3/201, D3/304, 307-314; D7/323, 354-363, 402, D7/408-409, 505, 543-546, 554.1-554.4, D7/560, 584-588, 629; D9/414, 425, 430-434, D9/452, 456, 755, 760-761, 781-783; D24/226-230; D32/53; 99/340, 425-426, 430, 433, 450; 126/369; 219/728-730; 220/23.2, 534, 543, 220/573.1-573.3, 756, 769, 912; 229/5.82, 229/407; 249/53 R, 117, 136  
See application file for complete search history.

(56) **References Cited**

**U.S. PATENT DOCUMENTS**

162,617 A *	4/1875	Brightman	.....	220/756
527,252 A *	10/1894	Stroud	.....	126/369
D50,818 S *	5/1917	Miller	.....	D32/53
3,804,965 A	4/1974	Peters		
3,828,759 A	8/1974	Cooper		
4,971,216 A *	11/1990	Fortune	.....	220/756
5,029,721 A *	7/1991	Timpe	.....	220/769

D340,614 S *	10/1993	Kaeding	.....	D7/360
5,511,467 A *	4/1996	Motley et al.	.....	99/426
5,572,924 A	11/1996	Crnjanski		
D395,548 S *	6/1998	Morissette	.....	D3/307
6,131,506 A *	10/2000	Kemper	.....	99/425
6,173,644 B1 *	1/2001	Krall	.....	99/340
6,213,005 B1 *	4/2001	Sherman et al.	.....	99/426
D472,423 S *	4/2003	Swinford et al.	.....	D7/359
6,823,773 B2	11/2004	Swinford et al.		
6,952,991 B2	10/2005	Siegel et al.		
D609,961 S *	2/2010	Bodum	.....	D7/354

\* cited by examiner

*Primary Examiner*—Ricky Pham

(74) *Attorney, Agent, or Firm*—Crossley Patent Law; Mark A. Crossley

(57) **CLAIM**

The ornamental design for a cooking tray and rack combination, as shown and described.

**DESCRIPTION**

FIG. 1 is a front elevation view of a cooking tray and rack combination showing my new design with a rack removed for clarity, the rear being a mirror image of the shown;

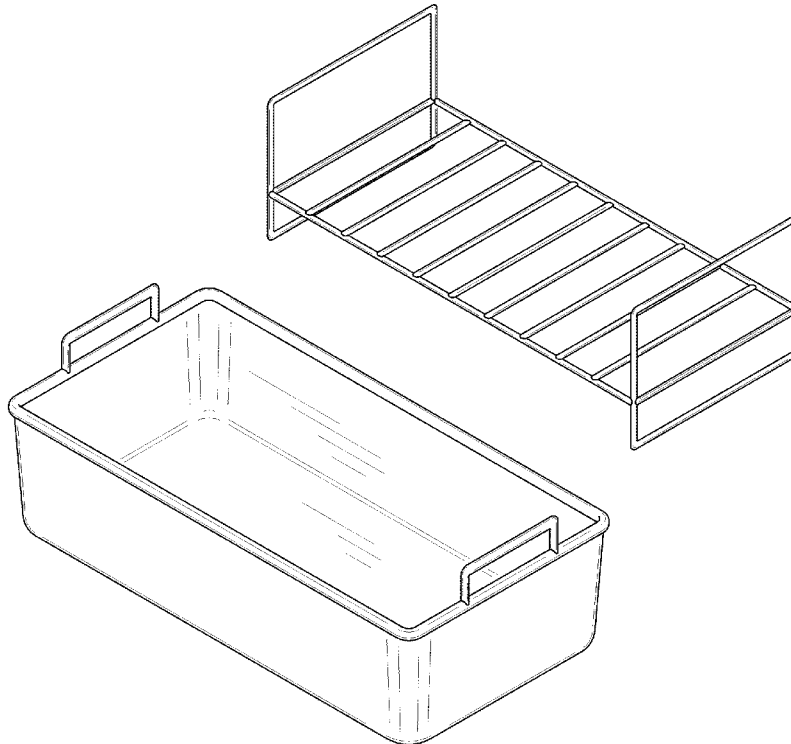
FIG. 2 is a right elevation view thereof, the opposite side being a mirror image of the shown;

FIG. 3 is a top plan view thereof;

FIG. 4 is a bottom plan view thereof; and,

FIG. 5 is an isometric view thereof.

**1 Claim, 5 Drawing Sheets**



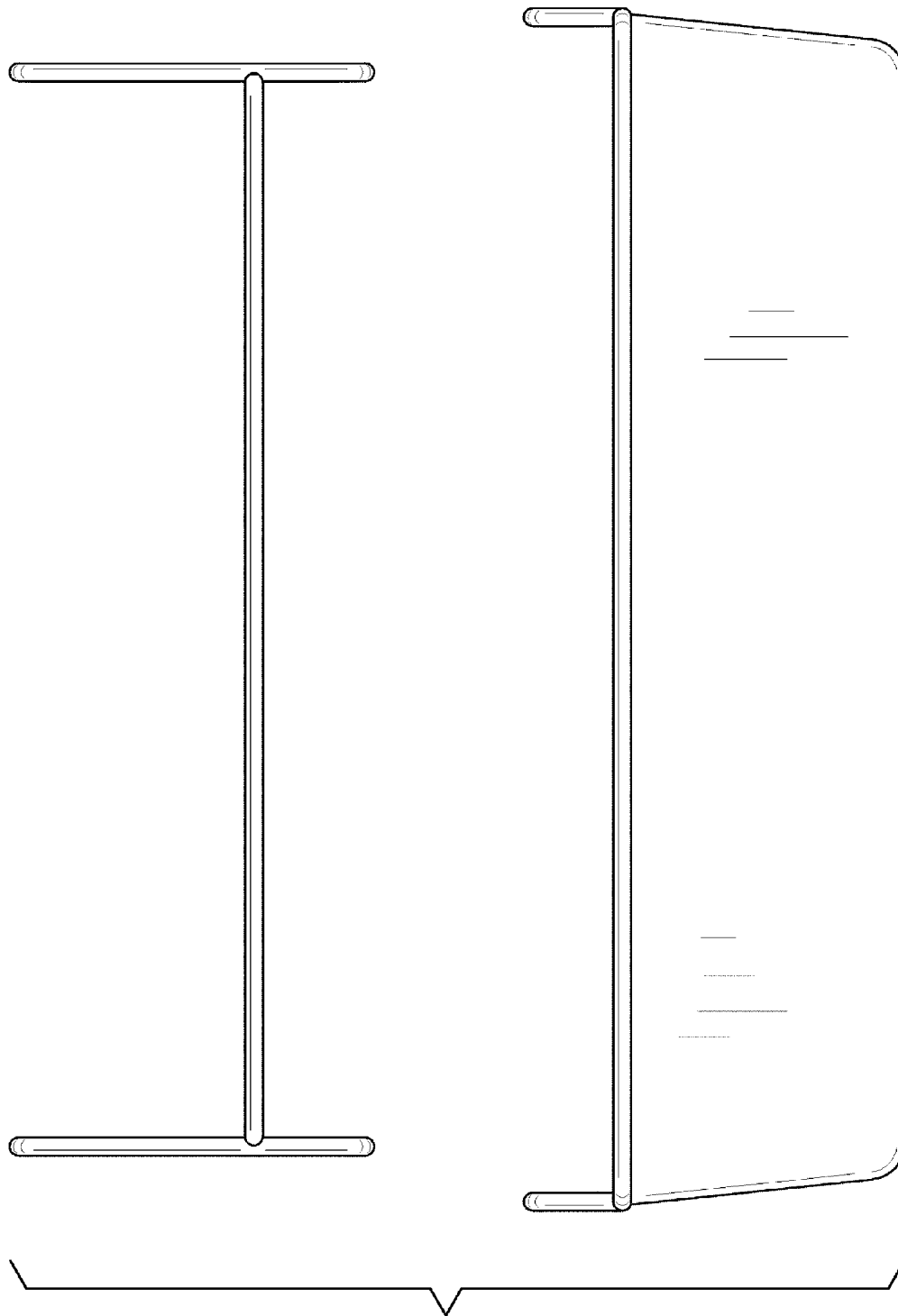


FIG. 1

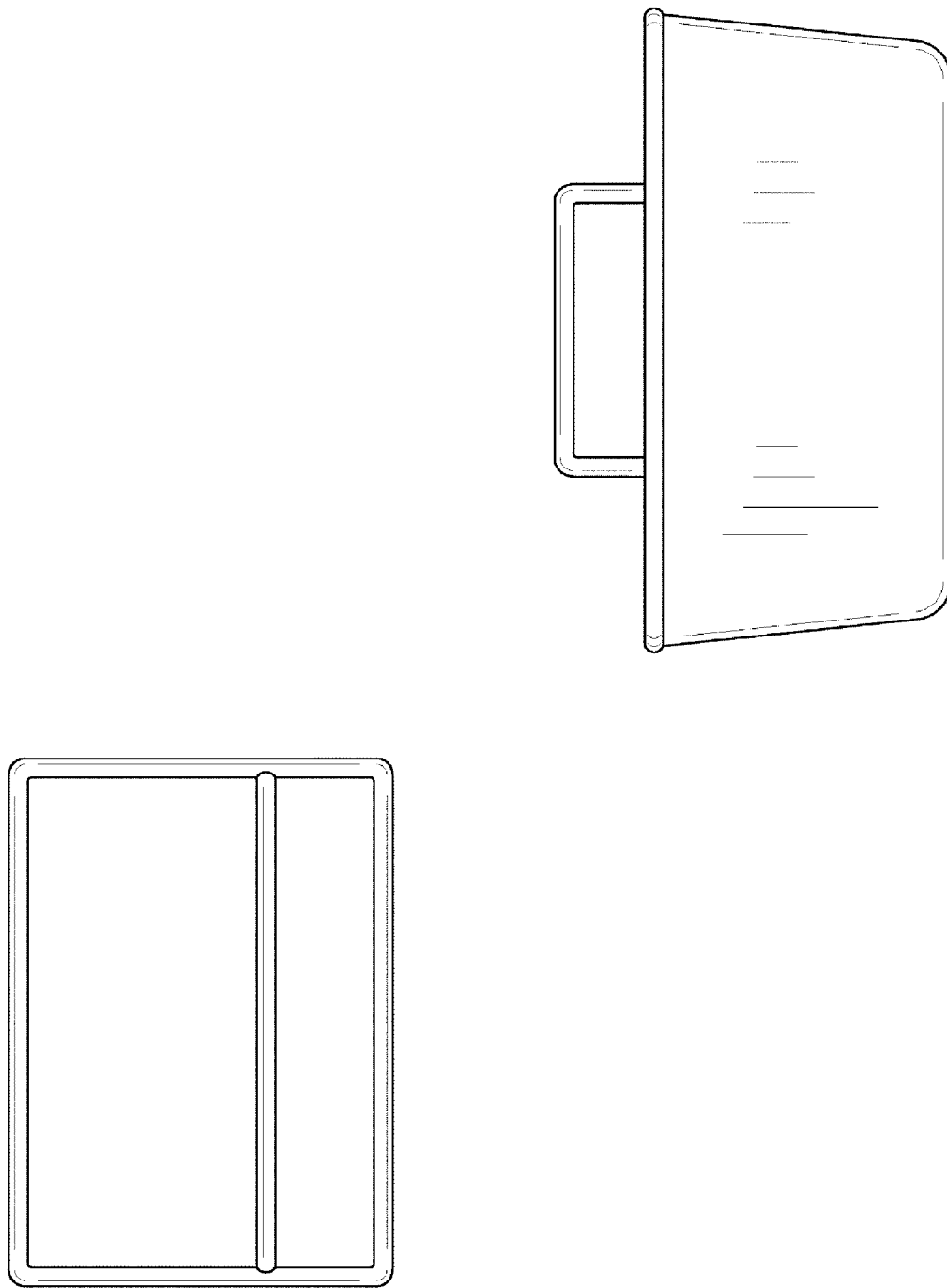


FIG. 2

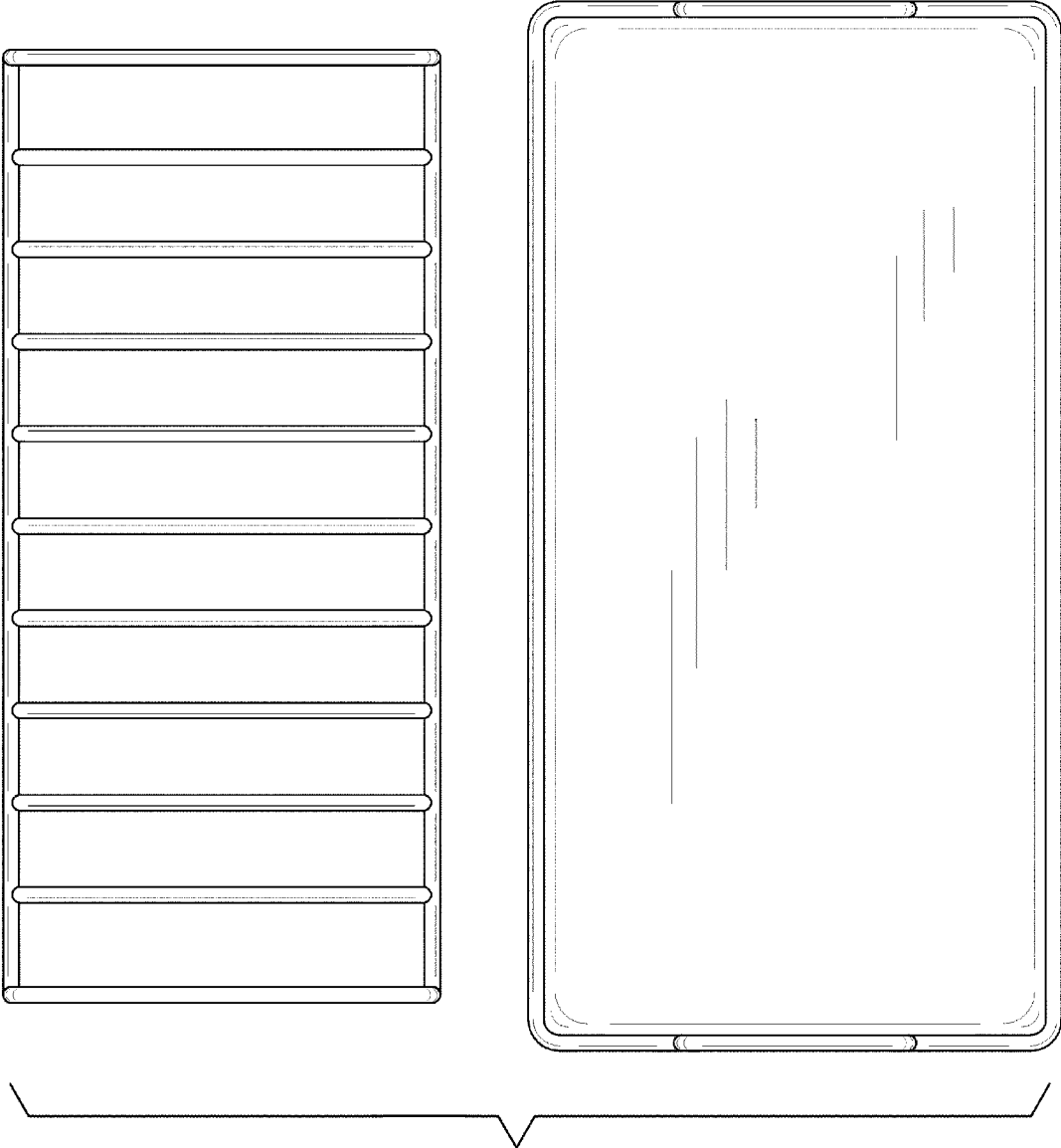


FIG. 3

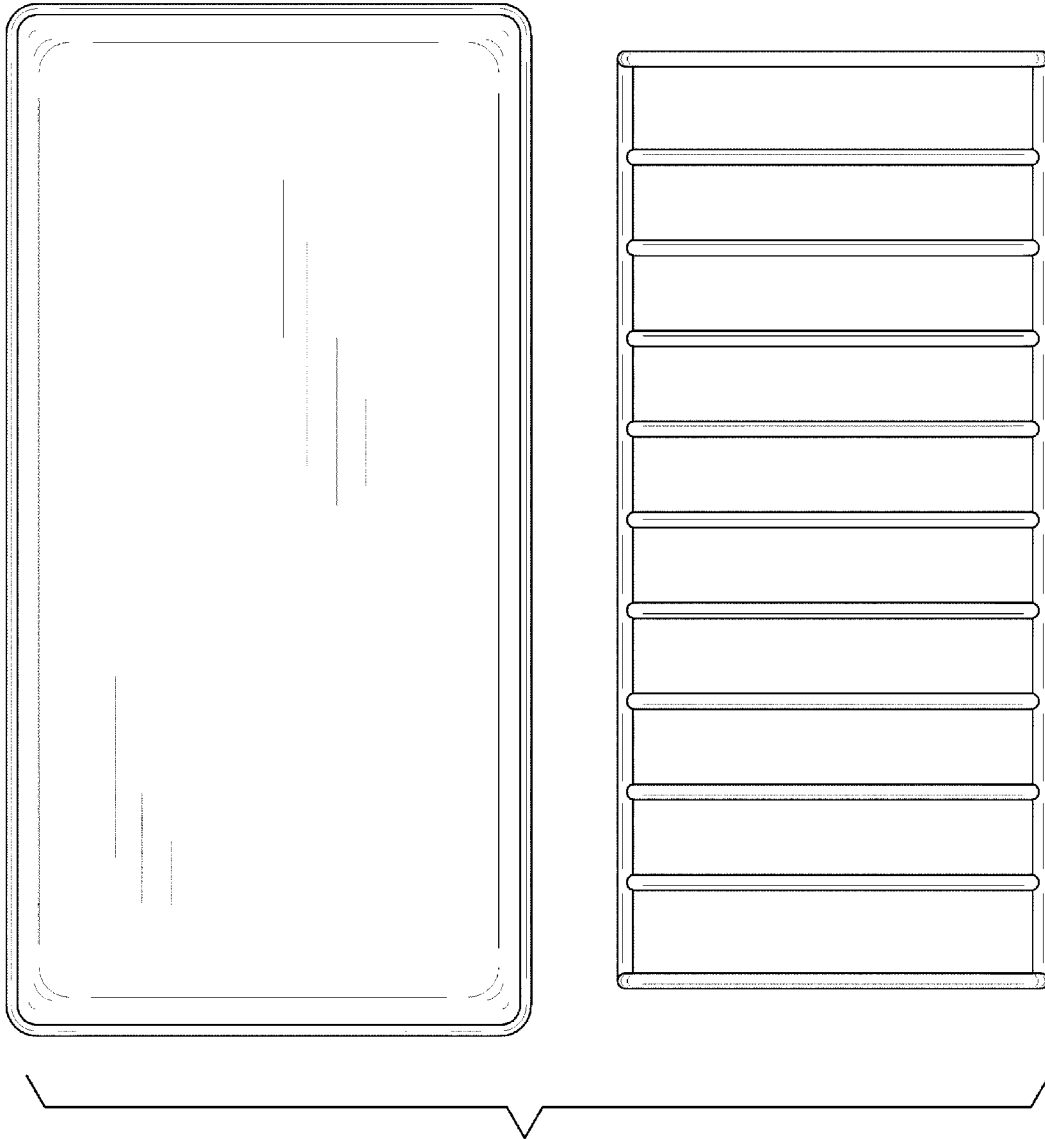


FIG. 4

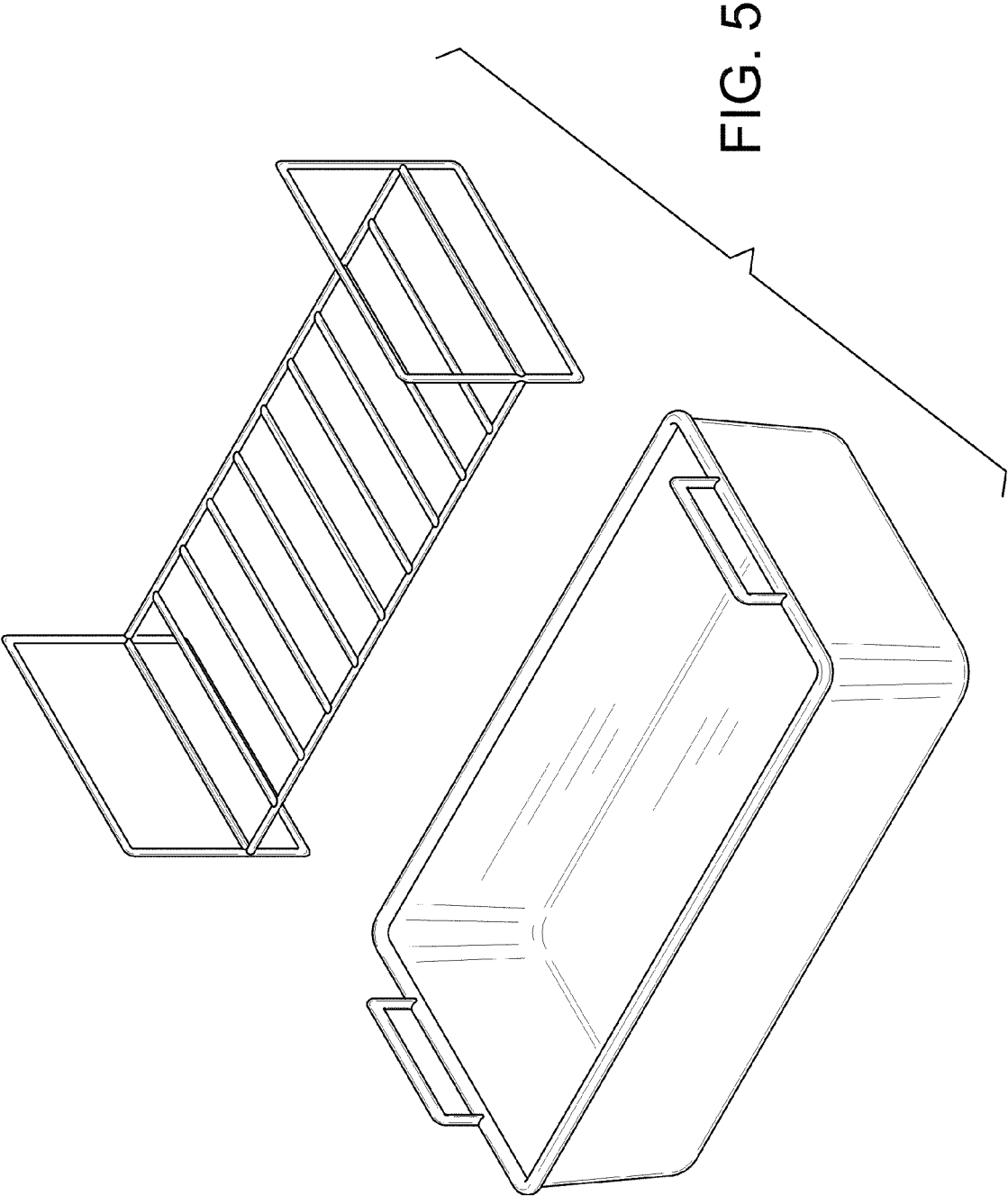


FIG. 5