

(12) **United States Design Patent** (10) **Patent No.:** **US D900,227 S**  
**Jung** (45) **Date of Patent:** **\*\* Oct. 27, 2020**

- (54) **CASE FOR HANDHELD ELECTRONIC GAME**
- (71) Applicant: **SPIGEN KOREA CO., LTD.**, Seoul (KR)
- (72) Inventor: **Soo Ha Jung**, Seoul (KR)
- (73) Assignee: **SPIGEN KOREA CO., LTD.**, Seoul (KR)
- (\*\*) Term: **15 Years**
- (21) Appl. No.: **29/718,625**
- (22) Filed: **Dec. 26, 2019**
- (51) **LOC (12) Cl.** ..... **21-01**
- (52) **U.S. Cl.**  
 USPC ..... **D21/333**
- (58) **Field of Classification Search**  
 USPC ..... D14/203.3–203.7, 439, 251–253, 447, D14/217, 240, 248, 238.1, 440, 250, 454; D13/103, 107–108, 119; D3/201, 218, D3/247, 249, 269, 273, 301, 303; D21/333  
 CPC ..... H04B 1/3888; H04M 1/0283; H04M 1/0202; A45C 1/06; A45C 11/00; A45C 13/02; A45C 2011/002; A45F 2005/026; A45F 2200/0525; A45F 2200/0516  
 See application file for complete search history.

(56) **References Cited**

**U.S. PATENT DOCUMENTS**

D429,563 S \* 8/2000 Kurano ..... D3/226  
 D432,586 S \* 10/2000 Galli-Zugaro ..... D21/333  
 D447,865 S \* 9/2001 Hillman ..... D3/226  
 D452,247 S \* 12/2001 Flynn ..... D14/454  
 D461,631 S \* 8/2002 Hussaini ..... D3/218  
 D461,850 S \* 8/2002 Hussaini ..... D21/333  
 6,616,111 B1 \* 9/2003 White ..... G06F 1/1626  
 206/320  
 D496,785 S \* 10/2004 Hussaini ..... D3/218

D532,829 S \* 11/2006 Kawanobe ..... D21/333  
 D542,032 S 5/2007 Williams et al.  
 D542,855 S \* 5/2007 Lim ..... D14/401  
 D542,856 S \* 5/2007 Lim ..... D14/401  
 D624,129 S \* 9/2010 Lim ..... D21/333  
 D664,602 S \* 7/2012 Chiu ..... D14/432  
 D671,932 S 12/2012 Azoulay  
 D685,779 S \* 7/2013 Schriefer ..... D14/250  
 D712,890 S \* 9/2014 McCormac ..... D14/250  
 D716,280 S 10/2014 Macrina et al.  
 D720,342 S \* 12/2014 Starrett ..... D14/252  
 D730,343 S 5/2015 Hemesath et al.  
 D733,154 S 6/2015 Armstrong et al.  
 D743,388 S 11/2015 Fitzpatrick et al.  
 D745,505 S 12/2015 Barfoot et al.  
 D745,506 S 12/2015 Barfoot et al.  
 D747,303 S 1/2016 Su et al.  
 9,281,859 B1 \* 3/2016 Lee ..... H04B 1/3888

(Continued)

*Primary Examiner* — Carla J Wright  
 (74) *Attorney, Agent, or Firm* — Heedong Chae; Lucem. PC

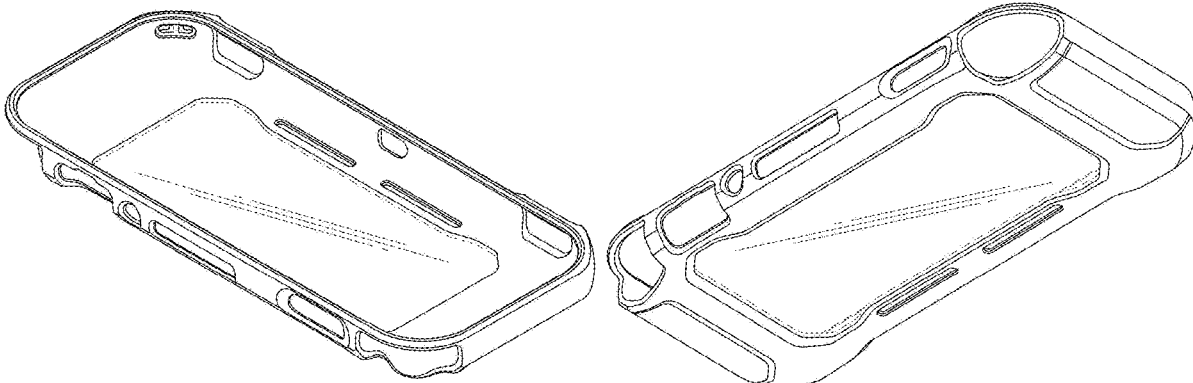
(57) **CLAIM**

The ornamental design for a case for handheld electronic game, as shown and described.

**DESCRIPTION**

FIG. 1 is a front perspective view of a case for handheld electronic game showing my new design;  
 FIG. 2 is another front perspective view thereof;  
 FIG. 3 is a rear perspective view thereof;  
 FIG. 4 is another rear perspective view thereof;  
 FIG. 5 is a front elevational view thereof;  
 FIG. 6 is a rear elevational view thereof;  
 FIG. 7 is a left side elevational view thereof;  
 FIG. 8 is a right side elevational view thereof;  
 FIG. 9 is a top plan view thereof; and,  
 FIG. 10 is a bottom plan view thereof.

**1 Claim, 10 Drawing Sheets**



(56)

**References Cited**

## U.S. PATENT DOCUMENTS

D756,977	S *	5/2016	Schriefer .....	D14/250
D765,638	S	9/2016	Gaylord et al.	
D765,642	S	9/2016	Bulkley	
D766,249	S	9/2016	Veltz et al.	
D766,885	S	9/2016	Armstrong et al.	
D766,907	S	9/2016	Veltz et al.	
D768,123	S	10/2016	Armstrong et al.	
D794,626	S	8/2017	Armstrong et al.	
D799,462	S *	10/2017	Wright .....	D14/250
D802,596	S	11/2017	Hannon et al.	
D806,692	S *	1/2018	Jia .....	D14/250
D808,168	S	1/2018	Turczynskij	
D811,379	S	2/2018	Armstrong et al.	
9,989,999	B2 *	6/2018	Yturalde .....	G06F 1/1628
D837,219	S	1/2019	Gao	
D838,710	S *	1/2019	Wang .....	D14/250
D846,542	S *	4/2019	Sasaki .....	D14/250
D850,456	S	6/2019	Armstrong et al.	
D851,092	S	6/2019	Tan	
D860,211	S	9/2019	Xie	
D868,790	S	12/2019	Weng	
D875,834	S *	2/2020	Tien .....	D21/333
D881,992	S *	4/2020	Liu .....	D21/333
2004/0016658	A1 *	1/2004	Le .....	A45C 11/00 206/305

\* cited by examiner

FIG. 1

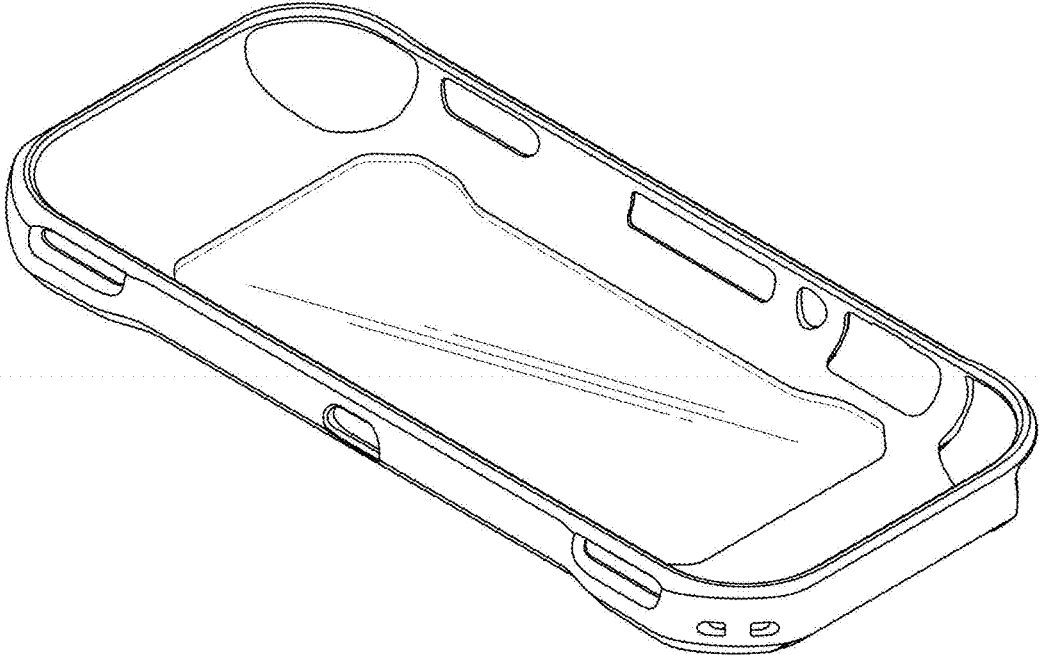


FIG. 2

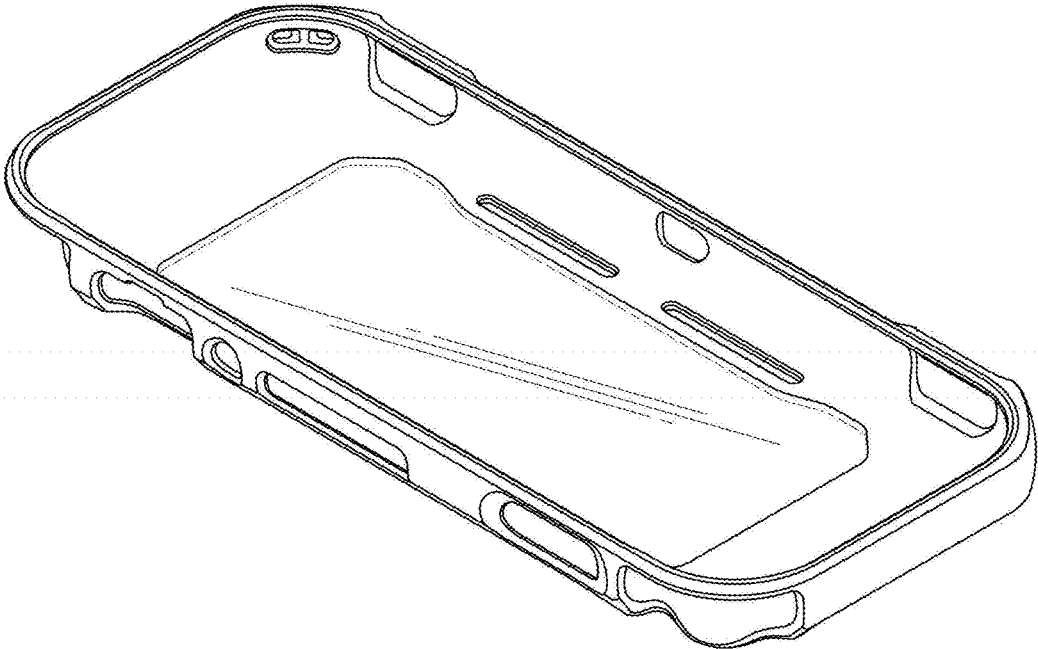


FIG. 3

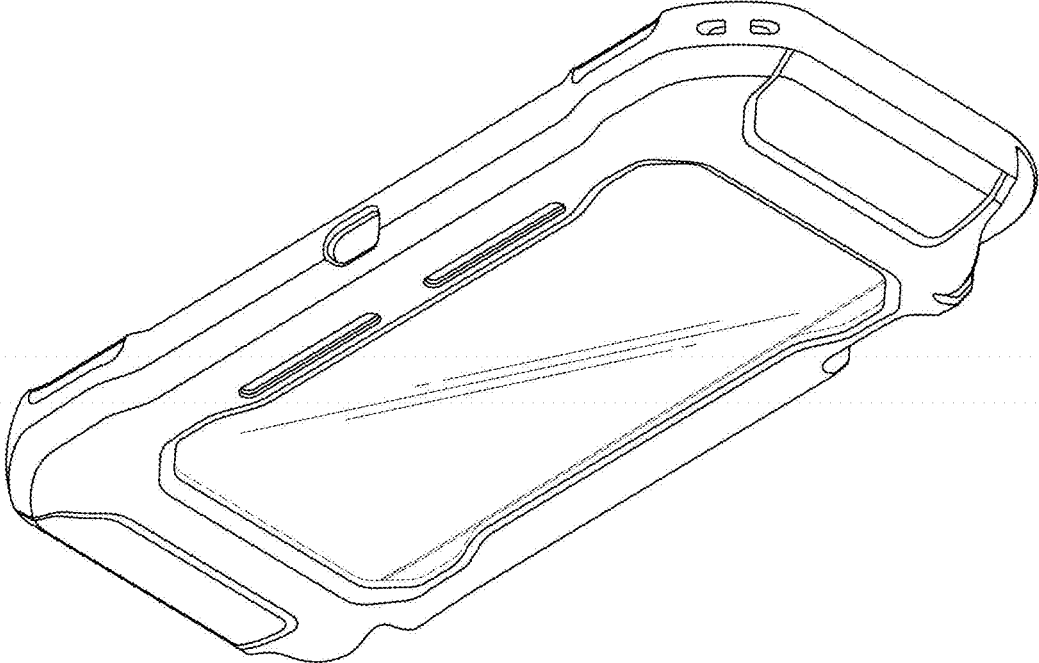


FIG. 4

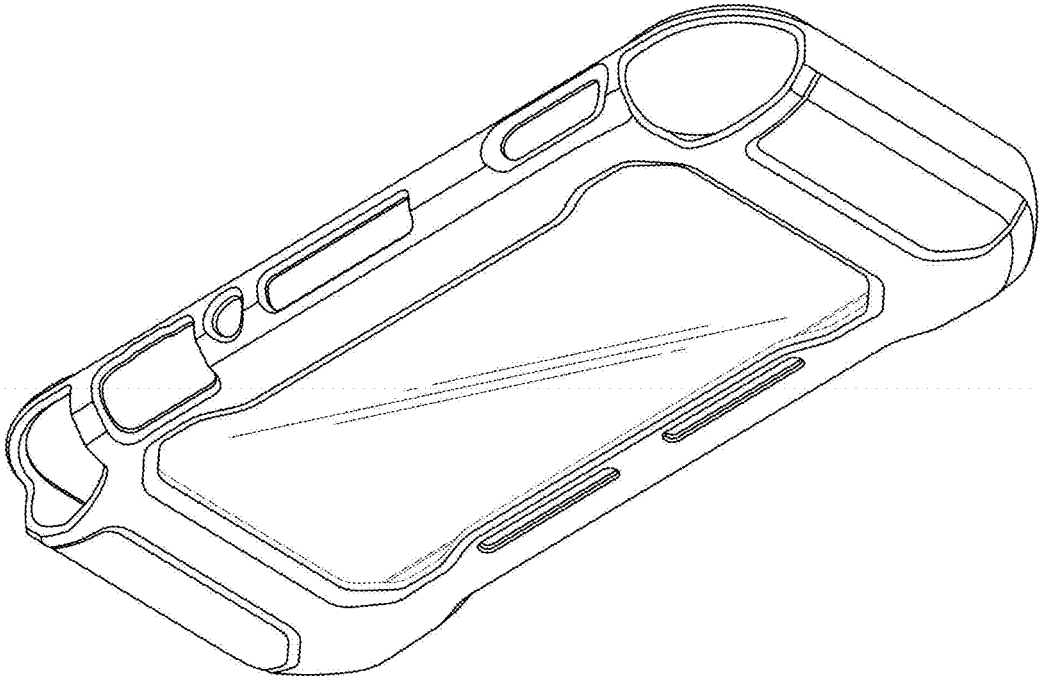


FIG. 5

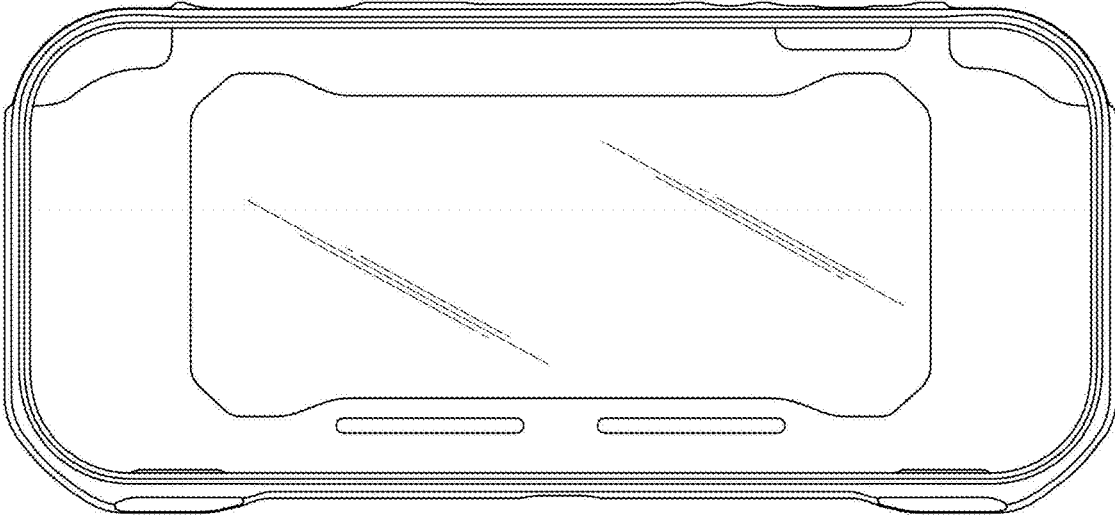


FIG. 6

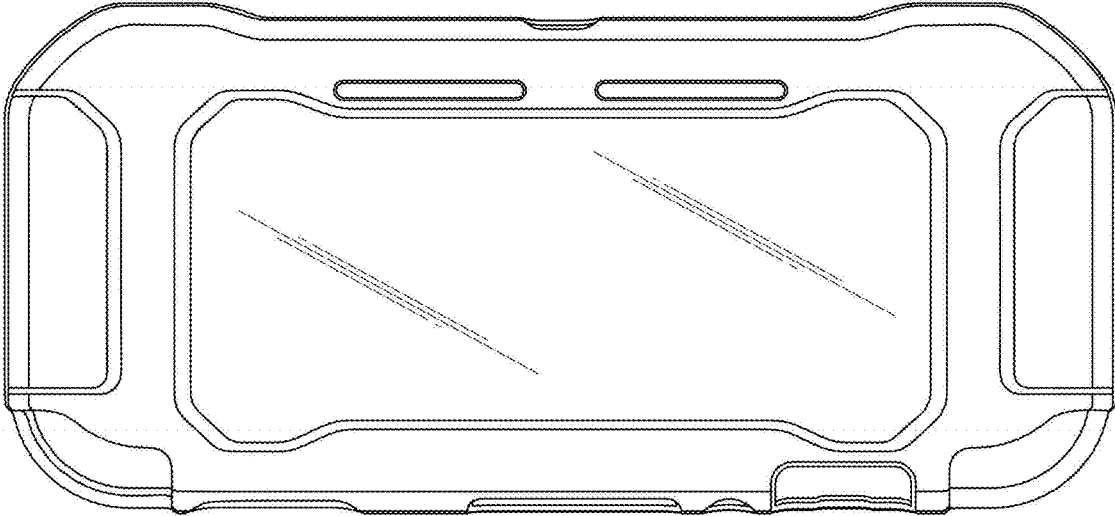




FIG. 7

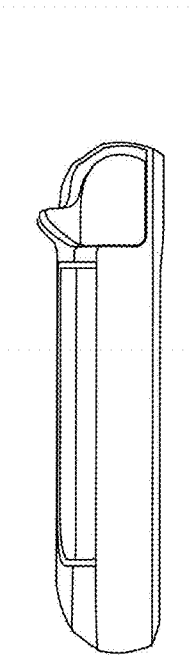


FIG. 8

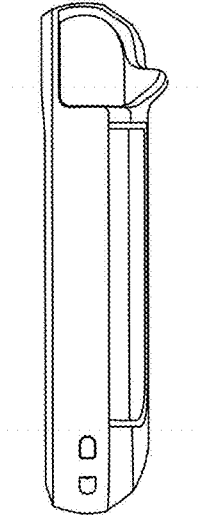


FIG. 9

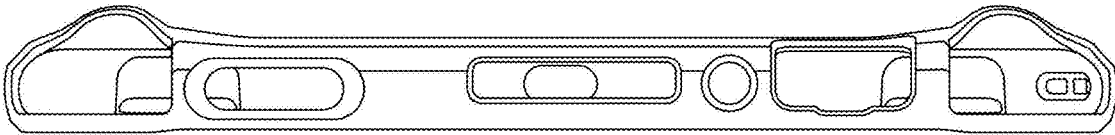


FIG. 10

