



US00D778645S

(12) **United States Design Patent**
Merritt

(10) **Patent No.:** **US D778,645 S**

(45) **Date of Patent:** **** Feb. 14, 2017**

(54) **END TABLE**

(71) Applicant: **Liberty Procurement Co. Inc.**, Union, NJ (US)

(72) Inventor: **John Merritt**, Brooklyn, NY (US)

(73) Assignee: **Liberty Procurement Co. Inc.**, Union, NJ (US)

(**) Term: **15 Years**

(21) Appl. No.: **29/527,754**

(22) Filed: **May 21, 2015**

(51) **LOC (10) Cl.** **06-04**

(52) **U.S. Cl.**
USPC **D6/691**

(58) **Field of Classification Search**
USPC D6/691.1, 691, 691.3, 691.5, 691.8, D6/691.9, 707.18, 349; 248/164; 108/119
CPC F16B 7/105; A47B 7/00; A47B 13/00; A47B 13/02; A47B 13/06; A47B 13/04; A47B 13/08; A47B 13/088; A47B 2200/11; A47B 2200/001; A47B 91/00; A47B 91/005

See application file for complete search history.

(56) **References Cited**

U.S. PATENT DOCUMENTS

D310,145 S * 8/1990 Williams D6/691.3
D314,878 S * 2/1991 Hart D6/691.3

D444,651 S * 7/2001 Jeup D6/691.1
D640,486 S * 6/2011 Saelid D6/656.15
D655,950 S * 3/2012 Kvello D6/691.7
D694,044 S * 11/2013 Copeland D6/656.15
D697,743 S * 1/2014 Thull D6/691
D716,597 S * 11/2014 Muller D6/708.17
D720,161 S * 12/2014 Udagawa D6/656.13
D743,192 S * 11/2015 Davis D6/691.5
D764,206 S * 8/2016 Lin D6/406.1
2009/0307843 A1* 12/2009 Hookway A47B 23/046
5/425
2016/0192772 A1* 7/2016 Sorrell A47B 3/12
108/27

* cited by examiner

Primary Examiner — Rosemary K Tarca

Assistant Examiner — James Thorn, Sr.

(74) *Attorney, Agent, or Firm* — Lerner, David, Littenberg, Krumholz & Mentlik, LLP

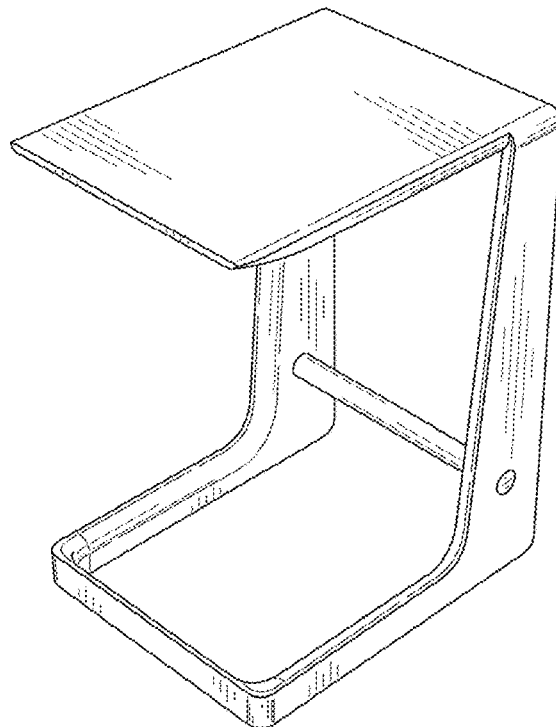
(57) **CLAIM**

The ornamental design for an end table, as shown and described.

DESCRIPTION

FIG. 1 is a perspective view of an end table;
FIG. 2 is a front view thereof;
FIG. 3 is a back view thereof;
FIG. 4 is a right view thereof;
FIG. 5 is a left view thereof;
FIG. 6 is a top plan view thereof; and,
FIG. 7 is a bottom plan view thereof.

1 Claim, 4 Drawing Sheets



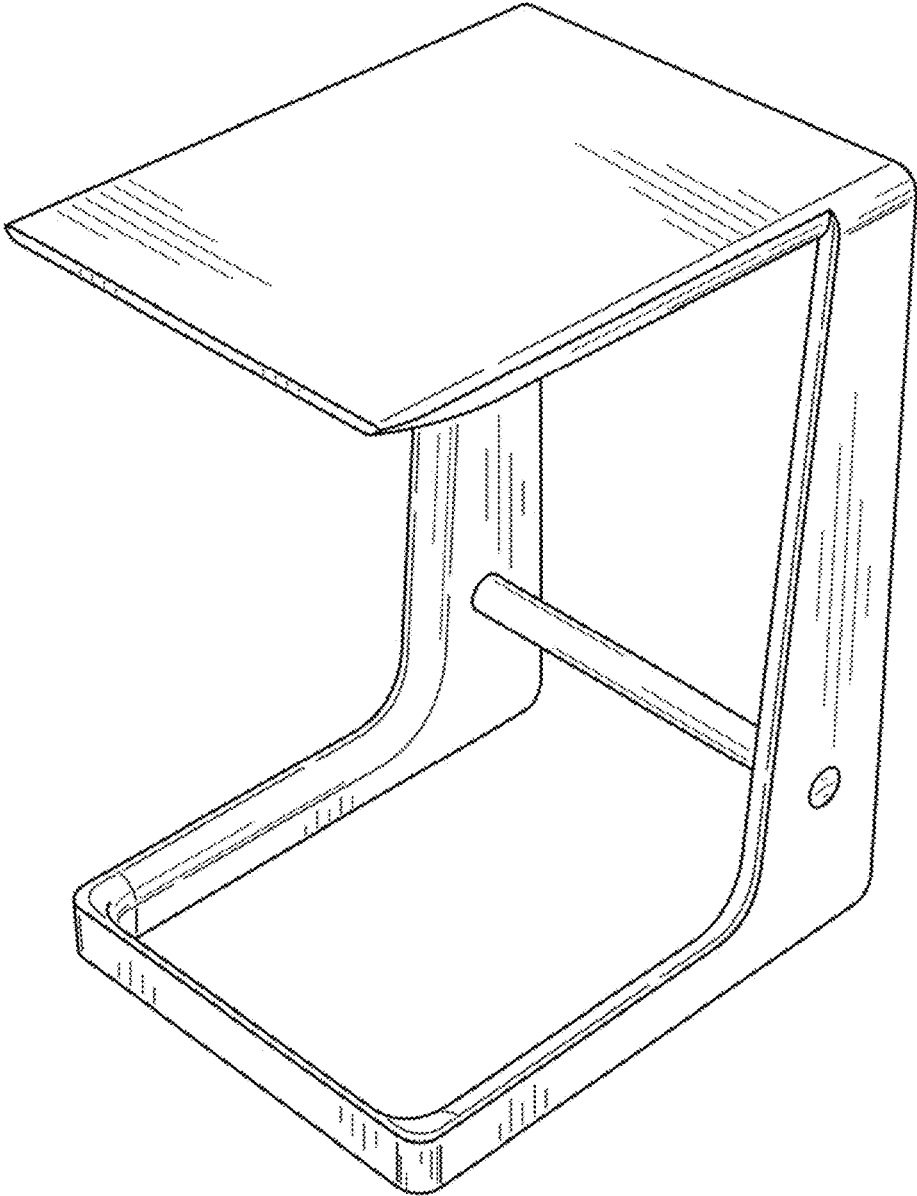


FIG. 1

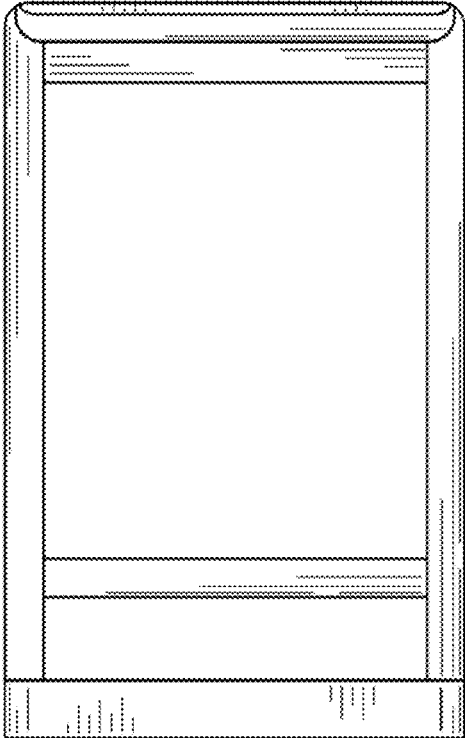


FIG. 2

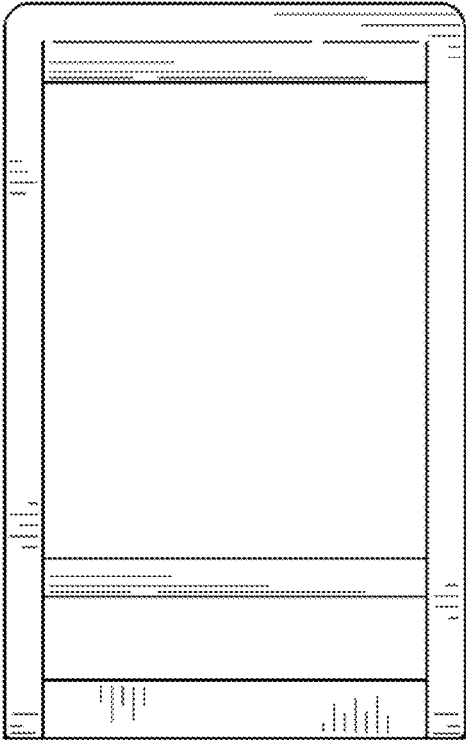


FIG. 3

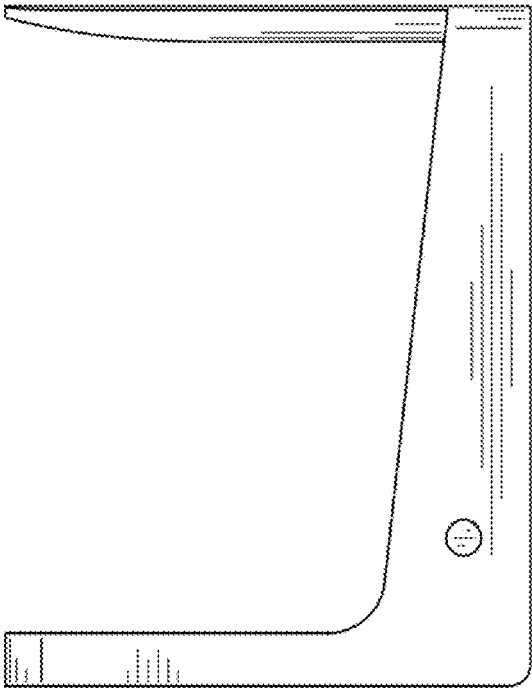


FIG. 4

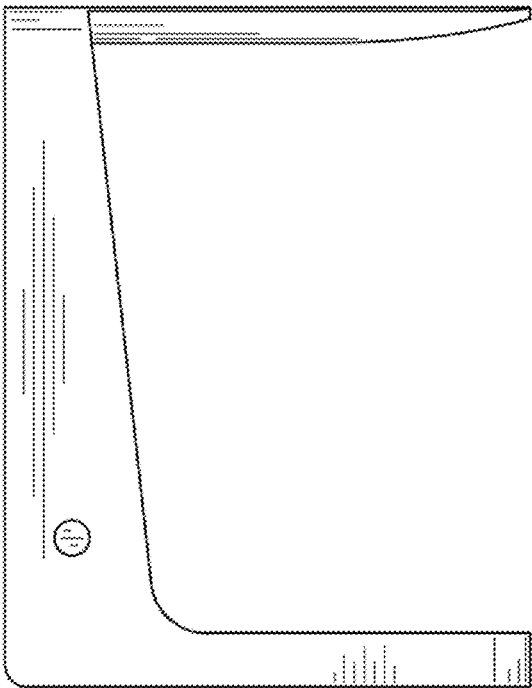


FIG. 5

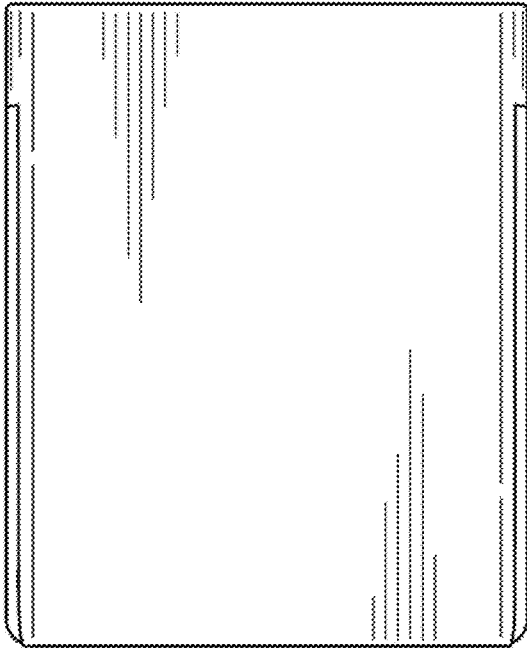


FIG. 6

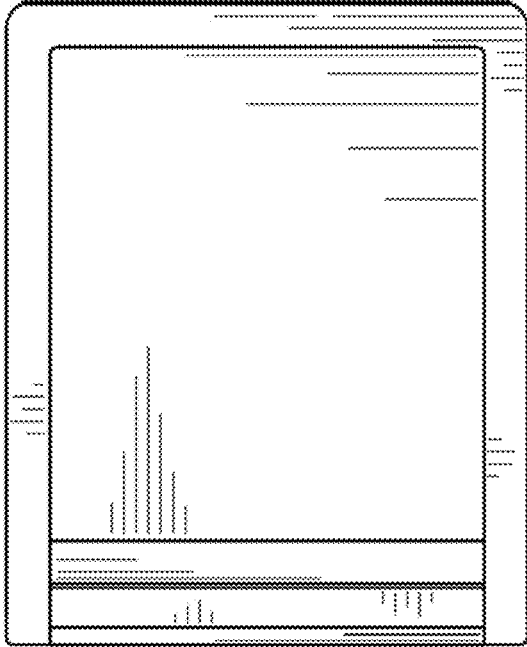


FIG. 7