



US00D631356S

(12) **United States Design Patent**
Barsoumian

(10) **Patent No.:** **US D631,356 S**

(45) **Date of Patent:** **** Jan. 25, 2011**

(54) **BOTTLE**

(75) Inventor: **Maral Barsoumian**, Camarillo, CA
(US)

(73) Assignee: **Jamara Licensing, LLC**, Camarillo, CA
(US)

(**) Term: **14 Years**

(21) Appl. No.: **29/348,130**

(22) Filed: **Dec. 2, 2009**

(51) **LOC (9) Cl.** **09-01**

(52) **U.S. Cl.** **D9/500**

(58) **Field of Classification Search** D9/500,
D9/502-505, 516, 537-540, 545-546, 549-550,
D9/557-558, 574-575, 682, 686, 688-692,
D9/763-764, 772-773, 776-777, 905; D99/5;
D11/143, 152-154; D7/300, 300.1, 589,
D7/591, 598, 601, 605, 608; 215/379, 381-384;
220/660, 662, 669-673, 675

See application file for complete search history.

(56) **References Cited**

U.S. PATENT DOCUMENTS

300,867 A	6/1884	Hauck	
324,173 A	8/1885	Seips	
D23,892 S *	12/1894	Gulden	D9/500
1,042,751 A	10/1912	Barker	
1,094,712 A *	4/1914	Gale	220/568
1,201,284 A	10/1916	Gilchrist	
1,568,691 A	1/1926	Pierson	
1,657,927 A	1/1928	Heinzen	
1,740,223 A	12/1929	Burvenick	
1,744,328 A	1/1930	Morley	
1,765,129 A	6/1930	Cooke	
D83,427 S *	2/1931	Byfield	D9/500
2,013,615 A	9/1935	Fontan	
2,090,998 A	8/1937	Gessler	
2,500,611 A	3/1950	Kereluck	
D230,954 S	3/1974	Gregoriette	
D291,523 S	8/1987	Minuti	
D297,308 S	8/1988	Lyons	

4,872,764 A	10/1989	McClellan	
D330,859 S *	11/1992	Schaeffer	D9/503
D365,759 S *	1/1996	Otani et al.	D9/504
D384,236 S	9/1997	Douer	
D424,444 S	5/2000	Lefebvre	
D429,593 S	8/2000	Thuma	
D473,460 S	4/2003	Whitworth	
D480,590 S	10/2003	Linz et al.	
D483,982 S	12/2003	Irvine	
D500,678 S *	1/2005	Park et al.	D9/502
D505,591 S *	5/2005	Bodum	D7/507
6,913,165 B2	7/2005	Linz et al.	
D517,923 S	3/2006	Iturriza	

(Continued)

OTHER PUBLICATIONS

Williams-Sonoma, Inc., "Insulated Cocktail Shaker", photograph of stainless steel cocktail shaker and packaging carton therefor, copyright 2006.

Primary Examiner—Charles A Rademaker
Assistant Examiner—Dana L Sipos
(74) *Attorney, Agent, or Firm*—David Weiss

(57) **CLAIM**

The ornamental design for a bottle, as shown and described.

DESCRIPTION

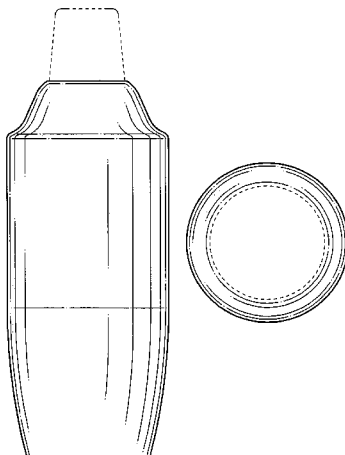
FIG. 1 is a front elevation view of a bottle showing my new design, the rear, left side and right side elevation views being mirror images;

FIG. 2 is a top plan view thereof; and,

FIG. 3 is a bottom plan view thereof.

The dashed lines in FIGS. 1, 2 and 3 are shown for illustrative purposes and form no part of the claimed design.

1 Claim, 2 Drawing Sheets



US D631,356 S

Page 2

U.S. PATENT DOCUMENTS

D536,976 S *	2/2007	Ciulla et al.	D9/500	
D536,986 S *	2/2007	Nix et al.	D9/551	* cited by examiner
				D592,061 S * 5/2009 Rica D9/500

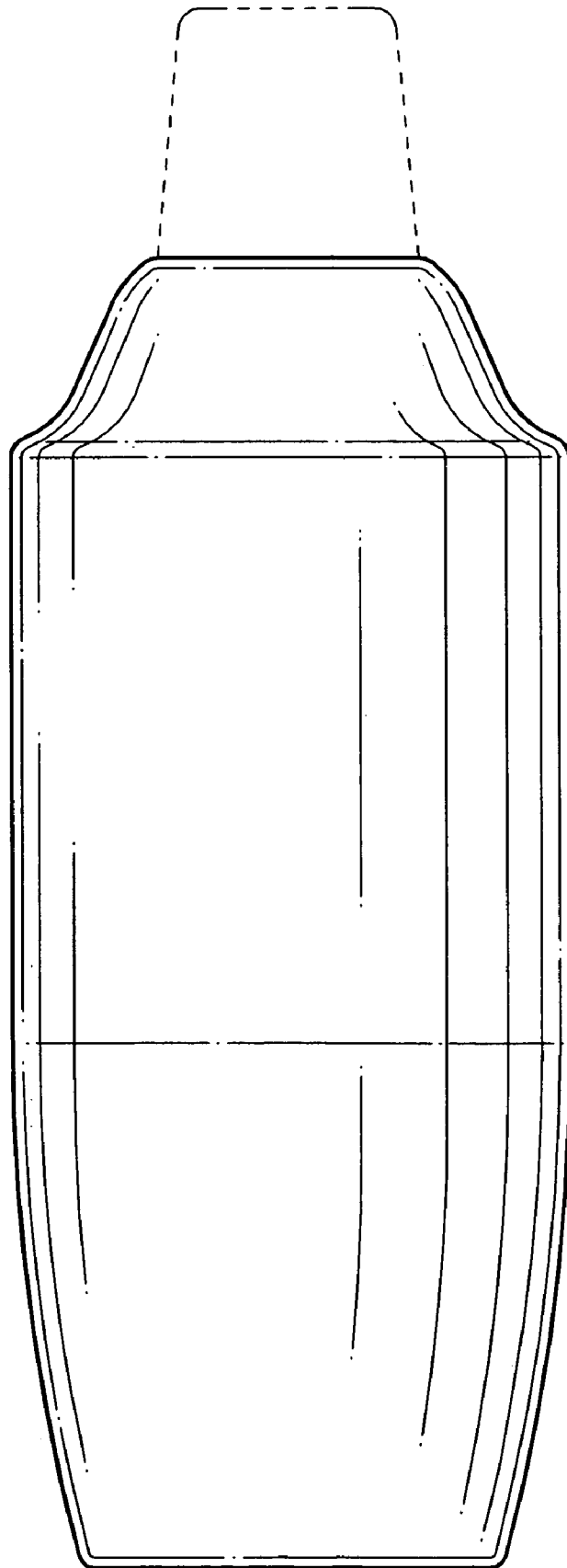


FIG. 1

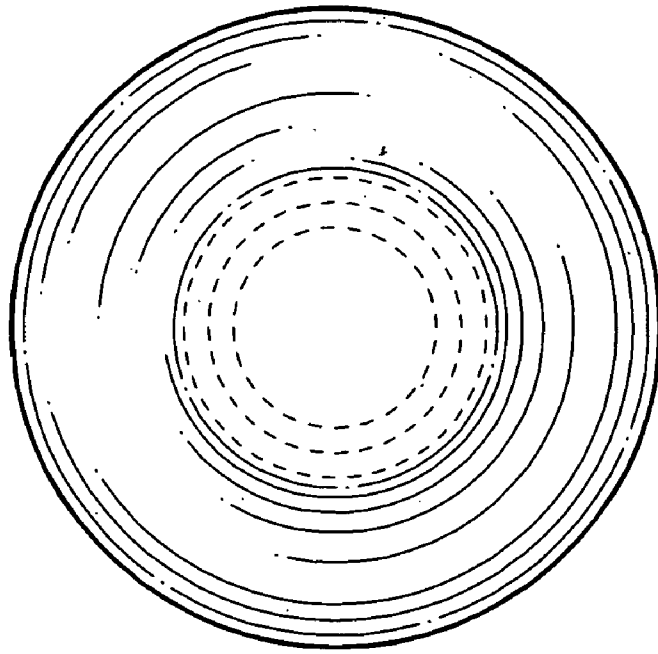


FIG. 2

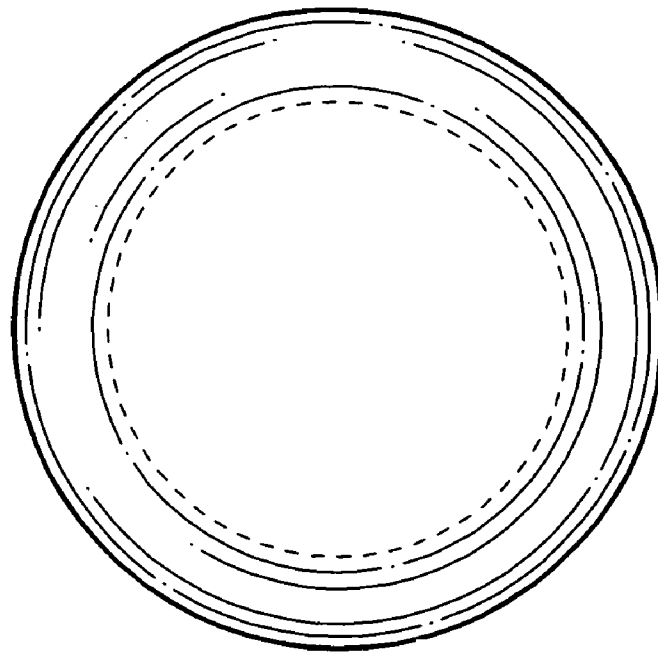


FIG. 3