



US00D591356S

(12) **United States Design Patent**
Lanman et al.

(10) **Patent No.:** **US D591,356 S**

(45) **Date of Patent:** **** Apr. 28, 2009**

(54) **PROMOTIONAL DEVICE**

4,643,680 A * 2/1987 Hill 434/170

(75) Inventors: **Chris Lanman**, London (GB); **Kelly Maguire**, London (GB); **Nicholas Miller**, London (GB)

(Continued)

FOREIGN PATENT DOCUMENTS

(73) Assignee: **KYP (Holdings) PLC**, London (GB)

EM	088026-0001	1/2004
EM	088026-0002	1/2004
EM	088026-0003	1/2004
EM	088026-0004	1/2004
EM	0214010-0001	3/2004
EM	0214010-0002	3/2004
EM	0214010-0003	3/2004

(**) **Term:** **14 Years**

(21) **Appl. No.:** **29/328,248**

(22) **Filed:** **Nov. 20, 2008**

Related U.S. Application Data

(Continued)

(63) Continuation of application No. 29/271,634, filed on Jan. 24, 2007, now abandoned.

Primary Examiner—Janice E Seeger
Assistant Examiner—Mary Ann Calabrese
(74) *Attorney, Agent, or Firm*—Venable LLP; Robert Kinberg; Kyle D. Petaja

(30) **Foreign Application Priority Data**

Oct. 6, 2006 (EM) 000605563

(57) **CLAIM**

(51) **LOC (9) Cl.** **20-03**

(52) **U.S. Cl.** **D20/19; D20/18; D20/22**

(58) **Field of Classification Search** D20/10, D20/11, 18, 19, 22, 23, 27, 28, 40, 99; 40/27, 40/124.01, 124.06, 124.09, 124.11, 124.12, 40/124.19, 124.191, 299.01, 446, 488–493, 40/495, 538, 594, 635, 642.02, 649, 654.01, 40/663, 672; D6/300; D19/1–3, 134; 116/234; 229/72, 92.8, 125.39; 235/89 R; 283/23, 283/56, 71, 72, 81, 94, 98, 99, 106, 107, 283/116; 434/170, 174

The ornamental design for a promotional device, as shown and described.

DESCRIPTION

See application file for complete search history.

FIG. 1 is a perspective view from the front-top-right side of the promotional device showing our new design with an insert partially inserted;

FIG. 2 is a top view of the design shown in FIG. 1 with an insert partially inserted;

FIG. 3 is a bottom view of the design shown in FIG. 1 with an insert partially inserted;

FIG. 4 is a right side view of the design shown in FIG. 1 with an insert partially inserted;

FIG. 5 is a front view of the design shown in FIG. 1 with inserts removed for ease of illustration; and,

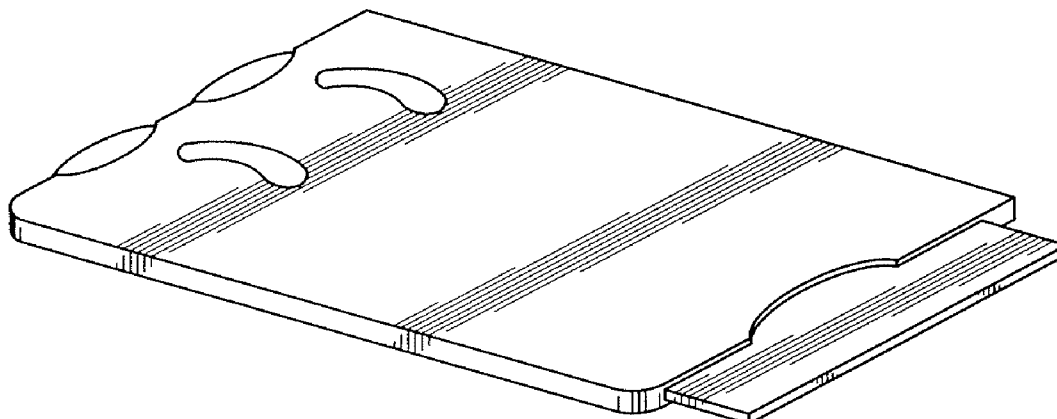
FIG. 6 is a rear view of the design shown in FIG. 1 with inserts removed for ease of illustration.

(56) **References Cited**

U.S. PATENT DOCUMENTS

951,586 A	3/1910	Wightman	
1,400,652 A	12/1921	Anderson	
1,951,022 A *	3/1934	Iverson	40/495
2,222,272 A	11/1940	Wesner	
D180,144 S	4/1957	George	
3,199,238 A *	8/1965	Brown	40/488
3,200,517 A *	8/1965	Amerigo	434/174

1 Claim, 2 Drawing Sheets



US D591,356 S

Page 2

U.S. PATENT DOCUMENTS

4,664,417 A * 5/1987 Rosenstrach et al. 283/116
5,042,184 A 8/1991 Fast
5,287,641 A * 2/1994 Showers 40/488
D351,423 S 10/1994 Cassidy, Jr.
5,377,612 A * 1/1995 Catalano et al. 116/234
D375,526 S * 11/1996 Londino D20/18
5,887,370 A * 3/1999 Mizell 40/495
6,116,655 A 9/2000 Thouin et al.
6,290,126 B1 9/2001 Zudal
6,643,961 B1 11/2003 Hluchan
D488,932 S * 4/2004 Forster D6/300
D537,117 S 2/2007 Sinclair et al.
D540,878 S 4/2007 Burns
D544,040 S 6/2007 Burns

D550,286 S * 9/2007 Garfinkle D20/18
2004/0128875 A1 7/2004 DeAngelus et al.
2005/0120940 A1 6/2005 Sinclair et al.
2007/0022647 A1 2/2007 Miller et al.
2008/0083145 A1 * 4/2008 Wynalda et al. 40/495

FOREIGN PATENT DOCUMENTS

EM 0123674-0001 6/2004
EM 0544572-0001 7/2005
EM 0268800-0001 8/2005
EM 0268800-0002 8/2005
EM 0268800-0003 8/2005
EM 0634415-0001 1/2007

* cited by examiner

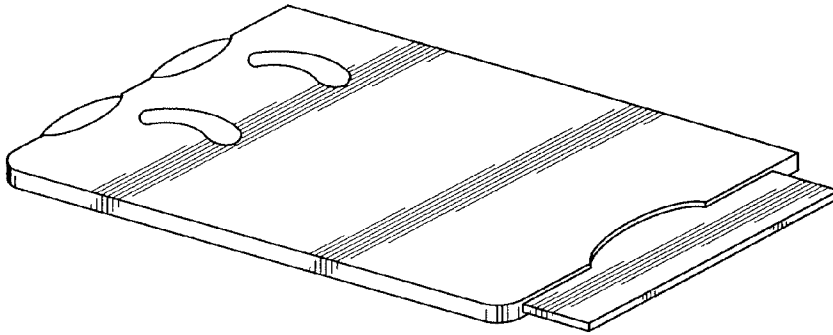


FIG. 1

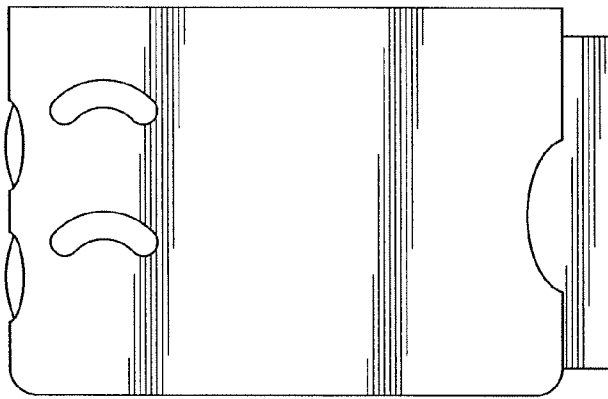


FIG. 2

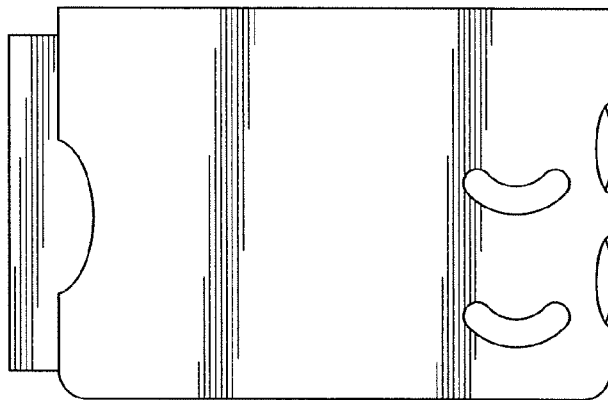


FIG. 3

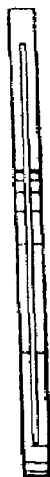


FIG. 4



FIG. 5



FIG. 6