



US00D743269S

(12) **United States Design Patent**
Papé

(10) **Patent No.:** **US D743,269 S**

(45) **Date of Patent:** **** Nov. 17, 2015**

(54) **GROWLER WITH LID**

(71) Applicant: **Bryan Papé**, Boise, ID (US)

(72) Inventor: **Bryan Papé**, Boise, ID (US)

(**) Term: **14 Years**

(21) Appl. No.: **29/476,569**

(22) Filed: **Dec. 13, 2013**

(51) **LOC (10) Cl.** **09-01**

(52) **U.S. Cl.**

USPC **D9/550**

(58) **Field of Classification Search**

USPC D7/300, 305, 312, 317, 321, 322, 396.2,
D7/500, 505, 507, 509, 510, 511, 523, 538,
D7/601, 602, 608, 619.1, 629; D9/443,
D9/446, 449, 500, 503, 505, 516, 527, 528,
D9/529, 530, 531, 534, 537, 538, 544, 545,
D9/546, 549, 550, 563, 715, 719, 738;
215/379, 381-385, 387; 220/200, 288,
220/600, 608, 660, 662, 665, 666, 669, 675,
220/771

See application file for complete search history.

(56) **References Cited**

U.S. PATENT DOCUMENTS

5,199,587 A * 4/1993 Ota et al. 215/381
D414,685 S * 10/1999 Chahed D9/691
D523,345 S * 6/2006 Kamineni D9/537
D631,360 S * 1/2011 van Westreenen D9/539

D642,059 S * 7/2011 Webster et al. D9/502
D659,007 S * 5/2012 Pape D9/550
D703,540 S * 4/2014 Yourist et al. D9/538
D703,541 S * 4/2014 Yourist et al. D9/541
2003/0000912 A1 * 1/2003 Deubel et al. 215/384

OTHER PUBLICATIONS

<http://uncrate.com/stuff/miir-growler/> Posted Oct. 31, 2013.*

<http://www.direktconcept.com/2013/10/25/miir-growler/> Posted Oct. 26, 2013.*

* cited by examiner

Primary Examiner — Susan Bennett Hattan

Assistant Examiner — Leanne Was

(74) *Attorney, Agent, or Firm* — QuickPatents; Kevin Prince

(57) **CLAIM**

I claim the ornamental design for a growler with lid, as shown and described.

DESCRIPTION

FIG. 1 is a perspective view of a growler with lid, showing my new design;

FIG. 2 is a front elevational view thereof;

FIG. 3 is a rear elevational view thereof;

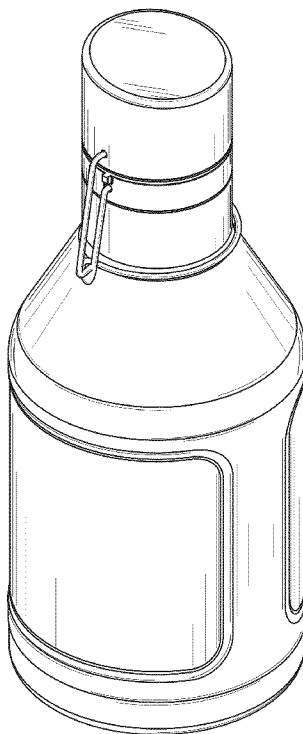
FIG. 4 is a left-side elevational view thereof, the right-side elevational view being a mirror image thereof;

FIG. 5 is a top plan view thereof;

FIG. 6 is a bottom plan view thereof; and,

FIG. 7 is a cross-sectional view thereof, taken along line 7-7 of FIG. 2.

1 Claim, 4 Drawing Sheets



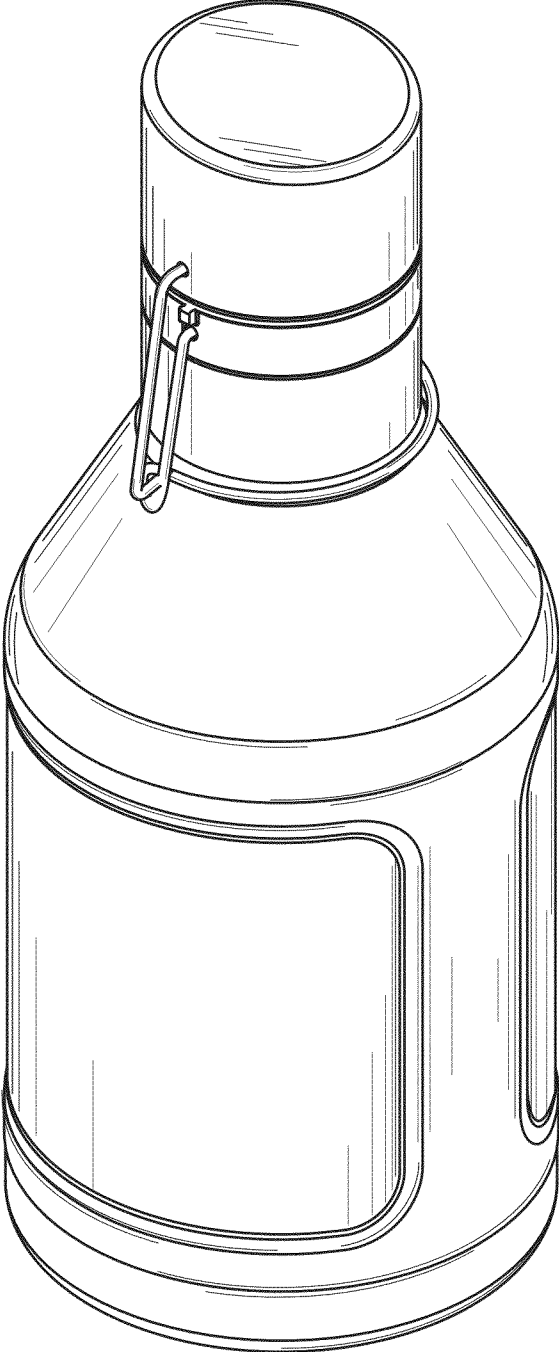


FIG. 1

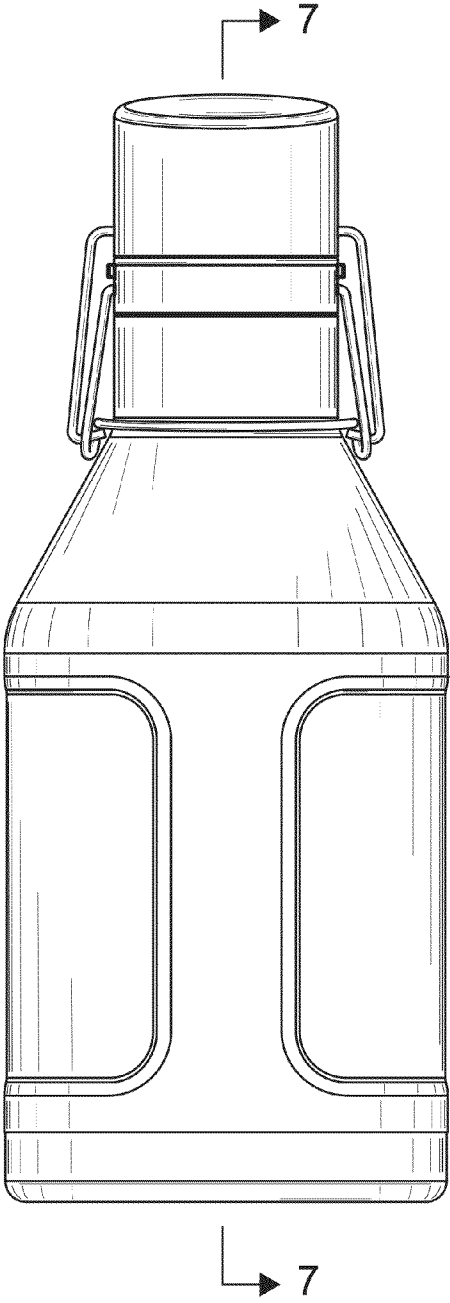


FIG. 2

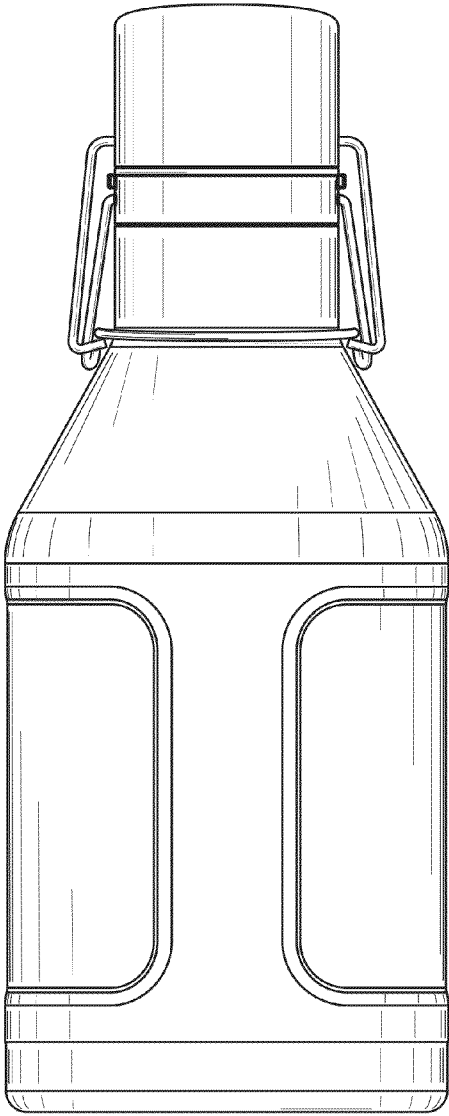


FIG. 3

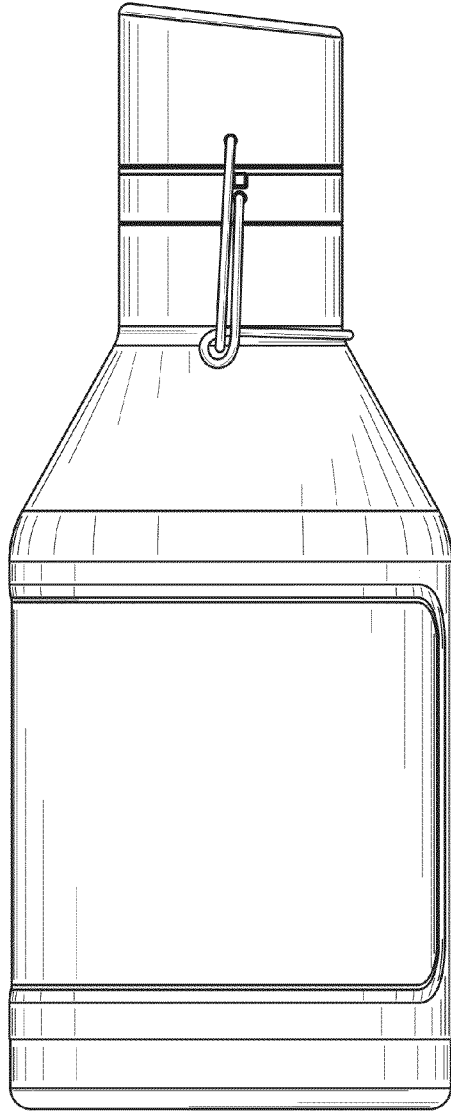


FIG. 4

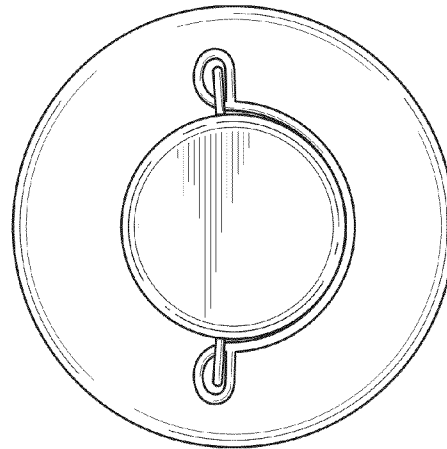


FIG. 5

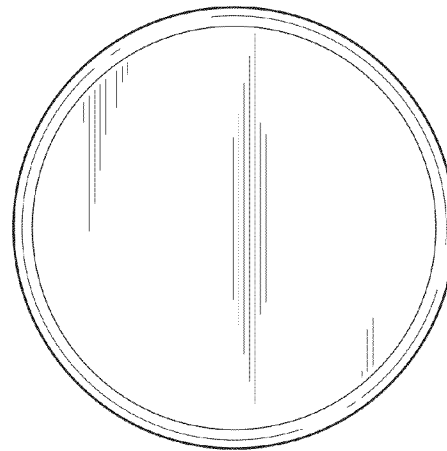


FIG. 6

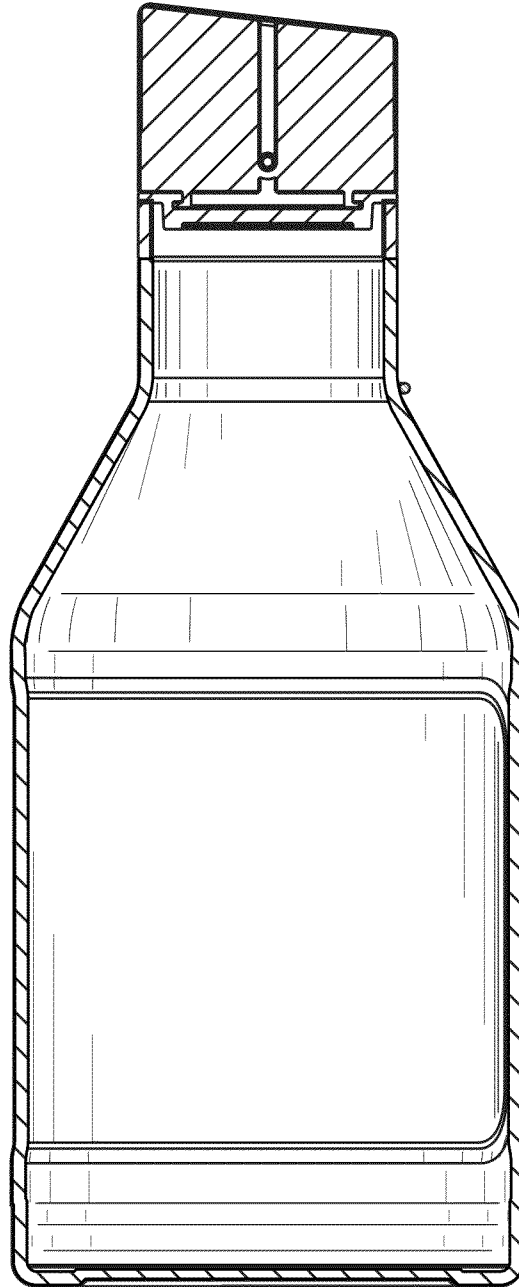


FIG. 7