



US00D711924S

(12) **United States Design Patent**
Akana et al.

(10) **Patent No.:** **US D711,924 S**

(45) **Date of Patent:** **** Aug. 26, 2014**

(54) **ELECTRONIC DEVICE**

(71) Applicant: **Apple Inc.**, Cupertino, CA (US)

(72) Inventors: **Jody Akana**, San Francisco, CA (US);
Bartley K. Andre, Palo Alto, CA (US);
Jeremy Bataillou, San Francisco, CA (US);
Daniel J. Coster, San Francisco, CA (US);
Daniele De Iuliis, San Francisco, CA (US);
M. Evans Hankey, San Francisco, CA (US);
Richard P. Howarth, San Francisco, CA (US);
Jonathan P. Ive, San Francisco, CA (US);
Duncan Robert Kerr, San Francisco, CA (US);
Shin Nishibori, Kailua, HI (US);
Matthew Dean Rohrbach, San Francisco, CA (US);
Peter Russell-Clarke, San Francisco, CA (US);
Christopher J. Stringer, Woodside, CA (US);
Eugene Antony Whang, San Francisco, CA (US);
Rico Zörkendörfer, San Francisco, CA (US)

(73) Assignee: **Apple Inc.**, Cupertino, CA (US)

(**) Term: **14 Years**

(21) Appl. No.: **29/468,140**

(22) Filed: **Sep. 26, 2013**

Related U.S. Application Data

(63) Continuation of application No. 29/449,810, filed on Mar. 15, 2013, now Pat. No. Des. 690,739, which is a

(Continued)

(51) **LOC (10) Cl.** **14-03**

(52) **U.S. Cl.**
USPC **D14/496**

(58) **Field of Classification Search**
USPC D14/496, 401, 435, 474, 483, 217, 137,
D14/138, 160, 168, 356, 203.1-203.8, 507;
345/156, 169, 173-179, 905;

715/727-729, 864; 710/1, 5, 8; 713/1,
713/600; 455/1.1, 1.7, 73, 344-347, 93, 95,
455/3.01-3.06, 550.1, 573.1; 370/342-344;
369/1, 2, 6-12; 463/43-47; 273/148 B
See application file for complete search history.

(56) **References Cited**

U.S. PATENT DOCUMENTS

5,808,862 A 9/1998 Robbins
D408,794 S 4/1999 Ogasawara

(Continued)

OTHER PUBLICATIONS

Wilson, M., "Is This the Next iPod Shuffle?", Gizmodo, accessed at <<http://gizmodo.com/5583144/is-this-the-next-ipod-shuffle>>, retrieved Dec. 17, 2010, 2 pages.

Primary Examiner — Prabhakar Deshmukh
(74) *Attorney, Agent, or Firm* — Sterne, Kessler, Goldstein & Fox P.L.L.C.

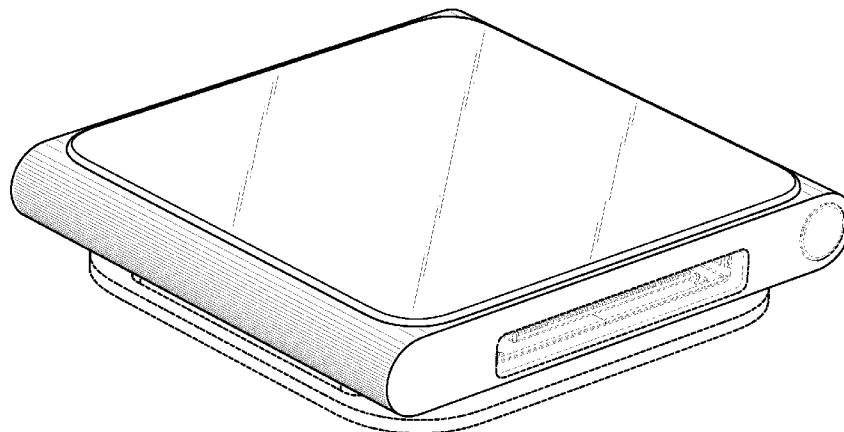
(57) **CLAIM**

The ornamental design for an electronic device, as shown and described.

DESCRIPTION

FIG. 1 is a front bottom perspective view of an electronic device showing our new design; FIG. 2 is a rear bottom perspective view thereof; FIG. 3 is a rear top perspective view thereof; FIG. 4 is a front top perspective view thereof; FIG. 5 is a front view thereof; FIG. 6 is a rear view thereof; FIG. 7 is a bottom view thereof; FIG. 8 is a top view thereof; FIG. 9 is a side view thereof; and, FIG. 10 is another side view thereof. The broken lines in the Figures show portions of the electronic device that form no part of the claimed design.

1 Claim, 8 Drawing Sheets



Related U.S. Application Data

continuation of application No. 29/428,517, filed on Jul. 31, 2012, now Pat. No. Des. 678,336, which is a continuation of application No. 29/413,693, filed on Feb. 17, 2012, now Pat. No. Des. 664,995, which is a continuation of application No. 29/391,989, filed on May 16, 2011, now Pat. No. Des. 654,506, which is a continuation of application No. 29/367,996, filed on Aug. 16, 2010, now Pat. No. Des. 638,030.

(56)

References Cited

U.S. PATENT DOCUMENTS

D441,735 S	5/2001	Katayama	
6,254,477 B1 *	7/2001	Sasaki et al.	463/1
D459,339 S	6/2002	Tong	
D478,076 S	8/2003	Hong	

D480,372 S	*	10/2003	Chen et al.	D14/507
D488,472 S		4/2004	Haase et al.	
D490,796 S		6/2004	Allen	
D512,977 S	*	12/2005	Chan	D14/500
D513,611 S		1/2006	Hibi	
D516,579 S		3/2006	Nakamura	
D517,065 S		3/2006	Ko et al.	
D531,157 S	*	10/2006	Lheem	D14/138 AB
D538,795 S	*	3/2007	Wong et al.	D14/240
D542,784 S	*	5/2007	Franck et al.	D14/240
D546,202 S		7/2007	Chang	
D560,228 S		1/2008	Andre et al.	
D577,990 S		10/2008	Andre et al.	
D590,826 S		4/2009	Andre et al.	
D627,367 S		11/2010	Andre et al.	
D638,030 S		5/2011	Akana et al.	
D638,443 S		5/2011	Akana et al.	
D673,975 S	*	1/2013	Akana et al.	D14/496

* cited by examiner

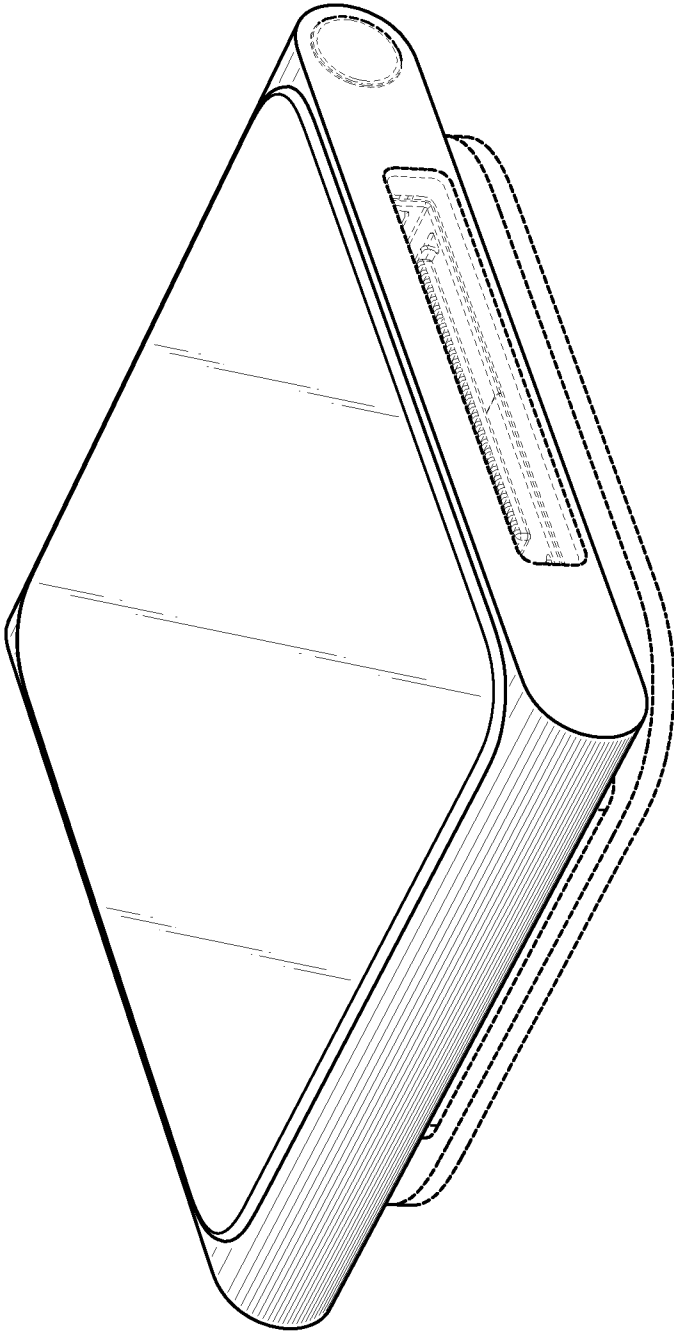


FIG.1

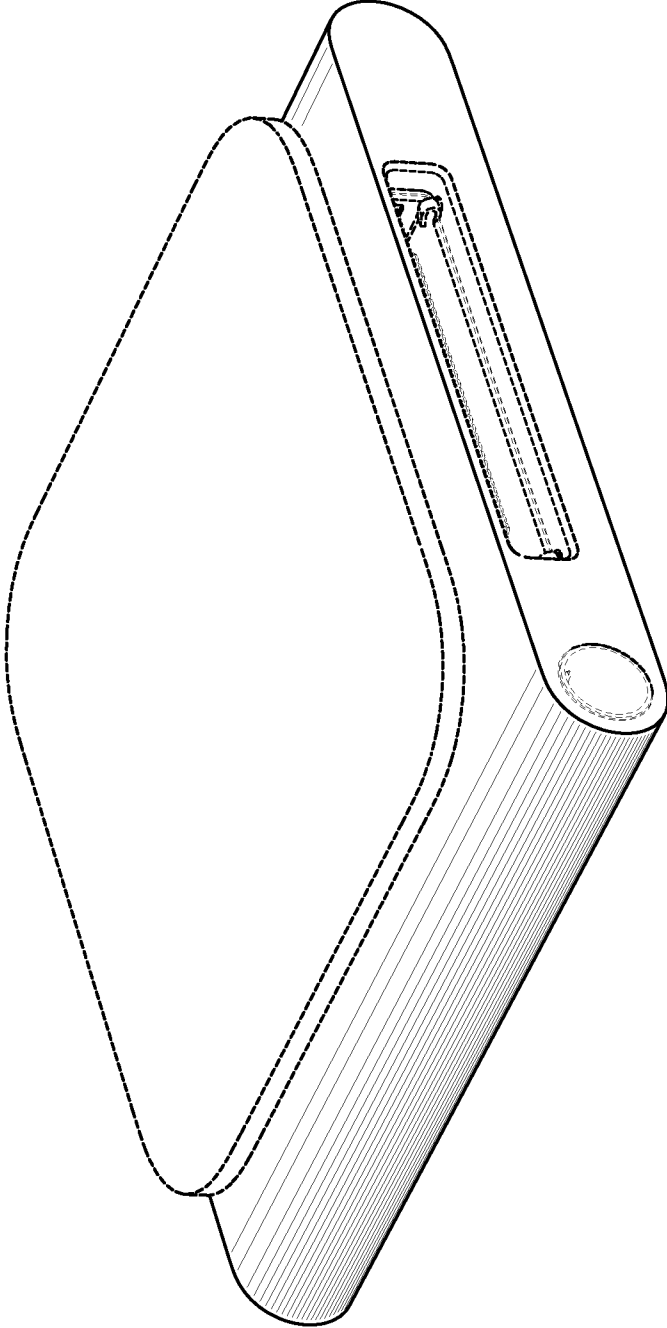


FIG.2

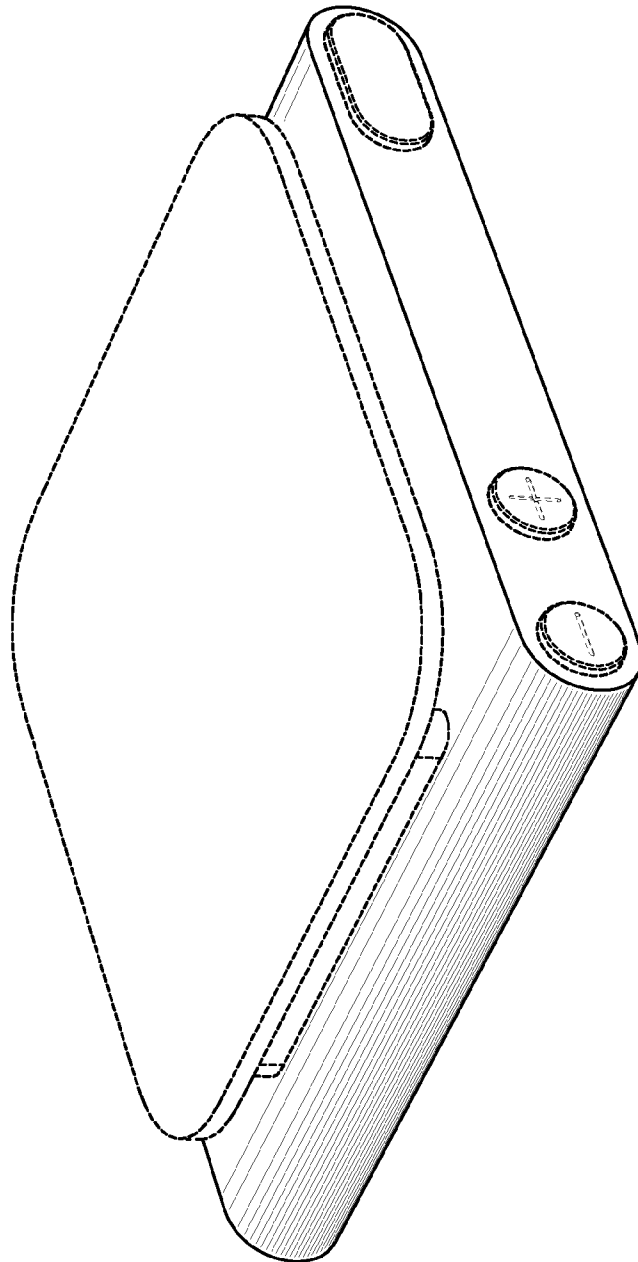


FIG. 3

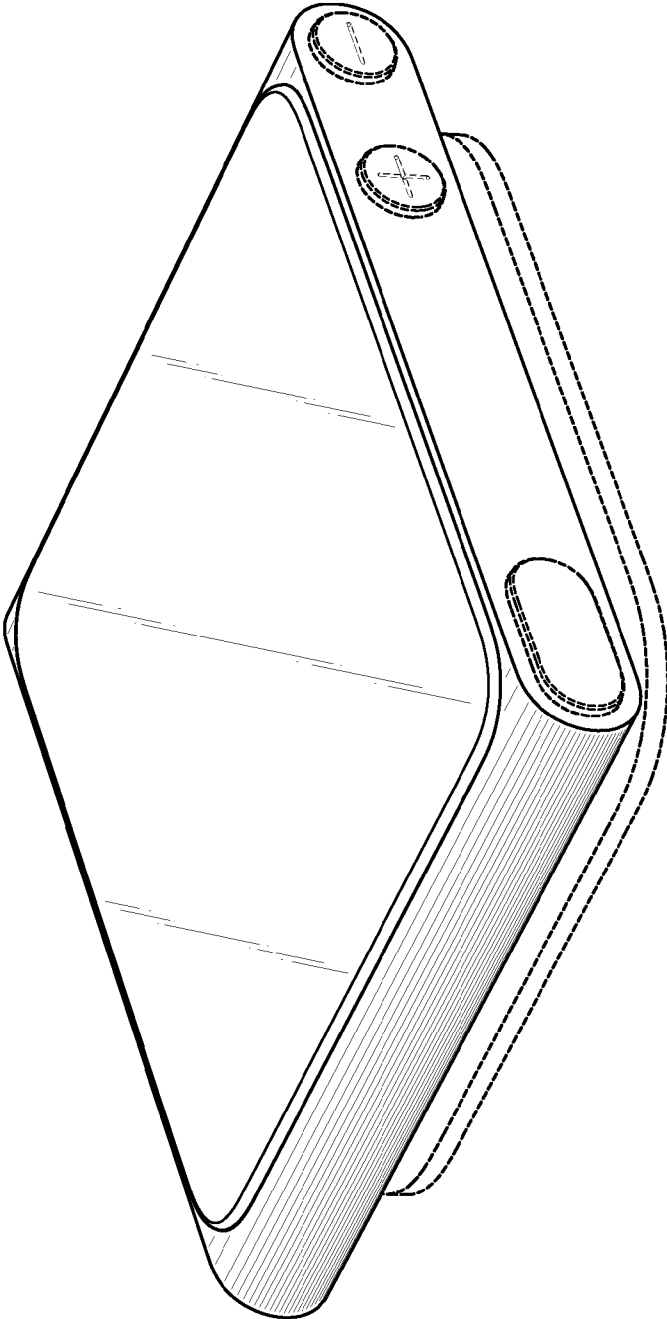


FIG.4

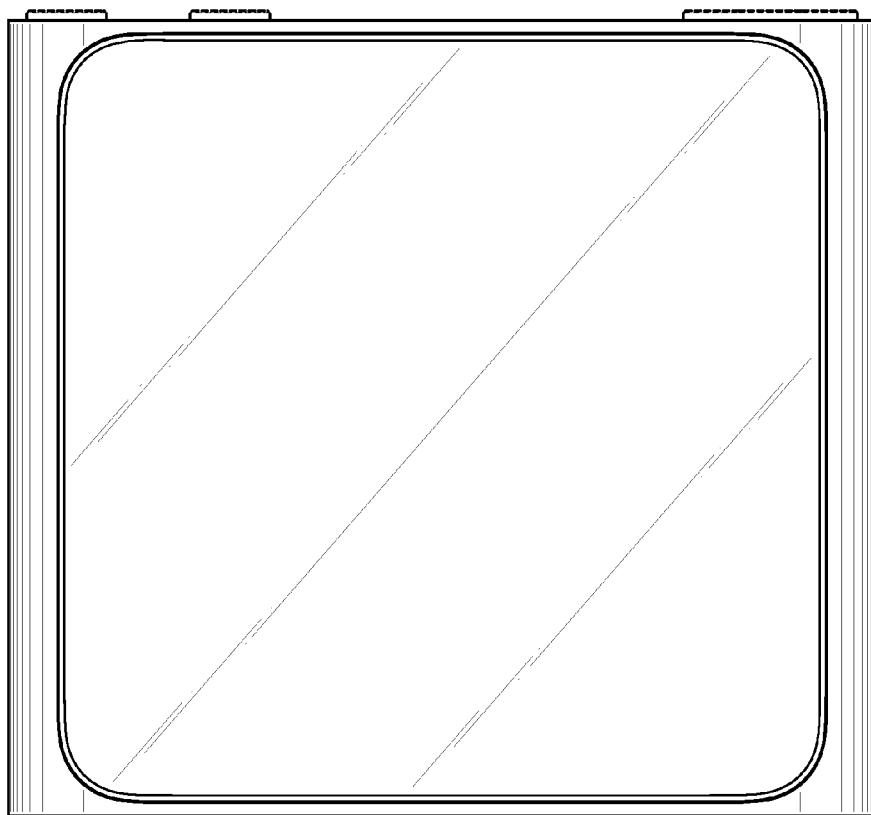


FIG.5

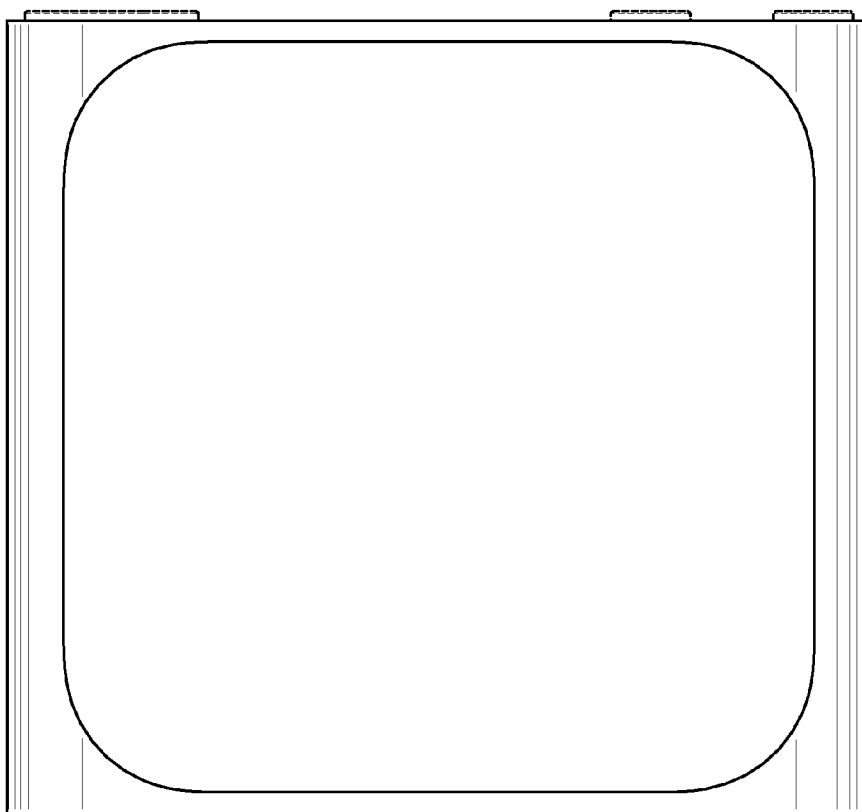


FIG.6

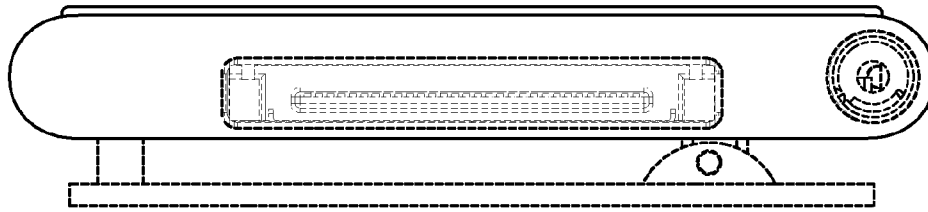


FIG. 7

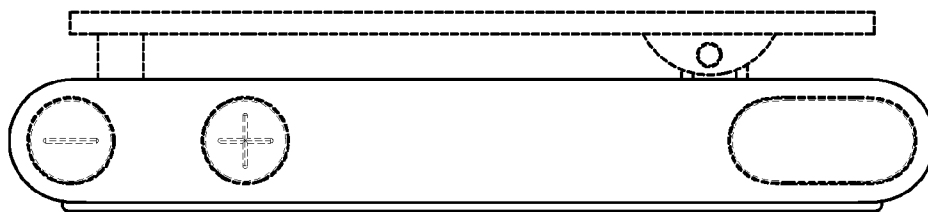


FIG. 8

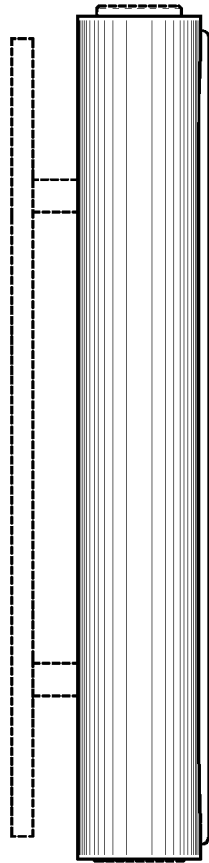


FIG. 9

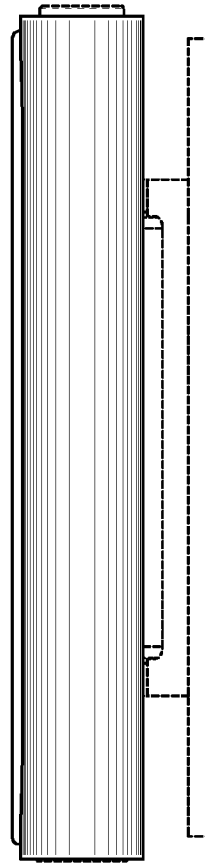


FIG. 10