



(22) Date de dépôt/Filing Date: 2000/04/03

(41) Mise à la disp. pub./Open to Public Insp.: 2001/10/03

(45) Date de délivrance/Issue Date: 2005/06/14

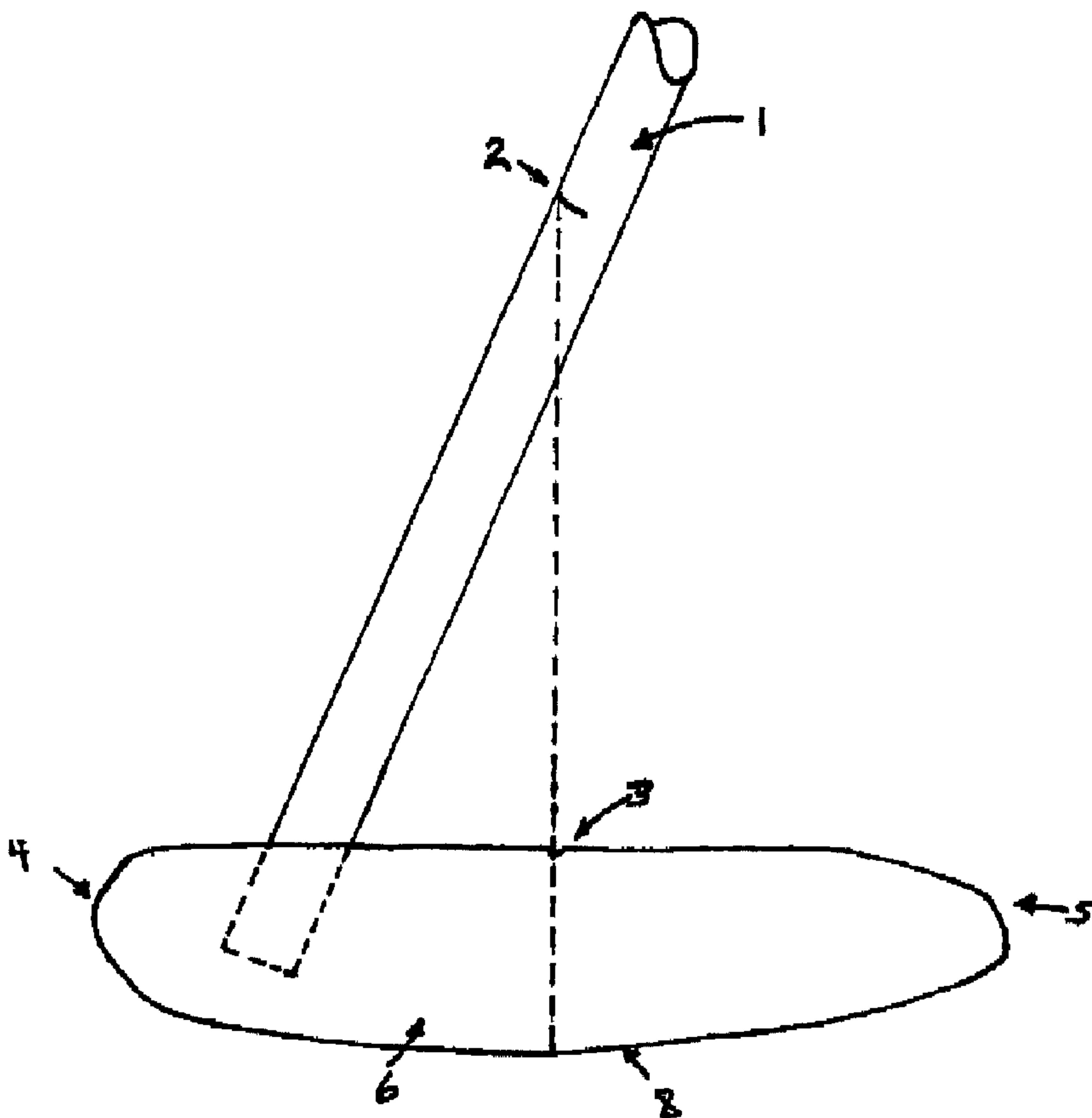
(51) Cl.Int.<sup>7</sup>/Int.Cl.<sup>7</sup> A63B 53/04, A63B 69/36

(72) Inventeur/Inventor:  
LISTER, GARY, CA

(73) Propriétaire/Owner:  
LISTER, GARY, CA

(54) Titre : SYSTEME D'ALIGNEMENT DE LA PRATIQUE DU COUP ROULE

(54) Title: INSEYED PUTTING ALIGNMENT SYSTEM



(57) Abrégé/Abstract:

A golf putter alignment system in which a putter has a centerline mark and the putter shaft is joined to the putter head near the toe extending upwardly and is then angled towards the golfer. Vertical alignment of the marks on the top of the putter head and the shaft, and the golfer's eyes over the centerline mark on the putter head and the mark on the upper portion of the shaft with the striking plate of the putter head square to the direction of intended travel completely aligns putter and golfer for a putt.

**ABSTRACT**

A golf putter alignment system in which a putter has a centerline mark and the putter shaft is joined to the putter head near the toe extending upwardly and is then angled towards the golfer. Vertical alignment of the marks on the top of the putter head and the shaft, and the golfer's eyes over the centerline mark on the putter head and the mark on the upper portion of the shaft with the striking plate of the putter head square to the direction of intended travel completely aligns putter and golfer for a putt.

**CLEAN VERSION****INSEYED PUTTING ALIGNMENT SYSTEM****TECHNICAL INVENTION**

5 The invention relates to the game of golf and more importantly to a golf putter having an alignment arrangement based on the position of the shaft over a centerline mark on the putter head.

**10 BACKGROUND OF THE INVENTION**

Putting plays an important role in a successful round of golf. In order to technically execute a proper putt a golfer must be properly positioned relative to the ball and to an intended line of the putt. A putter has a striking face, which should  
15 be aligned square to the desired path of the ball travel.

It is known that an alignment centerline is placed on the top surface of the putter to aid a golfer in positioning the face of a putter square to the target line of the putt. Typically,  
20 this centerline or aiming line is perpendicular to the face and is positioned at the desired area of putter to ball impact.

In addition to having the putter face aligned to the intended  
25 target line a golfer must be in the proper position relative to the ball to have proper golf techniques. The eyes of the

golfer should be over the putter so that when the ball is struck the putter is returned to the proper position to send the ball on its desired target line.

5 It takes regular practice to develop a putting stance and stroke to propel a golf ball on its intended target line. Golfers of all skill levels have been shown to find this eye position and putter alignment difficult to maintain over time.

10 An object of the invention is to provide a putter that can be used to indicate when proper alignments have been attained for stroking a golf ball.

A putter that uses a shaft to facilitate alignment of a putter  
15 head and a golfer's head relative to a ball and a desired path of ball travel is shown, for example, in the following United States of America patent 5,564,990 - Weeks.

Though such a putter has achieved popularity and commercial  
20 success, there has been a continuing need for improvement.

#### **SUMMARY OF THE INVENTION**

In accordance with the invention there is provided a golf putter having a putter head and an elongated putter shaft.

25 The putter head has a striking face, a sole, a centerline

marker marking the desired area of putter to ball impact, a  
toe normally positioned remote from a user when in play and a  
heel opposite said toe. The elongated putter shaft has a grip  
on one end and, at an opposite end, attached to the putter  
5 head between the centerline marker and the toe, the putter  
shaft having a transverse marking which lines up vertically  
with the centerline marker on the putter head when a user is  
holding the putter in a putting position with the golfer's  
eyes over the centerline marker of the putter head.

10

Preferably, the centerline marker is perpendicular to the  
striking face and is vertically aligned with the desired area  
of putter to ball impact of the putter head.

15 Advantageously, the putter shaft extends across the putter  
head from proximate the toe towards the heel at an acute angle  
with the sole of the putter head, crossing the centerline of  
the putter head.

In another aspect of the invention there is provided a method  
20 of aligning a putter and a golfer's eyes to a putter head and  
a desired line of travel, which includes providing a putter  
which has a shaft attached proximate a toe of a putter head  
and at least a portion of which shaft angles back towards a  
golfer when the golfer and the shaft are in the putting  
25 position. The method further includes placing a center line

marker over the desired area of putter to ball impact of the  
putter head, and placing a marker on an upper side of the  
shaft of the putter which vertically aligns with the  
centerline marker when the putter is in the putting position;  
5 and holding the putter in the putting position and then  
aligning a golfer's eyes with the aligned mark on the shaft  
and the centerline mark on the putter head such that the  
putter head is perpendicular to the desired direction of  
travel of the golf ball.

10

**BRIEF DESCRIPTION WITH REFERENCE TO THE DRAWINGS**

Further features and advantages will be apparent from the  
following detailed description, given by way of example, of a  
preferred embodiment taken in conjunction with the  
15 accompanying drawings, wherein:

Fig. 1 is a elevation view showing the putter head and a  
portion of the putter shaft;

Fig. 2 is a top view of the putter head and a portion of the  
20 putter shaft showing the shaft mark and the center line mark  
on the putter head; and

Fig. 3 is an elevation view showing a golfer with his eyes  
aligned with the center line mark on the putter head and the  
mark on the shaft.

25

**DETAILED DESCRIPTION WITH REFERENCE TO THE DRAWINGS**

Referring to Figs. 1 and 2, a putter shaft 1 is attached to a putter head 6 proximate a toe 4 of the putter head 6. The putter head also has a heel 5, a sole 8 and a centerline mark 3, which corresponds with a center of gravity of the putter head 6. A mark 2 on the upper side of the shaft 1 is placed so that with the putter in a putting position, the mark 2 is aligned with the centerline mark 3 on the top of the putter head 6. The mark on the top of the putter head is perpendicular to a strike face 7 of the putter head 6. The shaft extends from its point of attachment proximate the toe 4 across the centerline mark 3 towards a golfer when in the putting position.

Referring to Fig. 3, a golfer 8 is positioned over a putter 10, with the golfer's eyes over the marks on the shaft and the head 6. Complete alignment is achieved once the strike face 7 is placed perpendicular to the desired direction of travel of a golf ball.

20

Accordingly, while this invention has been described with reference to illustrative embodiments, this description is not intended to be construed in a limiting sense. Various modifications of the illustrative embodiments, as well as other embodiments of the invention, will be apparent to

25

persons skilled in the art upon reference to this description.  
It is therefore contemplated that the appended claims will  
cover any such modifications or embodiments as fall within the  
true scope of the invention.

5

6



**I CLAIM:**

1. A golf putter, comprising:

(a) a putter head having a striking face, a sole, a centerline marker marking the desired area of putter to ball impact, a toe normally positioned remote from a user when in play and a heel opposite said toe; and

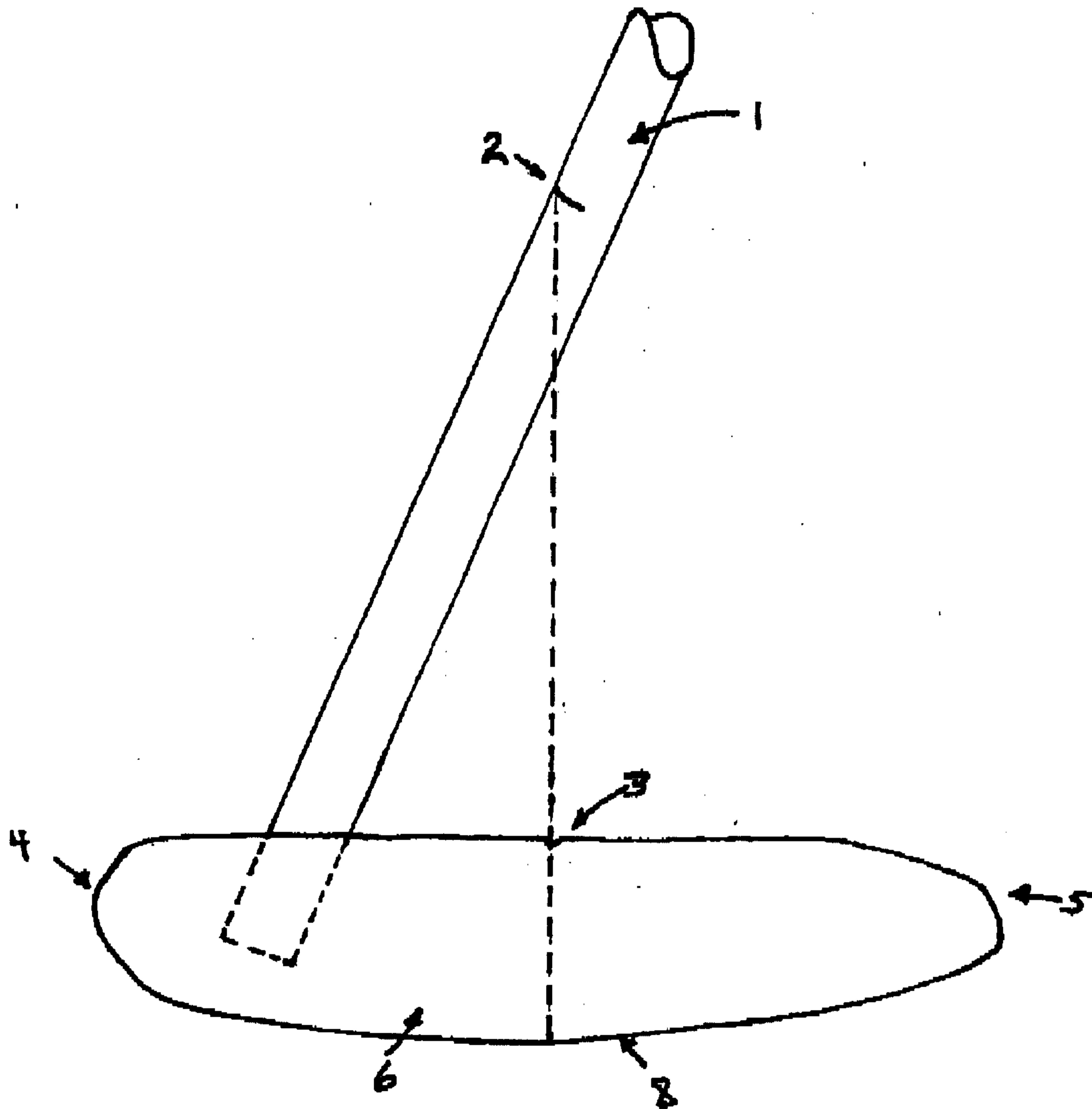
(b) an elongated putter shaft having a grip on one end and, at an opposite end, attached to said putter head between the centerline marker and said toe, said putter shaft having a transverse marking which lines up vertically with the centerline marker on said putter head, when the user is addressing a golf ball found at rest on a putting surface, the user's line of sight forms a straight line perpendicular to the putting surface that connects the user's eyes, the transverse marker and the centerline marker of said putter head ensuring the user's eyes are vertically over the centerline of said putter head.

2. The golf putter according to claim 1, wherein the centerline marker is perpendicular to the striking face and is vertically aligned with the desired area of putter to ball impact of said putter head.

3. The golf putter according to claim 1, wherein said putter shaft extends across the top side of said putter head from proximate said toe towards said heel at an acute angle with  
5 the sole of said putter head, crossing the center line of said putter head.

4. A golf putter according to any of claims 1 to 3, in use, where the golfer's eyes are aligned with the transverse  
10 marking on the shaft and the centerline marking on the putter head.

FIG. 1



2/3

FIG. 2

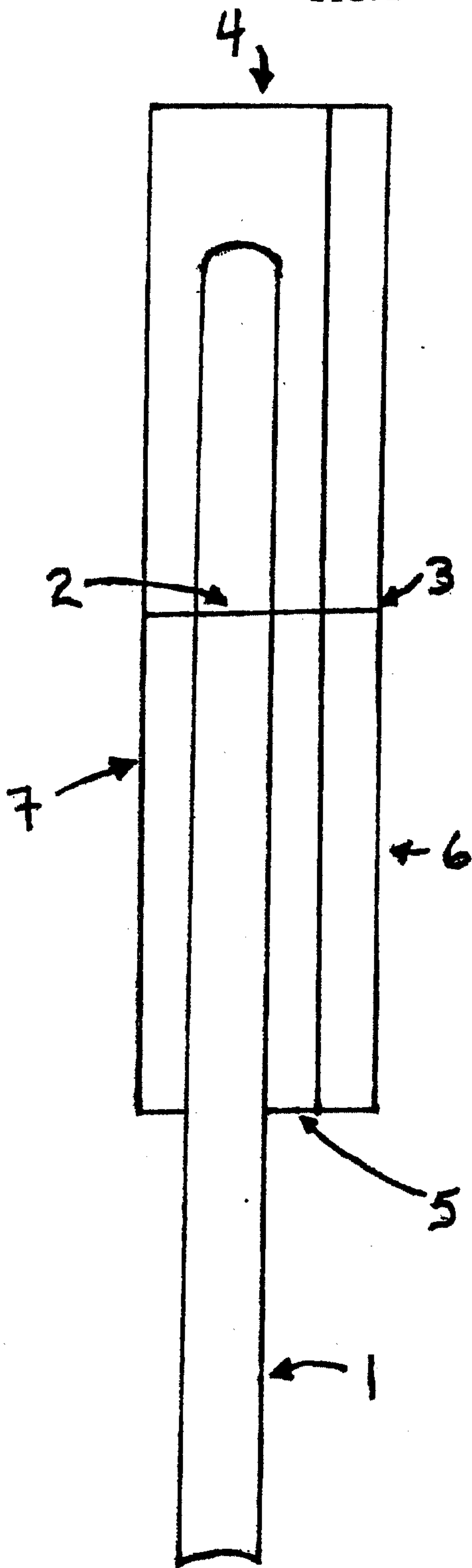


FIG 3

