



US00D886187S

(12) **United States Design Patent**
Bausback et al.

(10) **Patent No.:** **US D886,187 S**

(45) **Date of Patent:** **** Jun. 2, 2020**

(54) **BANKNOTE PROCESSING MACHINE**

G07D 11/009; G07D 11/0093; G07D 11/50; G07D

(71) Applicant: **GIESECKE+DEVRIENT CURRENCY TECHNOLOGY GMBH**, Munich (DE)

(Continued)

(72) Inventors: **Christiane Bausback**, Munich (DE); **Andreas Bergstraesser**, Albaching (DE); **Romain Allemand**, Munich (DE); **Boris Innecken**, Munich (DE)

(56) **References Cited**

U.S. PATENT DOCUMENTS

D278,831 S * 5/1985 Bressler D10/97
D279,577 S * 7/1985 Kajita D18/3.3
(Continued)

FOREIGN PATENT DOCUMENTS

WO WO-2017215783 A1 * 12/2017 G07D 11/26

(73) Assignee: **GIESECKE+DEVRIENT CURRENCY TECHNOLOGY GMBH**, Munich (DE)

OTHER PUBLICATIONS

(**) Term: **15 Years**

BPS_C2_Banknote_Processing_Systems. (online img) 1 pg. [Retrieved Jun. 24, 2019]https://res.cloudinary.com/gi-de/image/upload/w_1500,c_scale,f_auto,q_auto/prod_upload/CT/2_Solutions/2-4_Cash_Processing_Solutions/2-4-1_Banknote_Processing_Systems/2-4-1_BPS_C2/new-images/190204_Header_1440x526px_C2_Family_Header.jpg.*

(21) Appl. No.: **29/631,955**

(22) Filed: **Jan. 4, 2018**

(Continued)

(30) **Foreign Application Priority Data**

Jul. 4, 2017 (EM) 001 459 515 0001

Primary Examiner — Marie D. Fast Horse

(51) **LOC (12) Cl.** **18-01**

(74) *Attorney, Agent, or Firm* — Workman Nydegger

(52) **U.S. Cl.**
USPC **D18/3.3**

(57) **CLAIM**

The ornamental design for a banknote processing machine, as shown and described.

(58) **Field of Classification Search**

USPC ... D18/3.3, 3.1, 3.2, 4.1, 4.4, 12, 12.1, 12.2, D18/12.3, 46, 47, 56, 59; D14/300, 301, D14/302, 303, 307, 308, 348, 349, 432, D14/439, 441, 448, 449, 462, 469, 471, D14/900, 901, 902; D10/96, 97; D99/28, 34, 35, 43, 99; D19/65, 86, 100, D19/95, 99; D20/1, 8, 9; D15/122
CPC G07G 1/00; G07G 1/0009; G07G 1/0036; G07G 1/10; G07G 1/12; G07D 7/00; G07D 7/04; G07D 9/008; G07D 11/00;

DESCRIPTION

FIG. 1 is a perspective view of a banknote processing machine.
FIG. 2 is a front elevational view of the banknote processing machine of FIG. 1.
FIG. 3 is a first side elevational view of the banknote processing machine of FIG. 1.
FIG. 4 is a second side elevational view of the banknote processing machine of FIG. 1.
FIG. 5 is a rear elevational view of the banknote processing machine of FIG. 1; and,

(Continued)

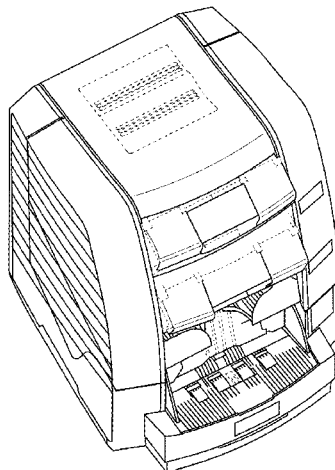


FIG. 6 is a top plan view according to the banknote processing machine of FIG. 1. The broken lines in the drawings depict portions of the banknote processing machine that form no part of the claim.

1 Claim, 3 Drawing Sheets

(58) **Field of Classification Search**
 CPC . 2207/00; G07D 2211/00; G07F 19/20; G07F 19/205
 See application file for complete search history.

(56) **References Cited**

U.S. PATENT DOCUMENTS

D279,790 S * 7/1985 Kajita D18/3.3
 4,694,963 A * 9/1987 Takesako G07D 11/50
 209/534
 D295,109 S * 4/1988 Nishida D18/3.3
 D295,569 S * 5/1988 Nishida D18/3.3
 D320,806 S * 10/1991 Inoue D18/3.3
 D338,905 S * 8/1993 Helgeson D18/3.3
 D369,923 S * 5/1996 Crane, Jr. D14/302
 D377,766 S * 2/1997 Hidaka D18/3.3
 D427,623 S * 7/2000 Kuwada D18/3.1
 D435,587 S * 12/2000 Suzuki D18/48
 D438,556 S * 3/2001 Kato D18/3.3
 D439,604 S * 3/2001 Takagi D18/3.3
 6,278,795 B1 * 8/2001 Anderson G07D 11/50
 382/135
 D452,973 S * 1/2002 Kuwada D18/3.3
 D455,777 S * 4/2002 Beckstrom D15/145
 6,540,090 B1 * 4/2003 Sakai G07D 11/50
 209/534
 6,578,713 B1 * 6/2003 Matsuura G07D 11/50
 209/534
 D477,349 S * 7/2003 Osada D18/3.1
 6,772,886 B2 * 8/2004 Werner G07D 11/50
 209/534
 6,782,987 B1 * 8/2004 Abe G07D 11/50
 194/207
 D517,115 S * 3/2006 Kuwada D18/3.3

D562,377 S * 2/2008 Kuroda D18/3.1
 D582,471 S * 12/2008 Stoddart D18/46
 D590,870 S * 4/2009 Kuwada D18/3.1
 D623,220 S * 9/2010 Kim D18/46
 8,074,806 B2 * 12/2011 Ozaki G07D 11/50
 209/534
 D657,815 S * 4/2012 Iwakami D18/3.3
 D676,343 S * 2/2013 Shih D10/97
 D676,344 S * 2/2013 Shih D10/97
 D677,593 S * 3/2013 Shih D10/97
 D686,273 S * 7/2013 Kurokawa D18/3.3
 8,515,573 B2 * 8/2013 Morino G07D 11/50
 700/223
 8,746,695 B2 * 6/2014 Jang G07D 11/50
 271/264
 D735,253 S * 7/2015 Bausback D15/122
 D767,668 S * 9/2016 van Slooten D18/3.3
 D850,524 S * 6/2019 Oba D18/3.3
 D855,103 S * 7/2019 van Slooten D18/3.3
 2004/0182675 A1 * 9/2004 Long G07D 11/50
 194/206
 2005/0029168 A1 * 2/2005 Jones G07D 11/50
 209/534
 2005/0045448 A1 * 3/2005 Sugano G07D 11/50
 194/207
 2005/0183928 A1 * 8/2005 Jones G07D 11/50
 194/207
 2012/0002218 A1 * 1/2012 Matsuura G07D 11/50
 358/1.6
 2013/0113159 A1 * 5/2013 Jang G07D 11/50
 271/264
 2016/0063794 A1 * 3/2016 Sato G07D 11/50
 194/206
 2017/0206732 A1 * 7/2017 Mizushima G07D 11/50
 2018/0108202 A1 * 4/2018 Kim G07D 11/50

OTHER PUBLICATIONS

Money counting machines. (Design—© Questel) orbit.com. [online PDF] 91 pgs. Print Dates range Jun. 14, 2010 through Apr. 9, 2019. [Retrieved on Jun. 27, 2019] <https://sobjprd.questel.fr/export/QPTUJ214/pdf2/94a3020e-f089-4079-b33d-a26ca8475248-200355.pdf>.*

* cited by examiner

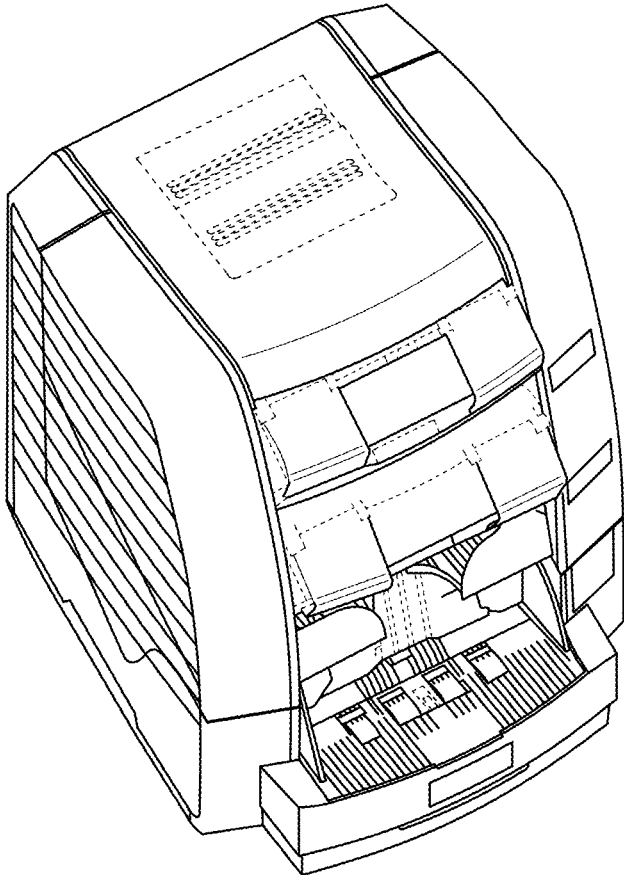


FIG. 1

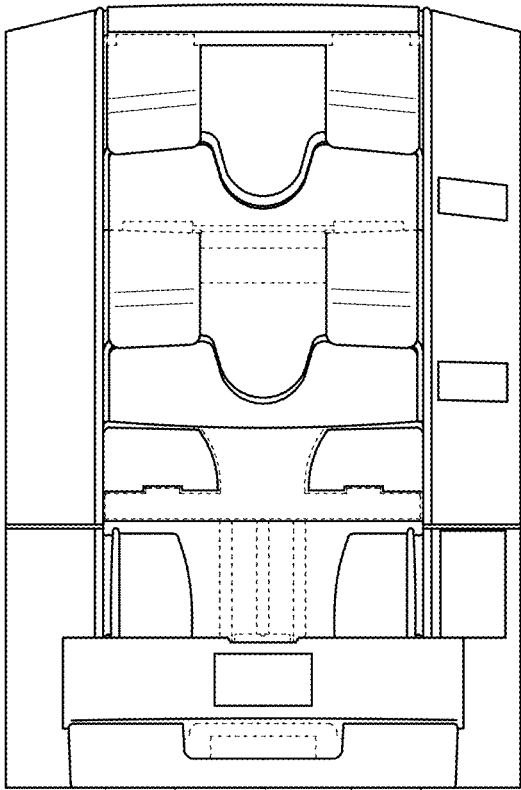


FIG. 2

FIG. 3

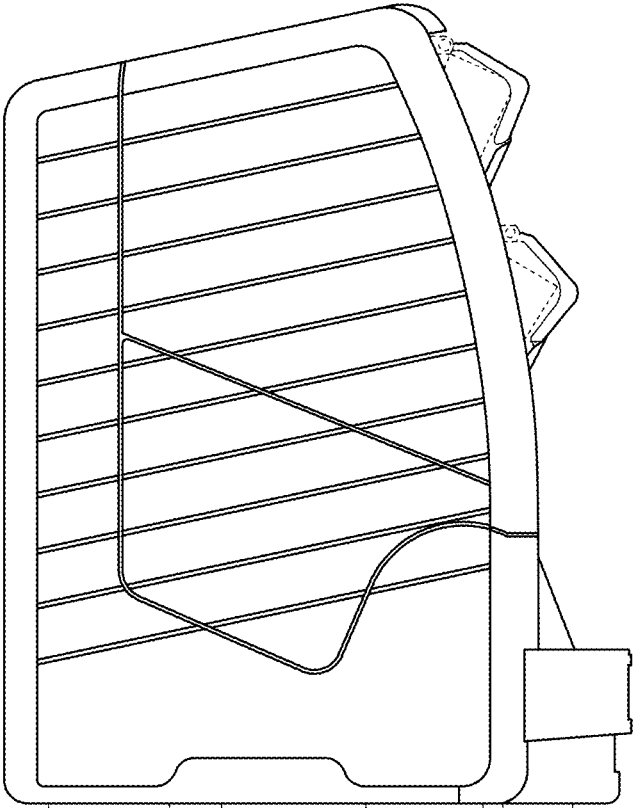


FIG. 4

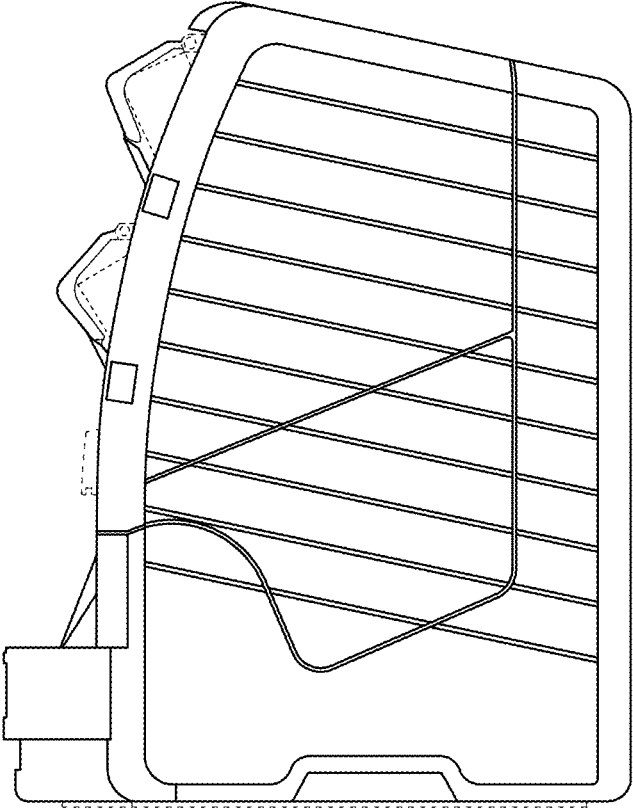


FIG. 5

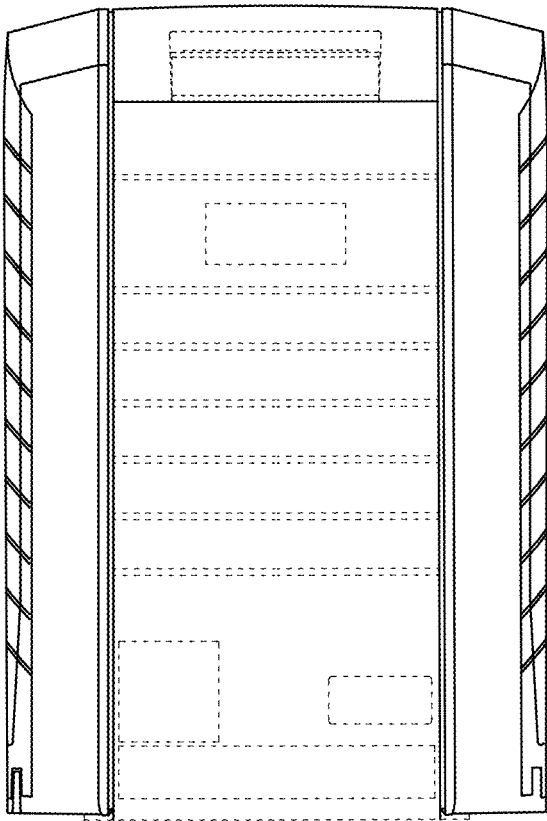


FIG. 6

