

(21) Application No 9200533.9

(22) Date of filing 10.01.1992

(71) Applicant  
**Universal Pens (U K) Limited**  
  
(Incorporated in the United Kingdom)

6th Floor, New Enterprise House, 149-151 High Road,  
Chadwell Heath, Essex, RM6 6PJ, United Kingdom

(72) Inventor  
**Michael Humphrey Lewis**

(74) Agent and/or Address for Service  
**Frank B Dehn & Co**  
Imperial House, 15-19 Kingsway, London, WC2B 6UZ,  
United Kingdom

(51) INT CL<sup>6</sup>  
B42D 15/04 5/04, G09D 3/00

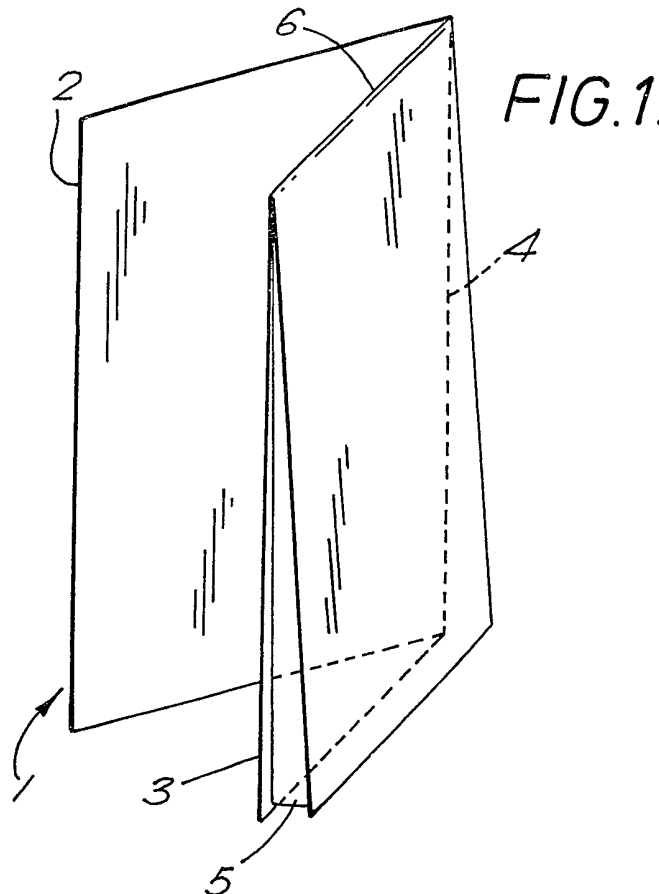
(52) UK CL (Edition L)  
B6A ADE A300 A316  
G3T TCD TC2

(56) Documents cited  
US 4024656 A

(58) Field of search  
UK CL (Edition L) B6A ADE, G3T TCD  
INT CL<sup>6</sup> B42D, G09D  
Online databases: WPI

(54) Greetings card including calendar, note pad, address book, chart or map

(57) A greetings card 1 comprises hingedly connected front and rear sheets 2, 3. Connected to an upper edge 6 of rear sheet 3 is a calendar, note pad, address book, conversion chart or map 5, whereby after display as a greetings card the card may serve an additional purpose.



At least one drawing originally filed was informal and the print reproduced here is taken from a later filed formal copy.

The claims were filed later than the filing date within the period prescribed by Rule 25(1) of the Patents Rules 1990.

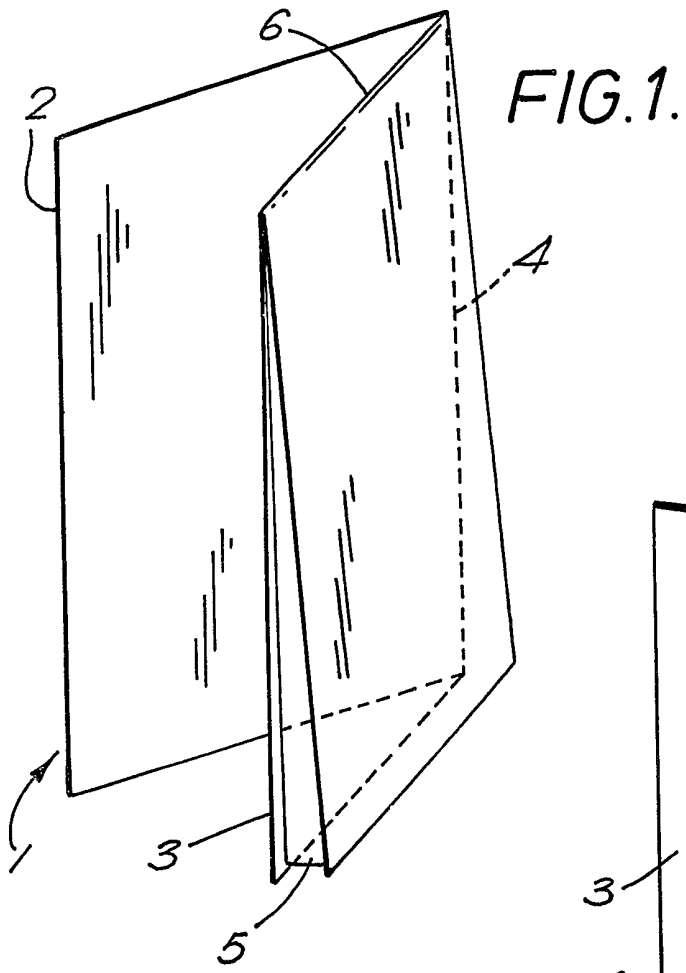
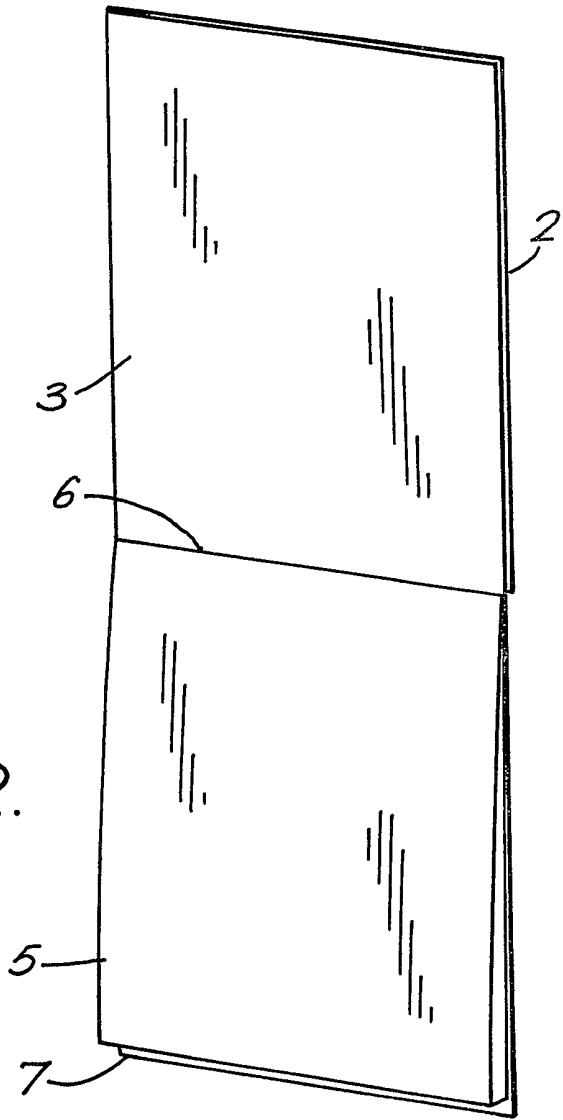
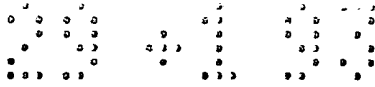


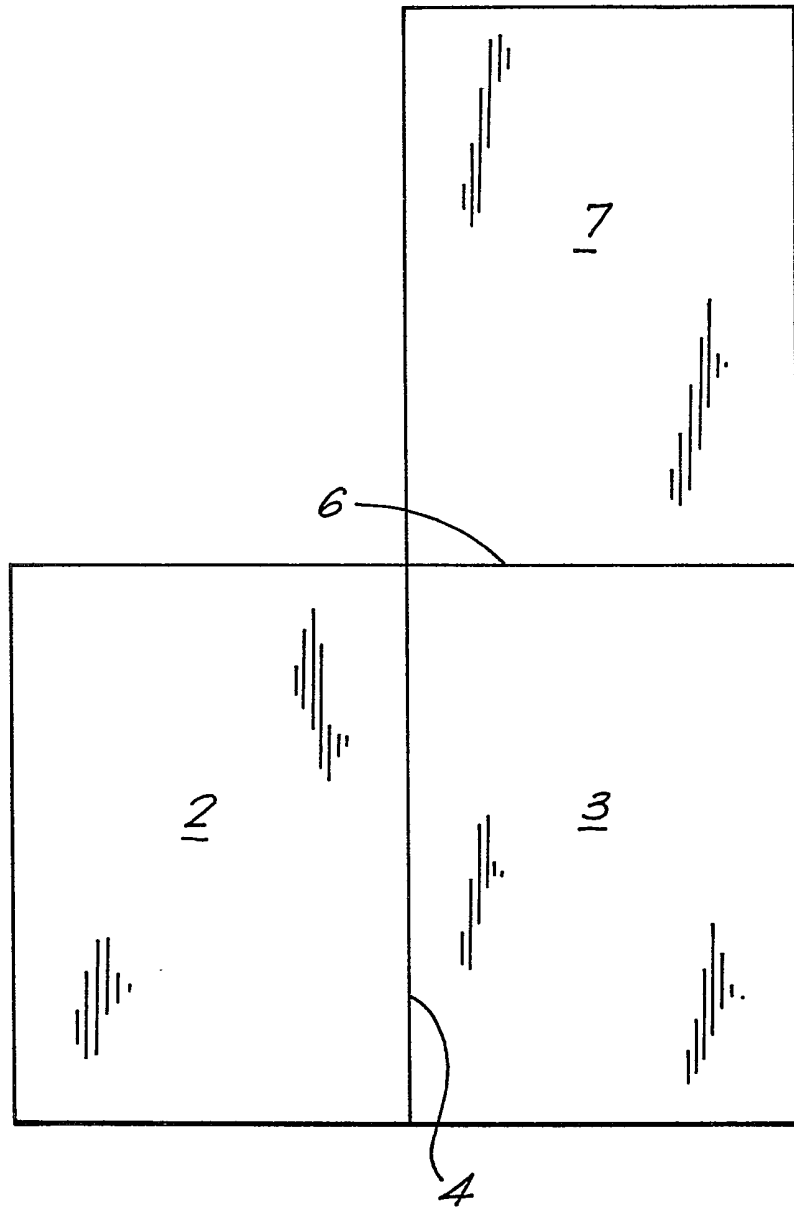
FIG. 2.





2/2

FIG. 3.



"Greetings Card"

5           This invention relates to a greetings card, such as  
for example a Christmas card or a birthday card.

          Greetings cards are well known and are  
traditionally exchanged at various times of the year,  
for example at Christmas, Easter, Mothers day and  
10       Fathers day, on birthdays and anniversaries, and many  
other such occasions. Conventionally, however, such  
greetings cards are designed as single-use items, after  
being received and displayed for a few days they are  
normally thrown away. For a number of reasons including  
15       environmental, promotional and general desirability from  
a customer viewpoint, it would be desirable to provide a  
greetings card that after being displayed would have a  
further use. The card would then become a small gift.

          According to the present invention there is  
20       provided a greetings card formed from front and rear  
sheets of card, or a like material, hingedly connected  
along one edge, one of said front and rear sheets having  
hingedly attached thereto along a second edge a  
calendar, address book, note-pad or the like.

25       In this way there is provided a greetings card  
which after being displayed may be re-used as a  
calendar, address book, note-pad or the like.

          Preferably, the calendar or the like is hingedly  
connected to the rear sheet, and preferably to the upper  
30       edge thereof, such that the calendar or the like is  
disposed behind the rear sheet when the card is stood on  
display.

          After use as a greetings card, the card may be used  
as a calendar or the like by being suspended from a hook  
35       or pin on a wall with the picture on the front of the  
greetings card acting as a decorative component of the  
calendar or the like. Preferably however the back of

the rear sheet may be provided with a picture, design or the like to serve as this decorative element.

Preferably, the calendar or like element is provided with a relatively stiff reinforcing element, which may preferably be formed of the same material as the greetings card, and may even be formed integrally with the front and rear sheets of the greetings card. The calendar or like element is preferably hingedly secured to the greetings card sheets by means of staples or like fastening elements.

An embodiment of the invention will now be described by way of example and with reference to the accompanying drawings, in which:-

Fig. 1 is a perspective view of an embodiment in a first configuration,

Fig. 2 is a perspective view in a second configuration and,

Fig. 3 is a plan view of the card unfolded.

Referring firstly to Fig. 1, there is shown in perspective view from the rear, a greetings card formed from front 2 and rear 3 sheets of card or card-like material, hingedly connected along one side edge 4. Normally, of course, the front and rear sheets 2, 3 comprise a single sheet that is folded to define the hinged edge 4. As such the greetings card is conventional.

In this embodiment of the invention, however, the greetings card further comprises a calendar element, address book, note-pad or the like 5, which is hingedly secured to an upper edge 6 of the rear sheet 3. The calendar element, address book, note-pad or the like will consist of a number of sheets of paper having a size and shape corresponding to that of the rear sheet 3, or perhaps slightly smaller than the rear sheet.

After the greetings card has been displayed in a conventional manner to mark some particular occasion, it may subsequently be re-used by closing the front and

rear sheets 2, 3 together and folding them upwardly about edge 6 into the configuration of Fig. 2. In this configuration, the calendar section, address book, note-pad or the like is suspended beneath the overlying front and rear sheets 2, 3 of the card. As such the greetings card in its thus redeployed calendar, address book, note-pad etc. form may be suspended from a wall by means of a hook or pin or the like extending through an upper region (when in the Fig. 2 configuration) of the front and rear sheets. Conceivably holes could be provided on the front and rear sheets for this purpose.

As is seen in Fig. 2, the calendar section 5 or the like includes a relatively stiff reinforcing sheet 7 disposed behind the calendar section 5. This reinforcing sheet 7 is preferably made of the same card or card-like material as the sheets 2, 3 of the greetings card, indeed it may be formed integrally therewith and be hinged to the rear sheet upper edge 6 by means of a fold line as shown in Fig. 3.

As will be understood from a consideration of Figs. 1 and 2, when the card in the calendar configuration of Fig. 2, it is the rear side of rear sheet 3 that is displayed above the calendar or the like section.

This rear side of rear sheet 3 may therefore be provided with any desired decoration, pattern, print or writing, information or the like.

It will be appreciated that while reference has been made to a calendar, address book, or note-pad, many other possibilities exist for this additional element, e.g. a conversion chart, a map or any other such desired element.

Claims

1. A greetings card formed from front and rear sheets of card, or a like material, hingedly connected along one edge, one of said front and rear sheets having hingedly attached thereto along a second edge a calendar, address book, note-pad or the like.  
5
2. A card as claimed in claim 1 wherein the calendar or the like is hingedly connected to the rear sheet.  
10
3. A card as claimed in claim 2 wherein the calendar or the like is hingedly connected to the upper edge of the rear sheet.  
15
4. A card as claimed in claim 1, 2 or 3 wherein the calendar or like element is provided with a relatively stiff reinforcing element.
- 20 5. A card as claimed in claim 4 wherein the reinforcing element is formed integrally with the front and rear sheets of the greetings card.
- 25 6. A greetings card substantially as hereinbefore described with reference to the accompanying drawings.

Patents Act 1977  
 Examiner's report to the Comptroller under  
 Section 17 (The Search Report)

Application number

GB 9200533.9

Relevant Technical fields

(i) UK Cl (Edition L ) B6A (ADE); G3T (TCD)

(ii) Int Cl (Edition 5 ) B42D; G09D

Search Examiner

G J W RUSSELL

Databases (see over)

(i) UK Patent Office

(ii) ONLINE DATABASE: WPI

Date of Search

27 JANUARY 1993

Documents considered relevant following a search in respect of claims 1-6

Category (see over)	Identity of document and relevant passages	Relevant to claim(s)
A	US 4024656 (FARNSWORTH)	1





Category	Identity of document and relevant passages	Relevant to claim(s)

**Categories of documents**

X: Document indicating lack of novelty or of inventive step.

Y: Document indicating lack of inventive step if combined with one or more other documents of the same category.

A: Document indicating technological background and/or state of the art.

P: Document published on or after the declared priority date but before the filing date of the present application.

E: Patent document published on or after, but with priority date earlier than, the filing date of the present application.

&: Member of the same patent family, corresponding document.

**Databases:** The UK Patent Office database comprises classified collections of GB, EP, WO and US patent specifications as outlined periodically in the Official Journal (Patents). The on-line databases considered for search are also listed periodically in the Official Journal (Patents).