



US00D765294S

(12) **United States Design Patent**  
**Li**

(10) **Patent No.:** **US D765,294 S**

(45) **Date of Patent:** **\*\* Aug. 30, 2016**

(54) **LIGHT**

(71) Applicant: **Ranger Li**, Anhui Province (CN)

(72) Inventor: **Ranger Li**, Anhui Province (CN)

(\*\*) Term: **14 Years**

(21) Appl. No.: **29/517,174**

(22) Filed: **Feb. 11, 2015**

(51) **LOC (10) Cl.** ..... **26-02**

(52) **U.S. Cl.**

USPC ..... **D26/37**

(58) **Field of Classification Search**

USPC ..... D26/37, 38, 40, 41, 46, 50, 51, 32, 92,  
D26/96, 12, 9, 11; 362/157, 158, 171-174,  
362/183, 184, 194-196, 202-208, 253

CPC ..... F21L 2003/00; F21L 4/00; F21L 4/005;  
F21L 4/02; F21L 4/025; F21L 4/027; F21L  
4/04; F21L 4/08; F21L 2005/00; F21L 7/00;  
F21L 11/00; F21L 13/00; F21L 13/04;  
F21L 13/08; F21L 14/02; F21L 17/00

See application file for complete search history.

(56) **References Cited**

**U.S. PATENT DOCUMENTS**

D407,512 S \* 3/1999 Yuen ..... D26/41  
D411,322 S \* 6/1999 Suzuki ..... D20/10  
D429,832 S \* 8/2000 Poon ..... D26/40

D464,454 S \* 10/2002 Suzuki ..... D26/40  
D565,766 S \* 4/2008 Shiu ..... D26/40  
D568,512 S \* 5/2008 Shiu ..... D26/40  
D576,756 S \* 9/2008 DeBrunner ..... D26/40  
D599,923 S \* 9/2009 Shiu ..... D26/40  
D605,321 S \* 12/2009 Schupp ..... D26/40  
D605,337 S \* 12/2009 Zhang ..... D26/93  
D617,480 S \* 6/2010 DeBrunner ..... D26/40  
D646,412 S \* 10/2011 Taiga ..... D26/41  
D711,572 S \* 8/2014 Kwon ..... D26/37  
D747,621 S \* 1/2016 Amerson ..... D7/354

\* cited by examiner

*Primary Examiner* — Ian Simmons

*Assistant Examiner* — Carissa C Fitts

(57) **CLAIM**

The ornamental design for a light, as shown.

**DESCRIPTION**

FIG. 1 is a front elevational view of a light showing my new design;

FIG. 2 is a rear elevational view thereof;

FIG. 3 is a left side view thereof;

FIG. 4 is a right side view thereof;

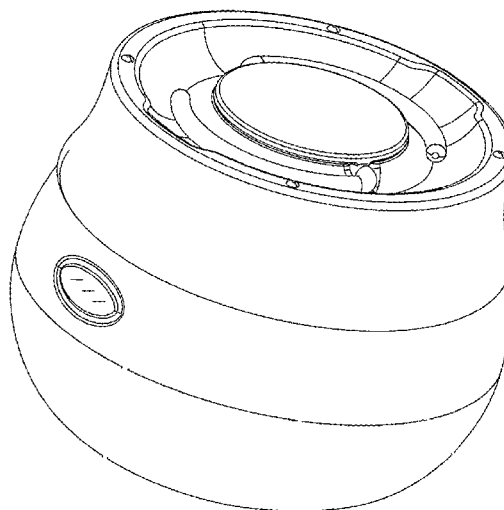
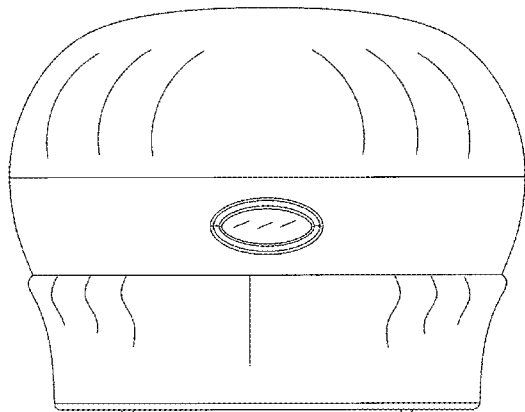
FIG. 5 is a top plan view thereof;

FIG. 6 is a bottom plan view thereof;

FIG. 7 is a perspective view thereof; and,

FIG. 8 is another perspective view thereof.

**1 Claim, 6 Drawing Sheets**



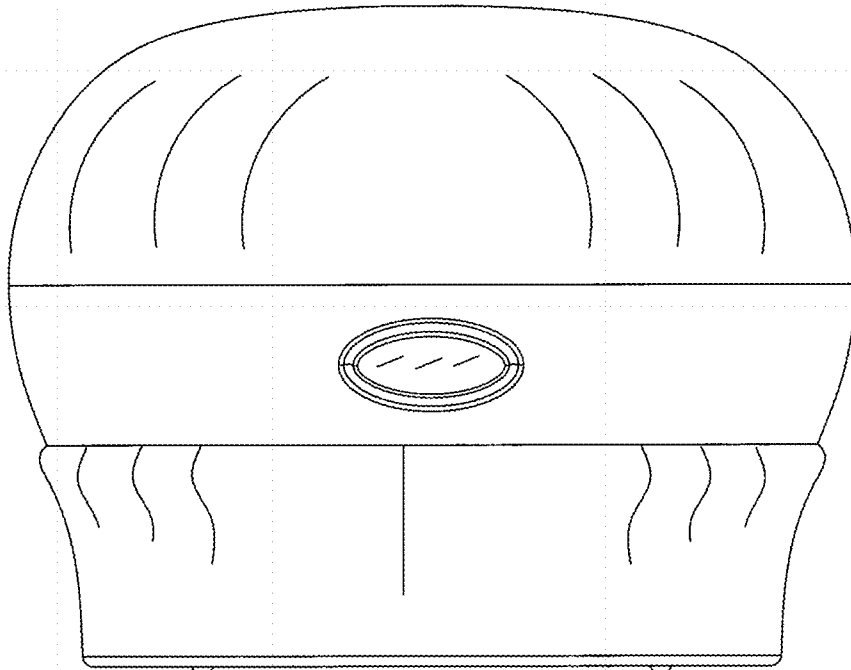


FIG. 1

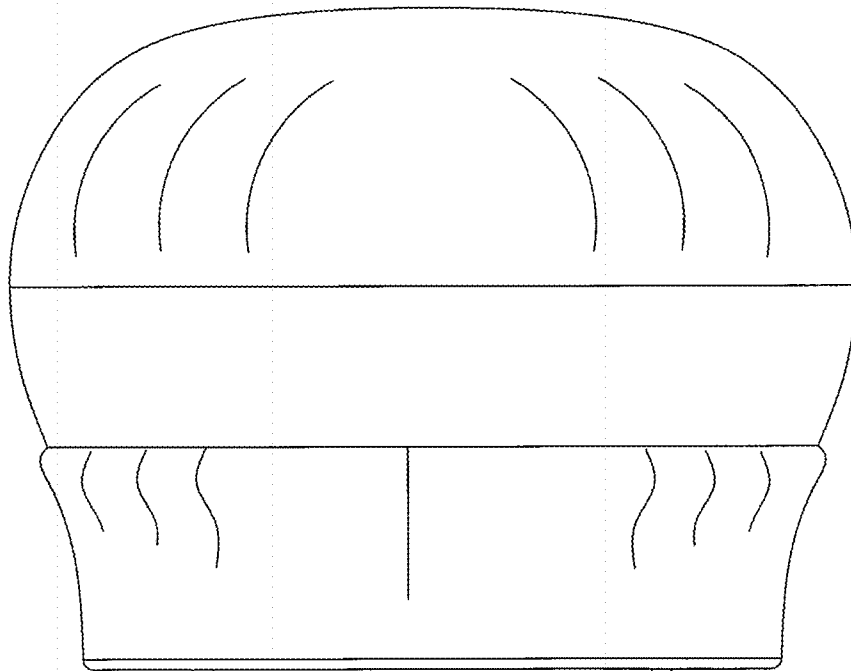


FIG. 2

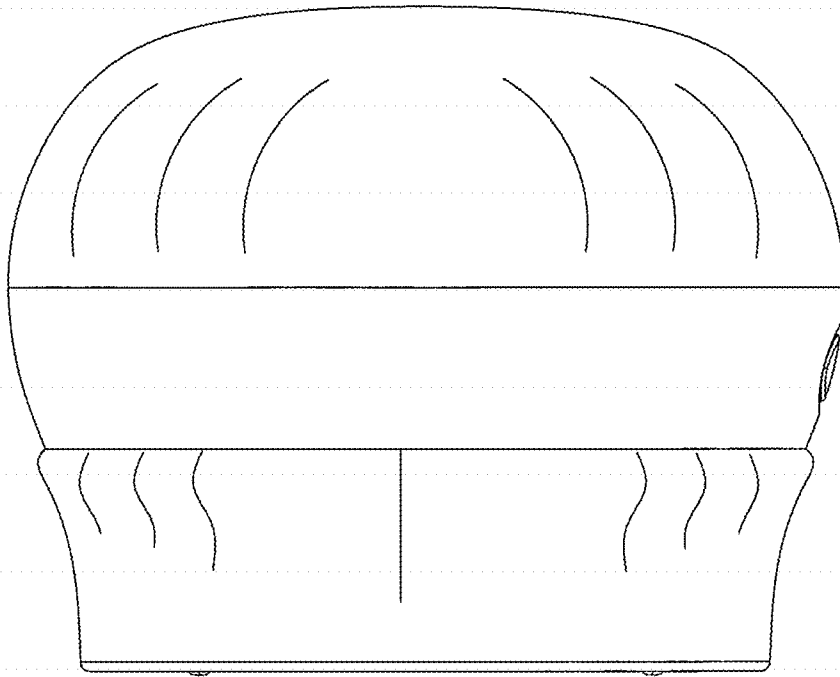


FIG. 3

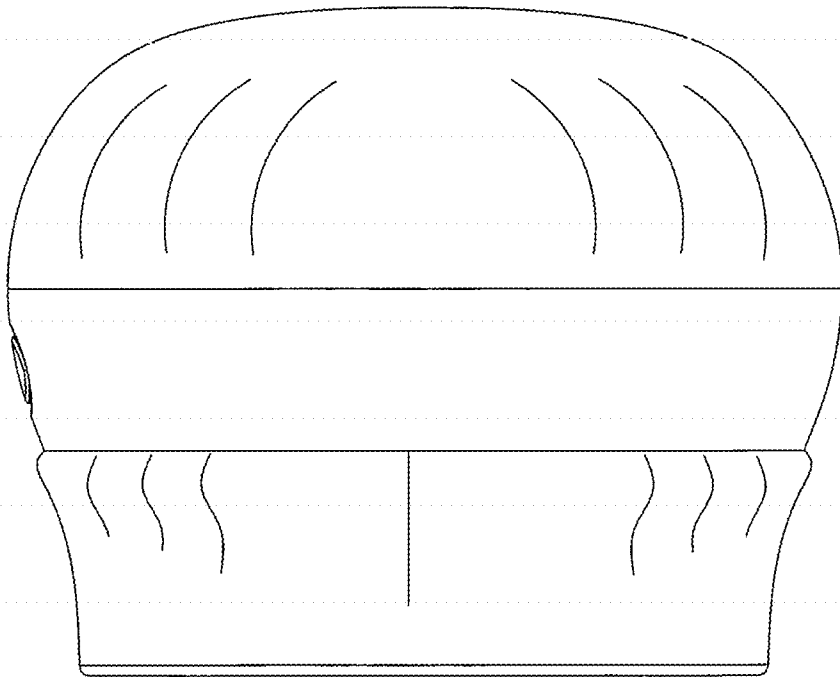


FIG. 4

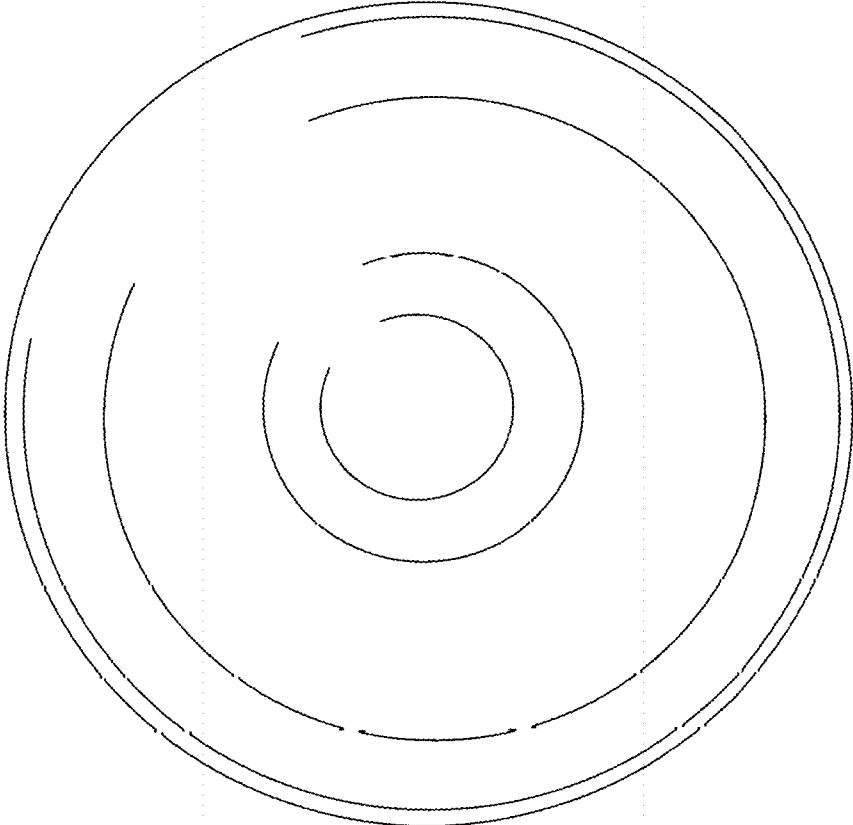


FIG. 5

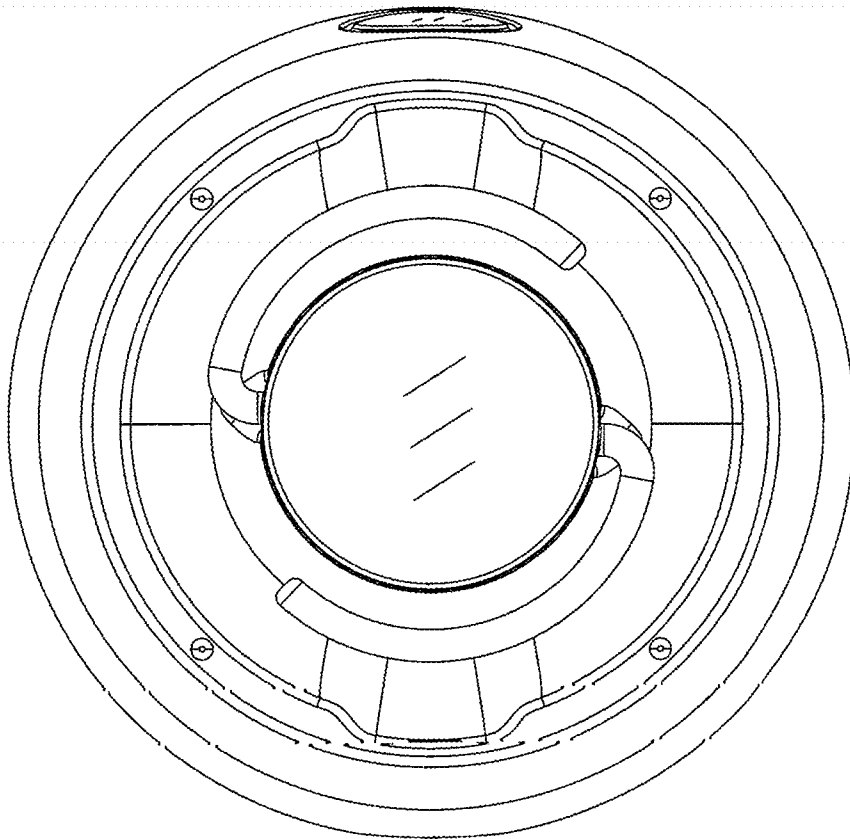


FIG. 6

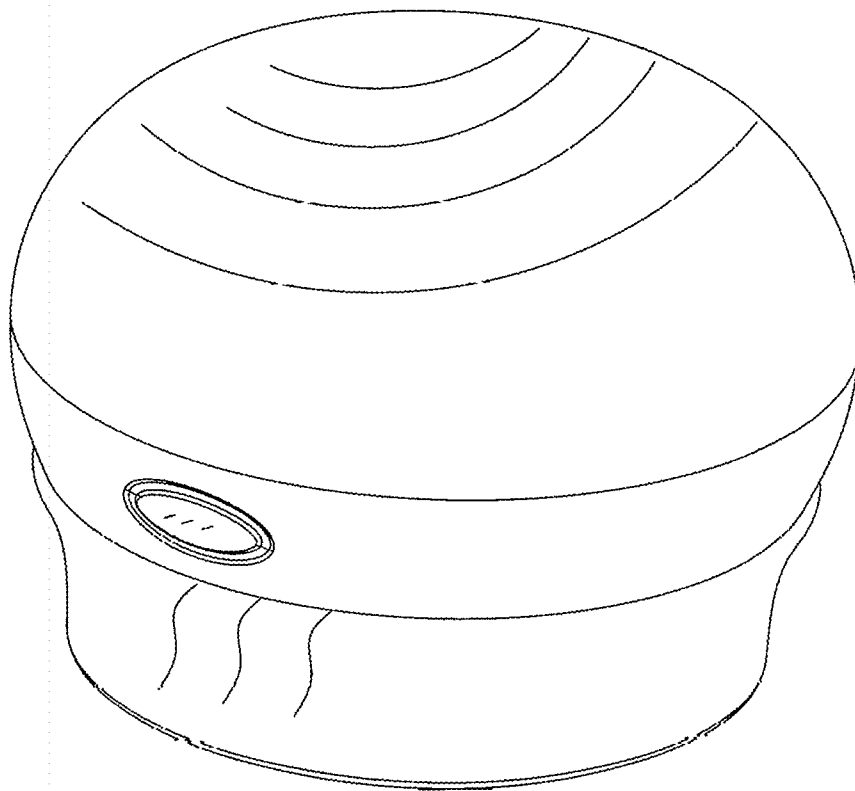


FIG. 7

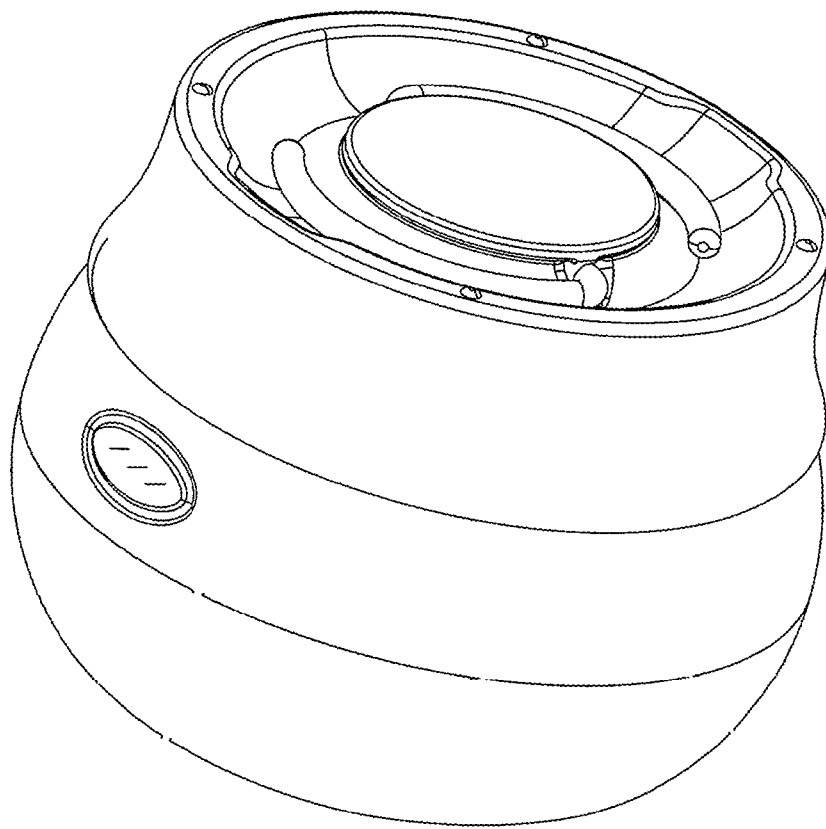


FIG. 8