



US00D980169S

(12) **United States Design Patent**
Obata

(10) **Patent No.:** **US D980,169 S**

(45) **Date of Patent:** **** Mar. 7, 2023**

(54) **CONNECTOR**

(71) Applicant: **Japan Aviation Electronics Industry, Limited, Tokyo (JP)**

(72) Inventor: **Yusuke Obata, Tokyo (JP)**

(73) Assignee: **JAPAN AVIATION ELECTRONICS INDUSTRY, LIMITED, Tokyo (JP)**

(**) Term: **15 Years**

(21) Appl. No.: **29/769,827**

(22) Filed: **Feb. 8, 2021**

(30) **Foreign Application Priority Data**

Sep. 17, 2020 (JP) 2020-019843 D

(51) **LOC (14) CL.** **13-03**

(52) **U.S. CL.**
USPC **D13/147; D13/133**

(58) **Field of Classification Search**

USPC D13/119-120, 133-134, 146-147, 149,
D13/153-154, 174, 182, 199; D14/433
CPC H01R 13/641; H01R 13/5213; H01R
13/6272; H01R 13/6456

See application file for complete search history.

(56) **References Cited**

U.S. PATENT DOCUMENTS

D314,753 S *	2/1991	Endo	D13/147
D320,975 S *	10/1991	Kawashima	D13/147
5,643,003 A *	7/1997	Myer	H01R 13/641 439/352
6,281,444 B1 *	8/2001	Yamanashi	H01R 13/5213 439/350
D459,704 S *	7/2002	Chen	D13/147
D463,370 S *	9/2002	Chen	D13/147
7,118,417 B2 *	10/2006	Aihara	H01R 13/6272 439/752

D605,133 S *	12/2009	Tanaka	D13/147
D719,098 S *	12/2014	Endo	D13/147
D748,588 S *	2/2016	Endo	D13/147
D852,753 S *	7/2019	Endo	D13/147
2002/0037661 A1 *	3/2002	Endo	H01R 13/6272 439/352
2004/0171294 A1 *	9/2004	Aihara	H01R 13/6456 439/374

* cited by examiner

Primary Examiner — Shawn T Gingrich

Assistant Examiner — Bryan N. Melvin

(74) *Attorney, Agent, or Firm* — Manabu Kanesaka

(57) **CLAIM**

The ornamental design for a connector, as shown and described.

DESCRIPTION

FIG. 1 is a front elevational view of a connector showing my new design;

FIG. 2 is a rear elevational view thereof;

FIG. 3 is a right side elevational view thereof;

FIG. 4 is a left side elevational view thereof;

FIG. 5 is a top plan view thereof;

FIG. 6 is a bottom plan view thereof;

FIG. 7 is a perspective view showing a front, top and right side thereof;

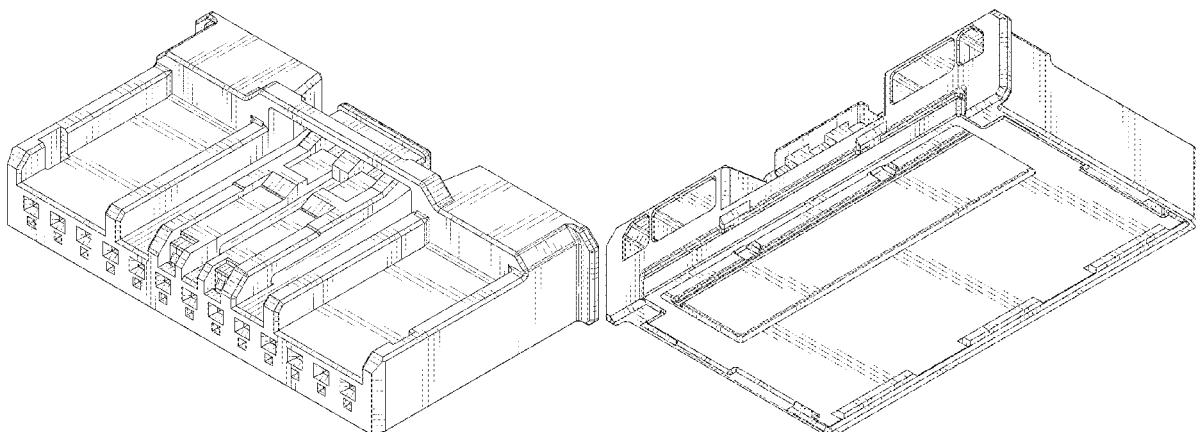
FIG. 8 is a perspective view showing a rear, bottom and left side thereof;

FIG. 9 is a perspective view showing a front, right and bottom side thereof; and,

FIG. 10 is a perspective view showing a rear, left and top side thereof.

The broken line showing of the connector is for the purpose of illustrating portions of the article and forms no part of the claimed design.

1 Claim, 5 Drawing Sheets



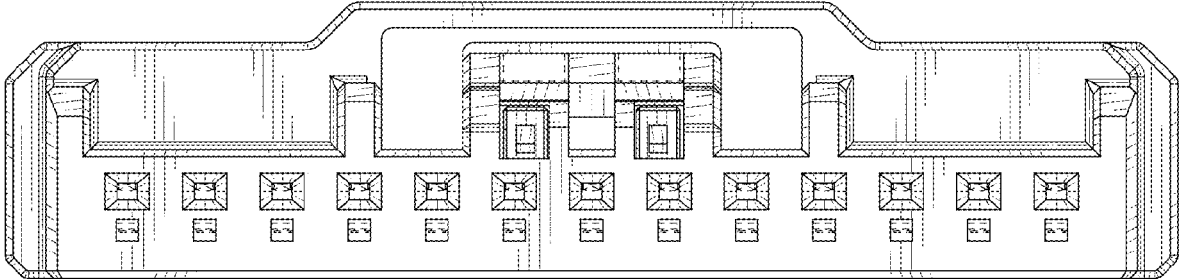


FIG. 1

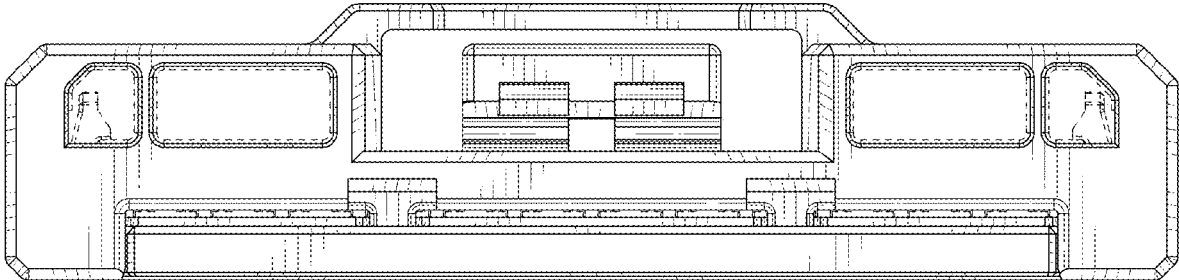


FIG. 2

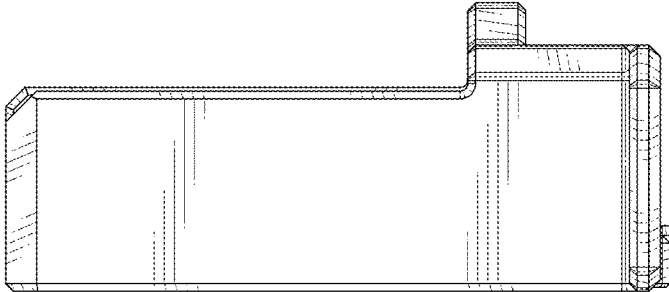


FIG. 3

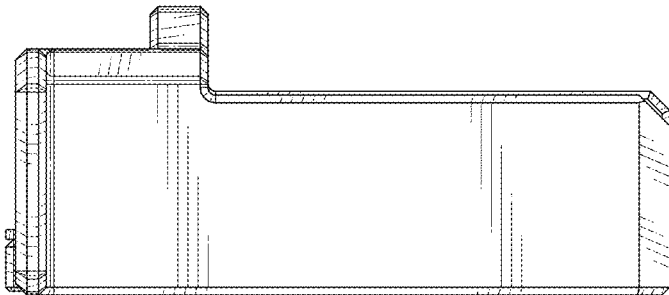


FIG. 4

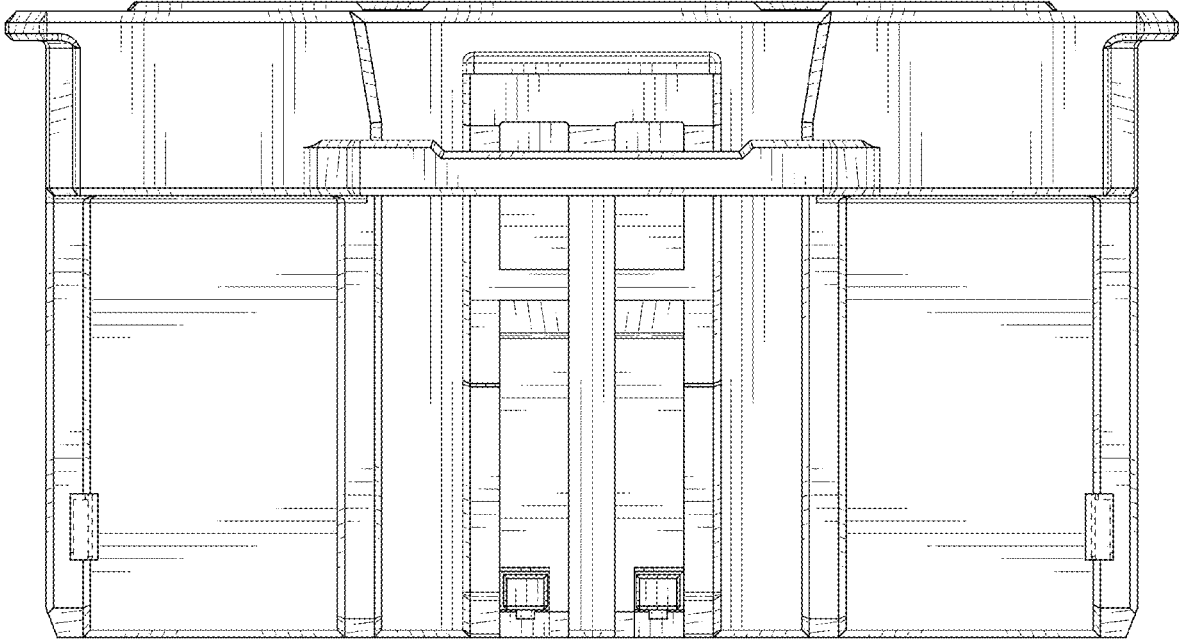


FIG. 5

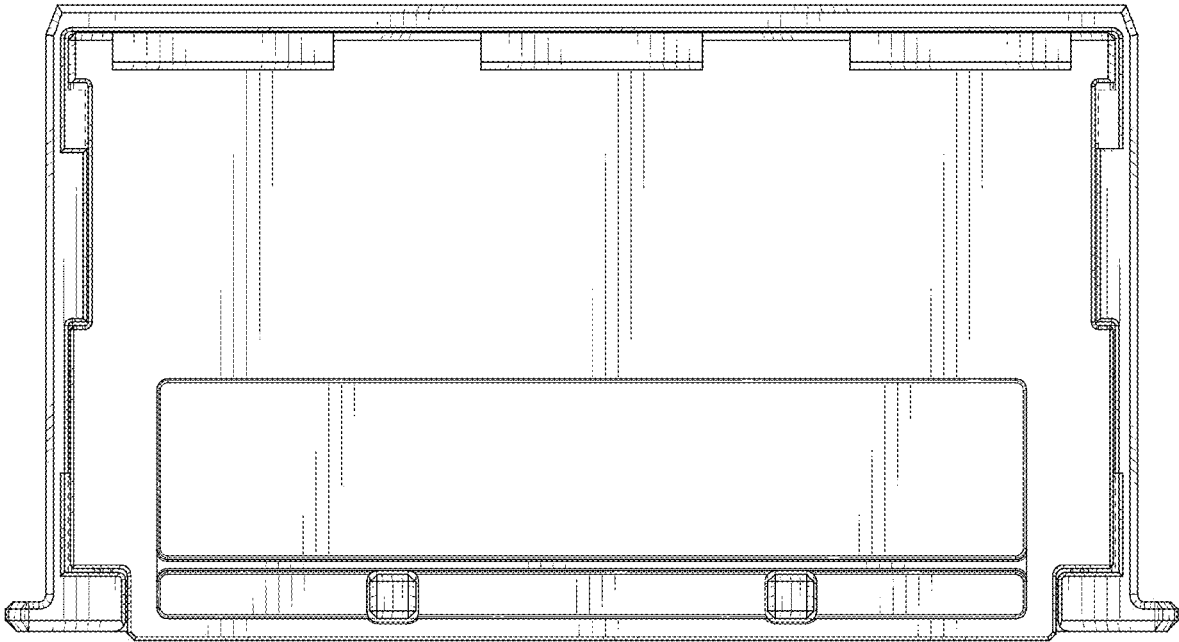


FIG. 6

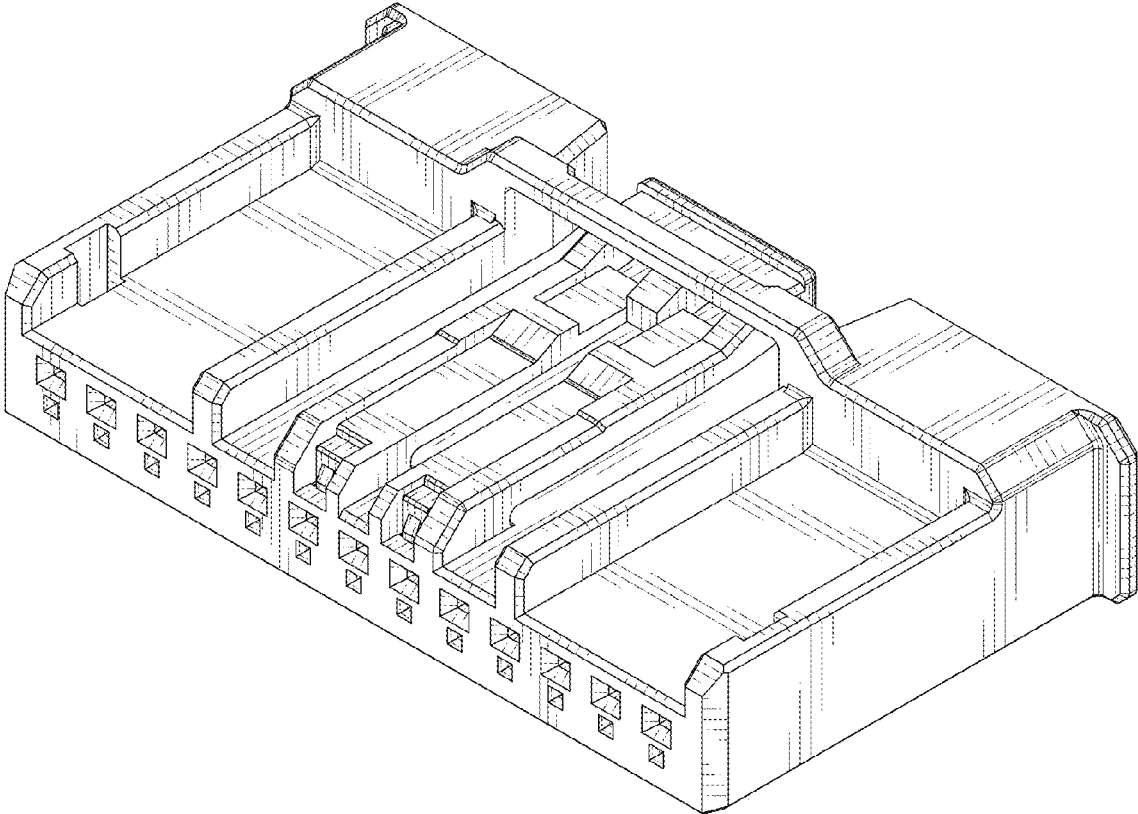


FIG. 7

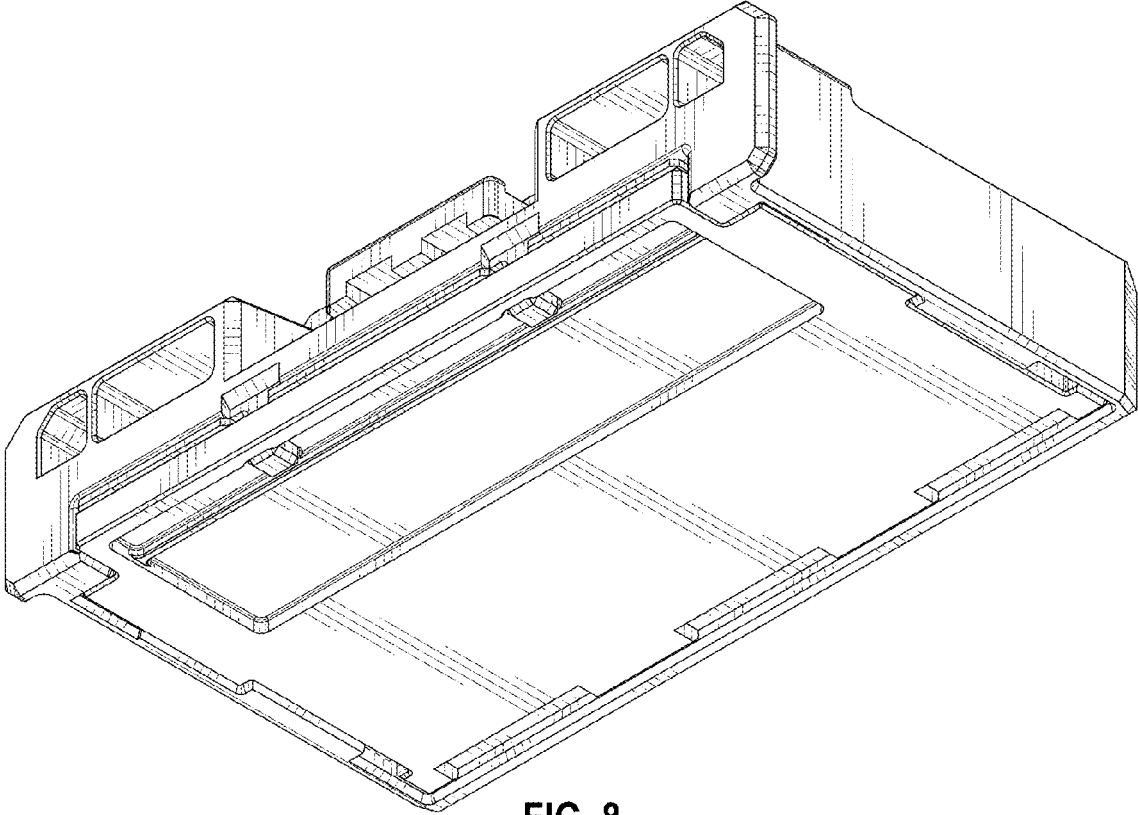


FIG. 8

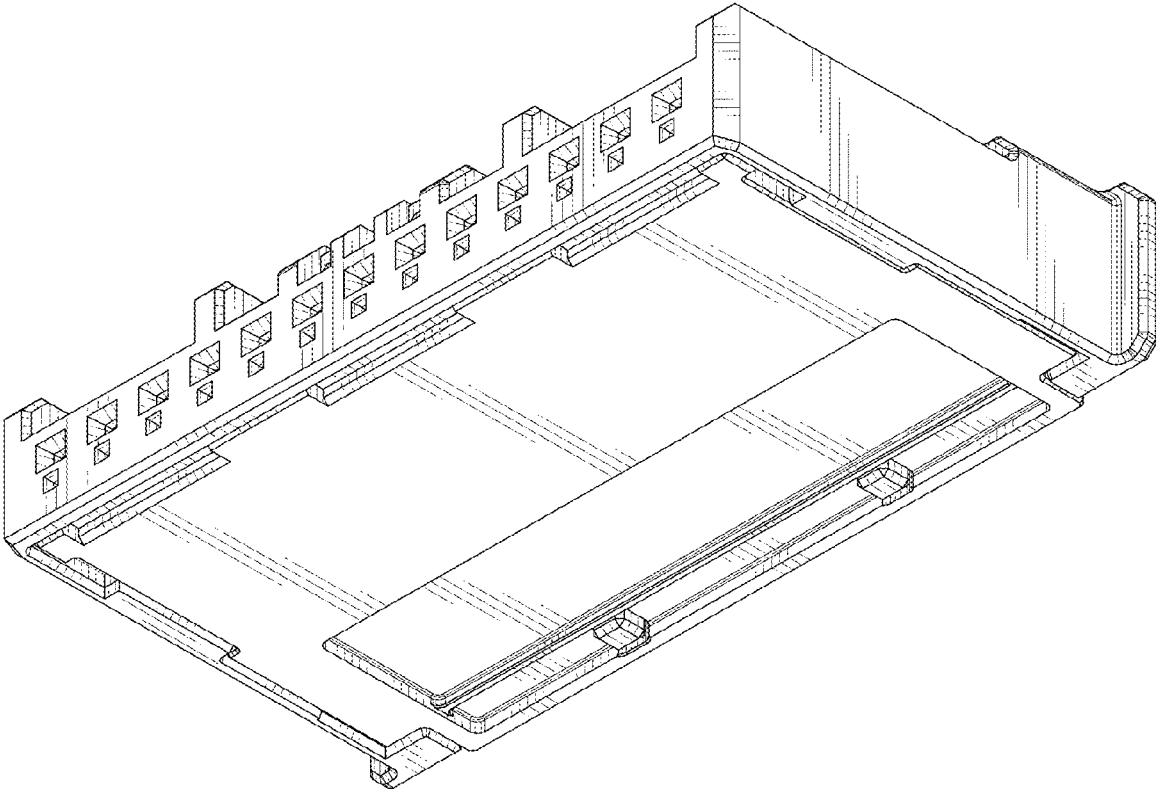


FIG. 9

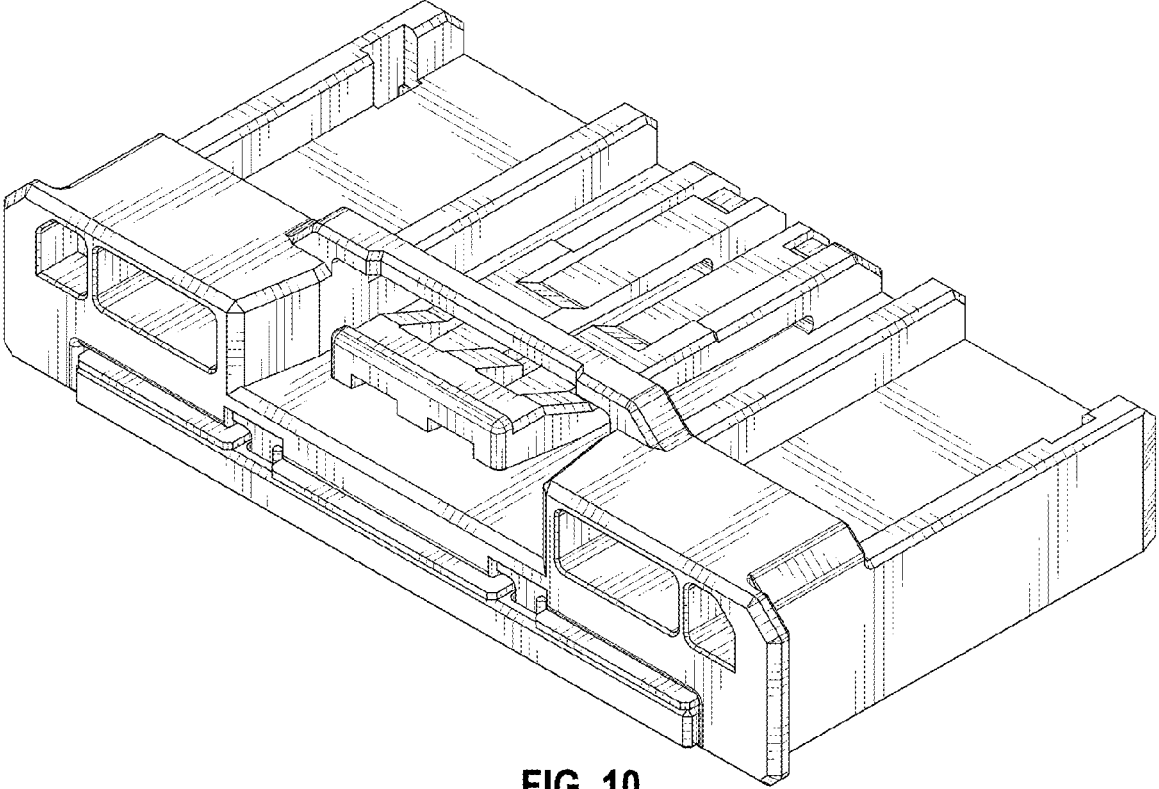


FIG. 10