

**United States Patent** [19]  
**Strignano**

[11] **Patent Number: Des. 310,258**

[45] **Date of Patent: \*\* Aug. 28, 1990**

[54] **FAUCET SET**

[75] **Inventor: Joseph Strignano, New York, N.Y.**

[73] **Assignee: I.W. Industries, Melville, N.Y.**

[\*\*] **Term: 14 Years**

[21] **Appl. No.: 39,642**

[22] **Filed: Apr. 16, 1987**

[52] **U.S. Cl. .... D23/242**

[58] **Field of Search ..... D23/238-243;  
 4/191-192; 137/801**

D. 290,159	6/1987	Jans	.....	D23/242
D. 290,867	7/1987	Paul	.....	D23/242
D. 290,870	7/1987	Paul	.....	D23/242
D. 290,871	7/1987	Paul	.....	D23/242
D. 300,942	5/1989	Paul	.....	D23/242
D. 301,056	5/1989	Paul	.....	D23/242

*Primary Examiner*—James R. Largen  
*Attorney, Agent, or Firm*—Alfred M. Walker

[57] **CLAIM**

The ornamental design for a faucet set, as shown and described.

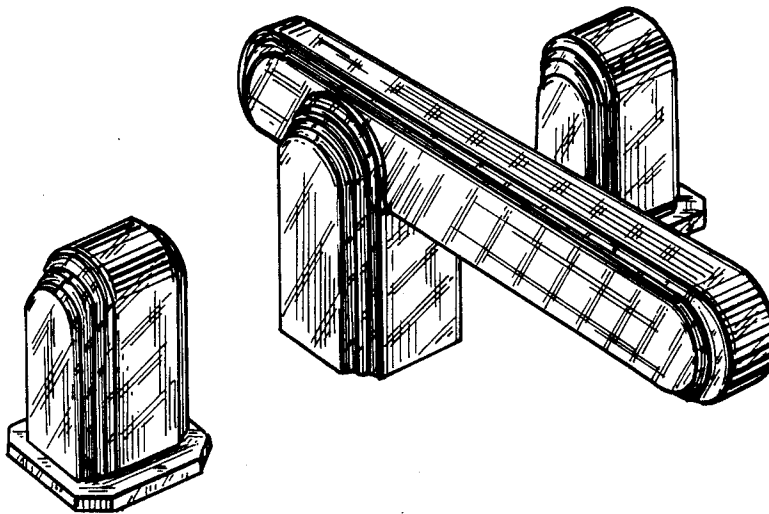
**DESCRIPTION**

FIG. 1 is a perspective view taken from the top, front and left side of a faucet set showing my new design; FIG. 2 is a top plan view thereof; FIG. 3 is a front elevational view thereof; and FIG. 4 is a left side elevational view thereof, the right side being a mirror image of the left side shown.

[56] **References Cited**

**U.S. PATENT DOCUMENTS**

D. 271,514	11/1983	Paul	.....	D23/242
D. 278,458	4/1985	Paul	.....	D23/242
D. 279,213	6/1985	Paul	.....	D23/242
D. 280,232	8/1985	Paul	.....	D23/242
D. 280,437	9/1985	Rademacher	.....	D23/242



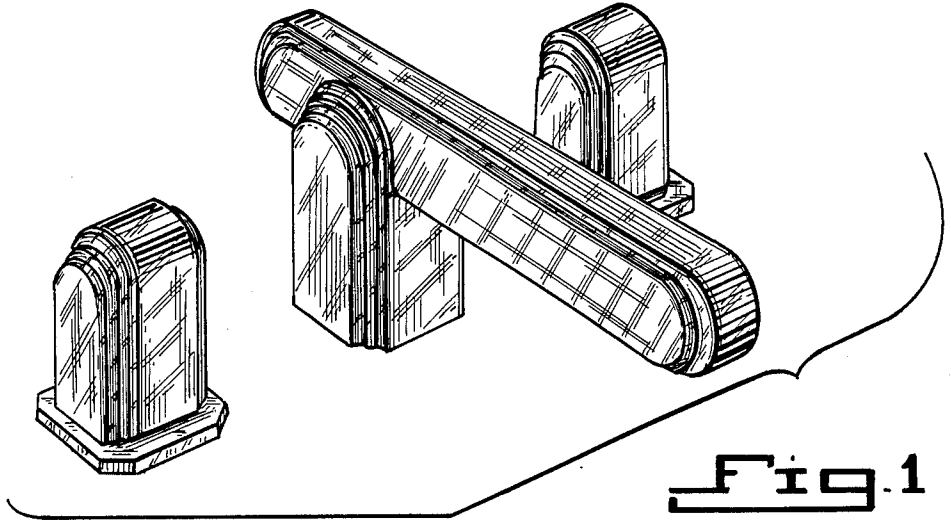


Fig. 2

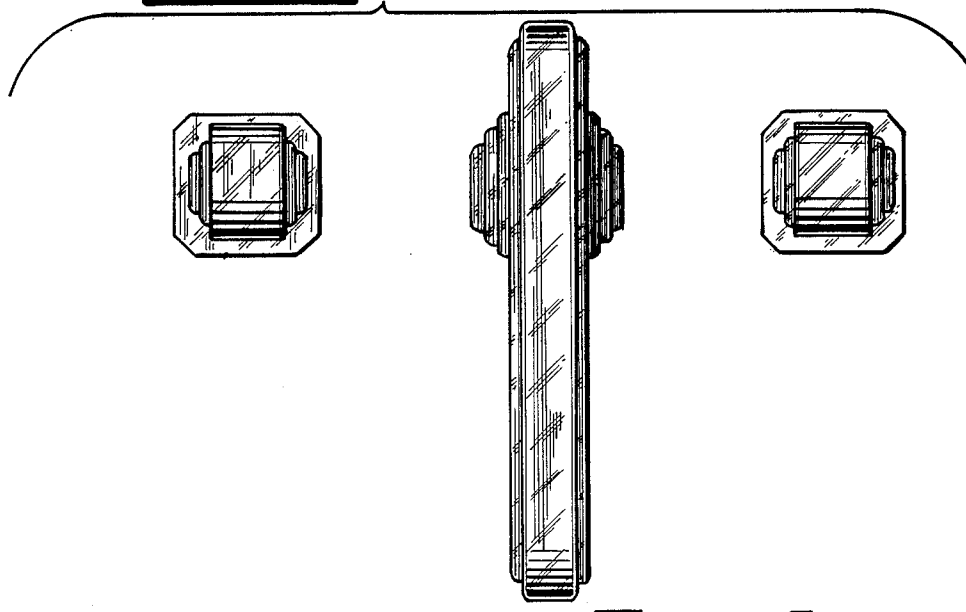
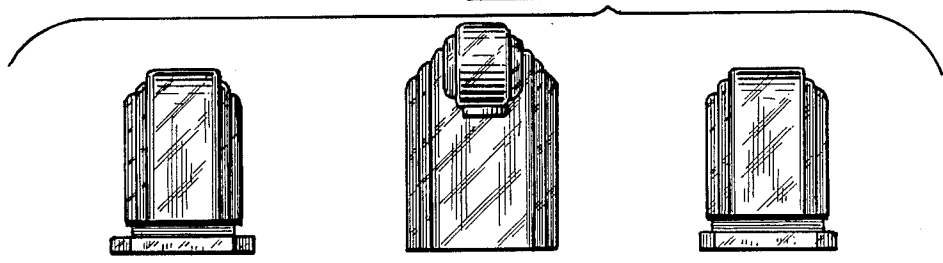


Fig. 3



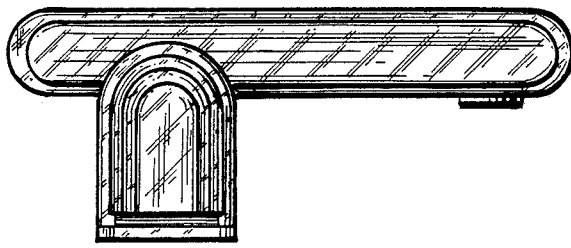


Fig. 4