



US00D835079S

(12) **United States Design Patent**
Yun

(10) **Patent No.:** **US D835,079 S**

(45) **Date of Patent:** **** Dec. 4, 2018**

(54) **CHARGING STAND ASSEMBLY FOR WIRELESS EARPIECE CASE**

Primary Examiner — Janice Hallmark
(74) *Attorney, Agent, or Firm* — Heedong Chae; Lucem, PC

(71) Applicant: **SPIGEN KOREA CO., LTD.**, Seoul (KR)

(57) **CLAIM**

The ornamental design for a charging stand assembly for a wireless earpiece case, as shown and described.

(72) Inventor: **Sun Woo Yun**, Seoul (KR)

DESCRIPTION

(73) Assignee: **SPIGEN KOREA CO., LTD.**, Seoul (KR)

FIG. 1 is a front perspective view of a charging stand assembly for a wireless earpiece case, showing my new design, in a fully assembled state;
FIG. 2 is a rear perspective view thereof;
FIG. 3 is a front elevational view thereof;
FIG. 4 is a rear elevational view thereof;
FIG. 5 is a left side elevational view thereof;
FIG. 6 is a right side elevational view thereof;
FIG. 7 is a top plan view thereof;
FIG. 8 is a bottom plan view thereof;
FIG. 9 is a front perspective view of the top portion of the charging stand assembly for a wireless earpiece case shown removed for clarity of disclosure;
FIG. 10 is a rear perspective view thereof;
FIG. 11 is a front perspective view of the bottom portion of the charging stand for a wireless earpiece case shown removed for clarity of disclosure;
FIG. 12 is a rear perspective view thereof;
FIG. 13 is a front perspective view of the charging stand assembly for a wireless earpiece case shown in an exploded view for clarity of disclosure;
FIG. 14 is a rear perspective view thereof; and,
FIG. 15 is a front perspective view of the charging stand assembly for a wireless earpiece case shown in a state of use with a wireless earpiece case shown in broken line.
The broken lines in FIGS. 1 to 14 depict portions of the charging stand assembly for a wireless earpiece case that form no part of the claimed design. The broken lines in FIG. 15 depict environmental subject matter only and form no part of the claimed design. The broken lines and unshaded surfaces bounded by broken lines form no part of the claimed design.

(**) Term: **15 Years**

(21) Appl. No.: **29/591,735**

(22) Filed: **Jan. 23, 2017**

Related U.S. Application Data

(63) Continuation-in-part of application No. 29/589,370, filed on Dec. 30, 2016, now Pat. No. Des. 818,994, (Continued)

(51) **LOC (11) Cl.** **14-01**

(52) **U.S. Cl.**
USPC **D14/224**; D14/217; D14/434; D13/108

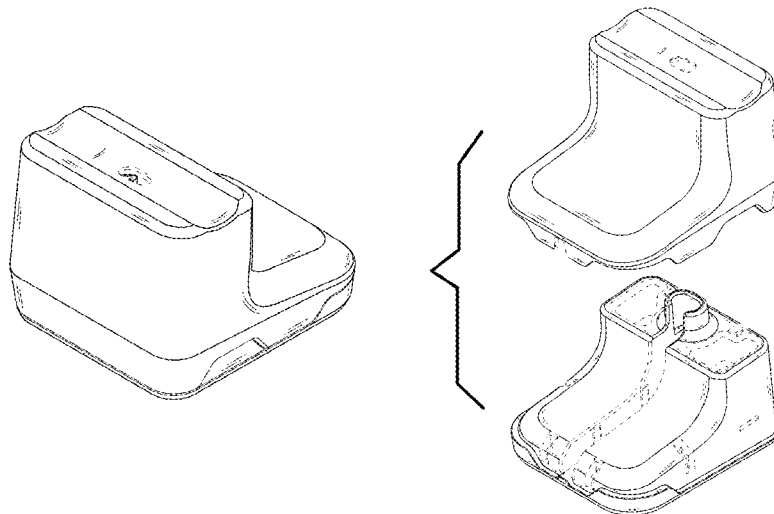
(58) **Field of Classification Search**
USPC D14/107, 108, 168, 217, 224, 240, 251, D14/252, 253, 434, 447
(Continued)

References Cited

U.S. PATENT DOCUMENTS

D277,662 S 2/1985 Huntington et al.
D354,041 S 1/1995 Scheid et al.
(Continued)

1 Claim, 15 Drawing Sheets



Related U.S. Application Data

and a continuation-in-part of application No. 29/589, 375, filed on Dec. 30, 2016.

(58) **Field of Classification Search**

CPC H01R 13/60; H01R 35/00; H01R 13/64
See application file for complete search history.

(56) **References Cited**

U.S. PATENT DOCUMENTS

D474,737 S 5/2003 Yoshida
D489,325 S 5/2004 Nakamura
D495,336 S 8/2004 Andre et al.
D523,847 S 6/2006 Naruki
D535,615 S * 1/2007 Iwai D13/108
D553,106 S 10/2007 Griffin
D564,959 S 3/2008 Heine et al.
D597,939 S * 8/2009 Tkachuk D13/108
D607,817 S * 1/2010 Tan D13/108
D624,919 S 10/2010 Bull
D628,562 S * 12/2010 Akana D14/217

D638,831 S 5/2011 Paradise
D645,027 S * 9/2011 Gougherty D14/223
D655,293 S * 3/2012 Gioscia D14/434
D662,089 S 6/2012 Gougherty et al.
D664,958 S * 8/2012 McManigal D14/434
D669,888 S * 10/2012 Gougherty D14/223
D675,155 S 1/2013 Smith et al.
D684,145 S * 6/2013 Rath D14/206
D686,595 S 7/2013 Andre et al.
D692,009 S * 10/2013 Ashida D14/447
D702,665 S * 4/2014 Kim D14/217
D705,158 S 5/2014 Gengler
D711,316 S * 8/2014 Ryu D13/108
8,838,029 B2 * 9/2014 Goldman H04M 1/04
455/41.2
D730,888 S 6/2015 Malsan
D735,132 S * 7/2015 Donohue, II D13/108
D765,623 S 9/2016 Yang et al.
D771,760 S * 11/2016 Riddiford D21/694
D780,186 S * 2/2017 Lee D14/253
D780,187 S * 2/2017 Lee D14/253
D799,494 S * 10/2017 Lee D14/447

* cited by examiner

FIG. 1

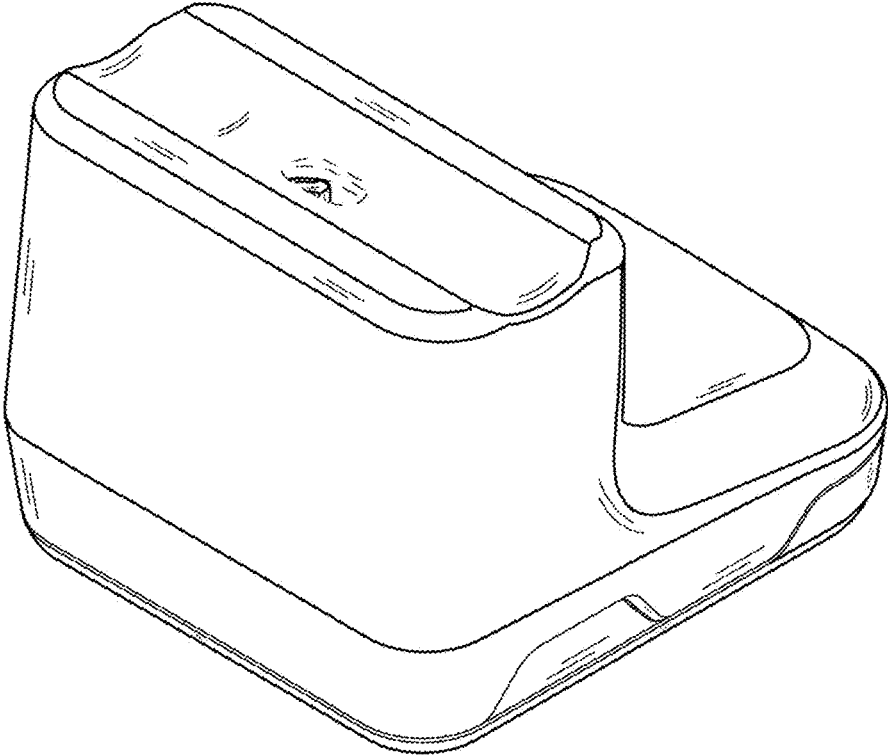


FIG. 2

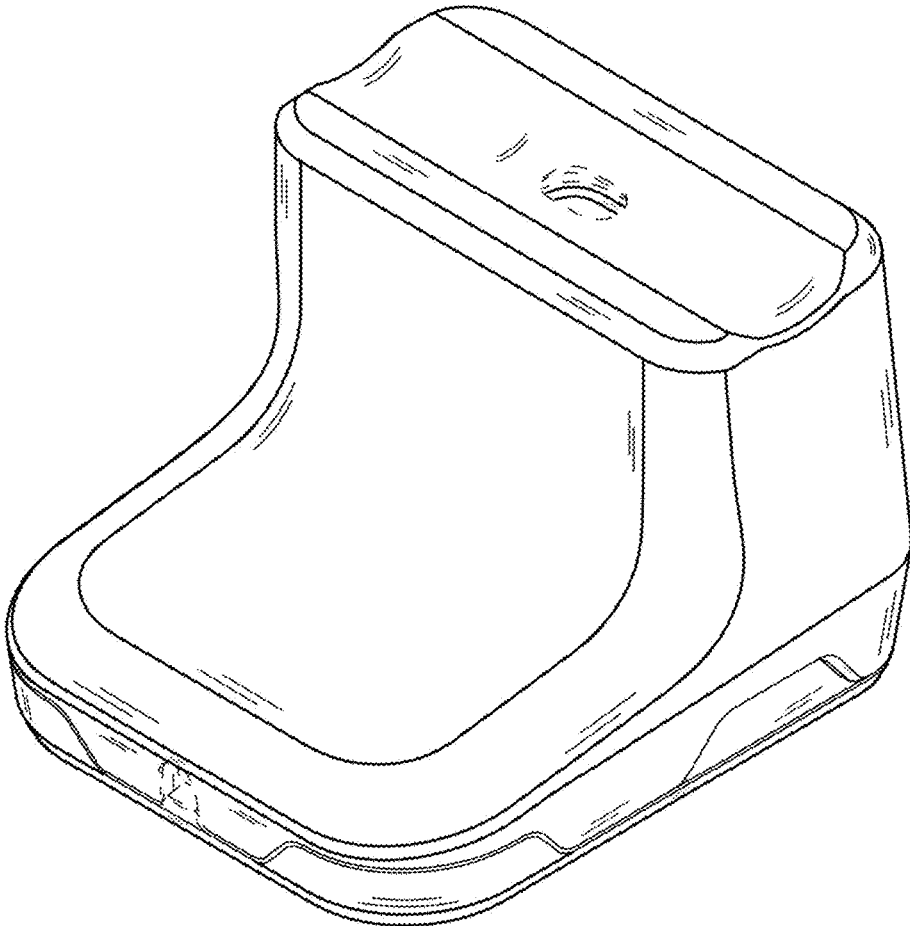


FIG. 3

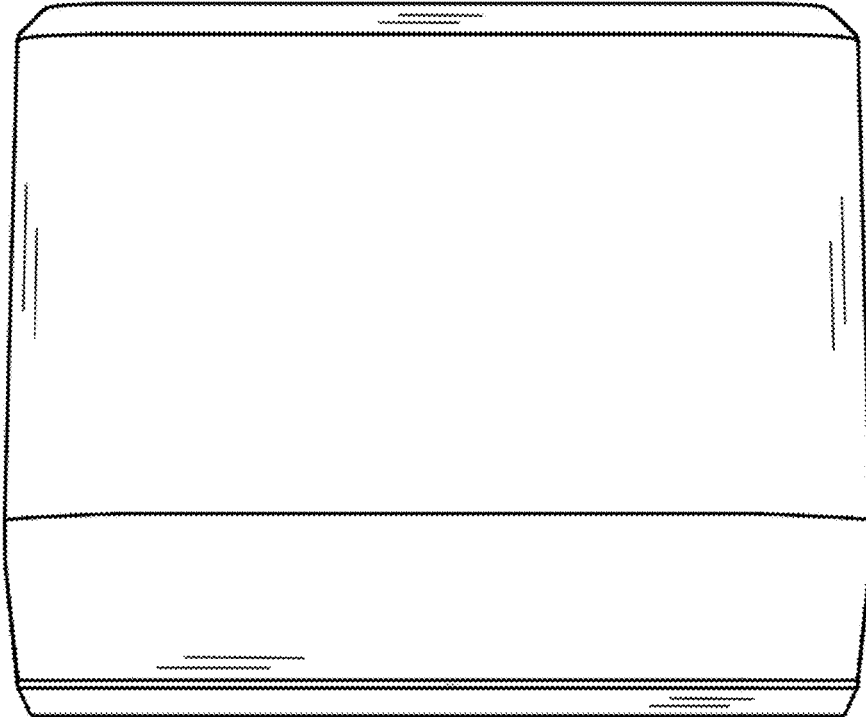


FIG. 4

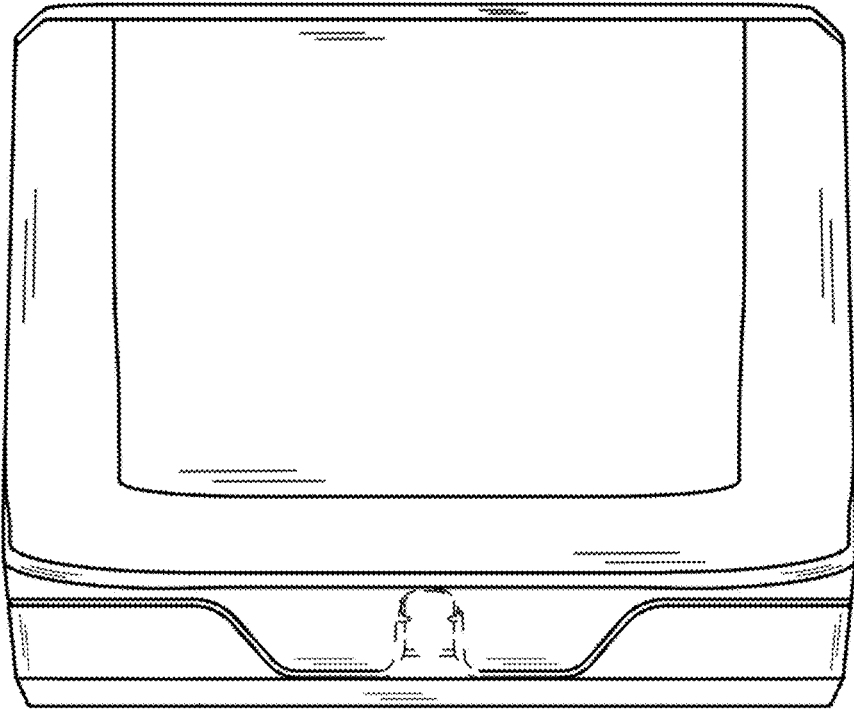


FIG. 5

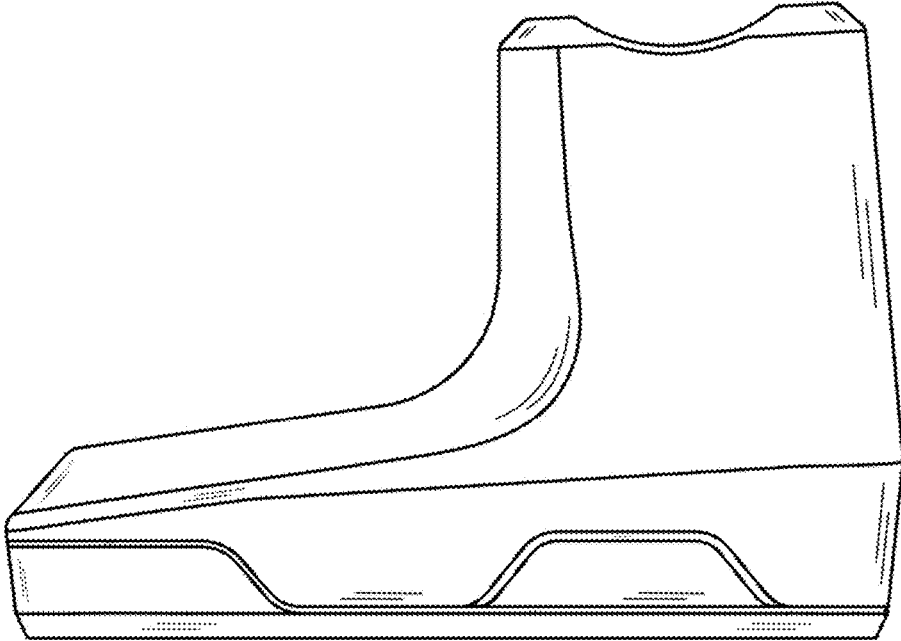


FIG. 6

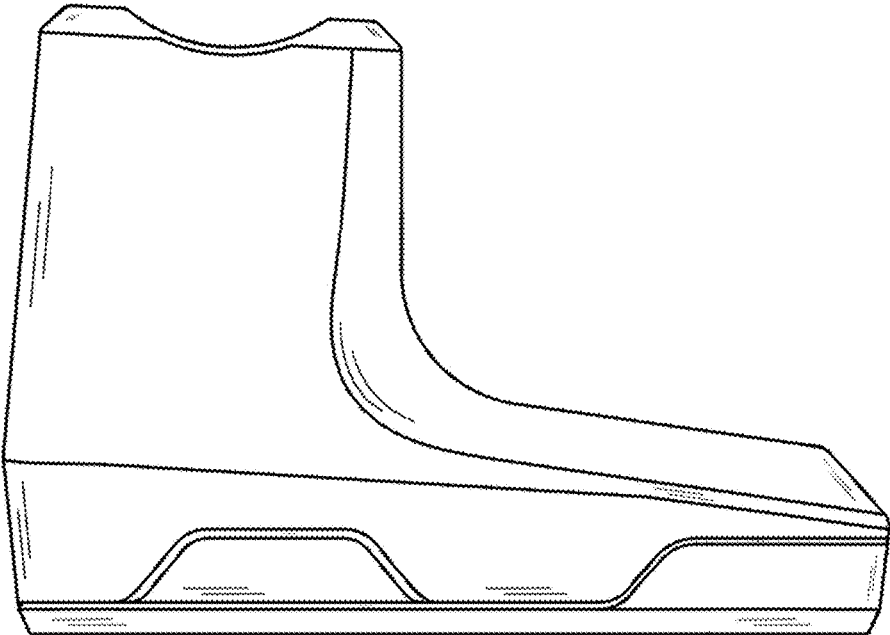


FIG. 7

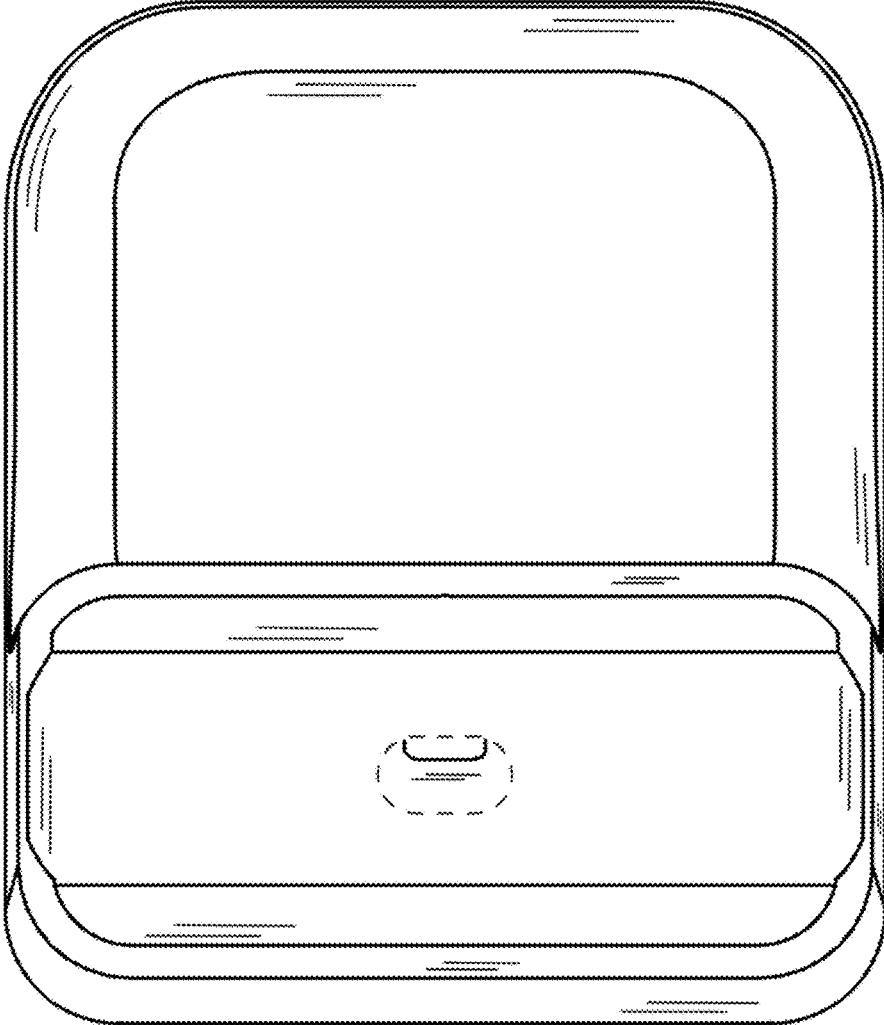


FIG. 8

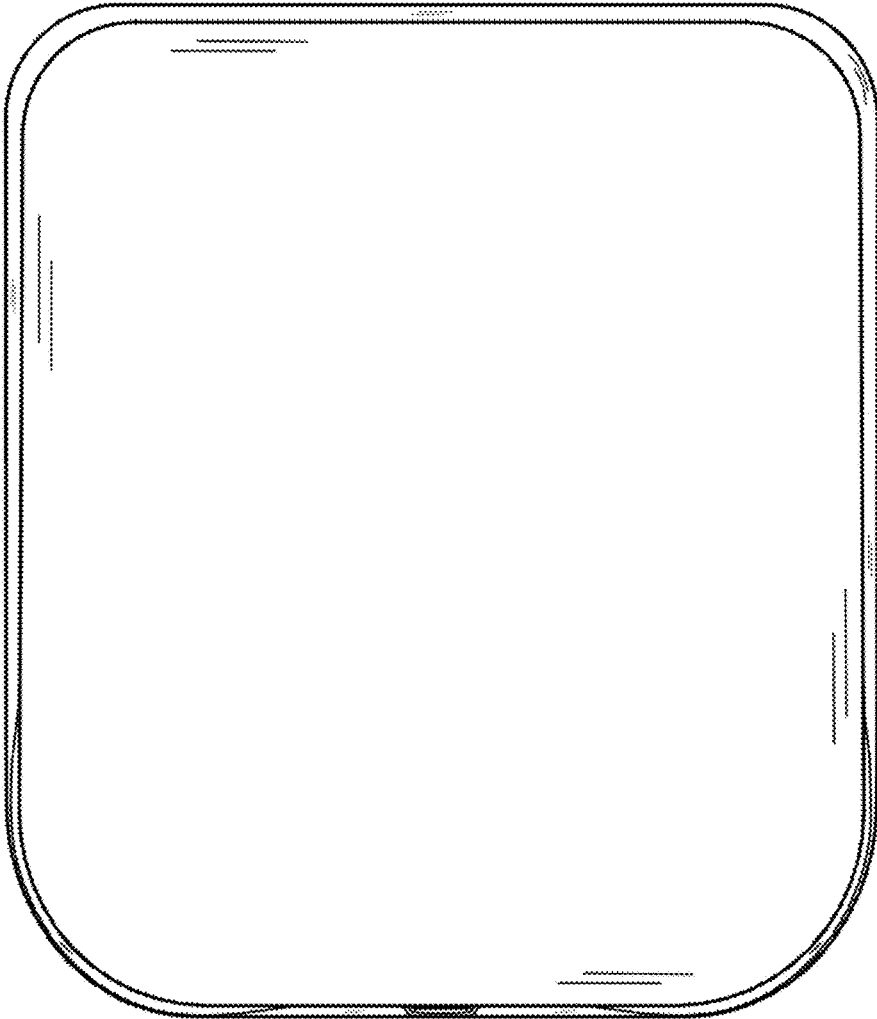


FIG. 9

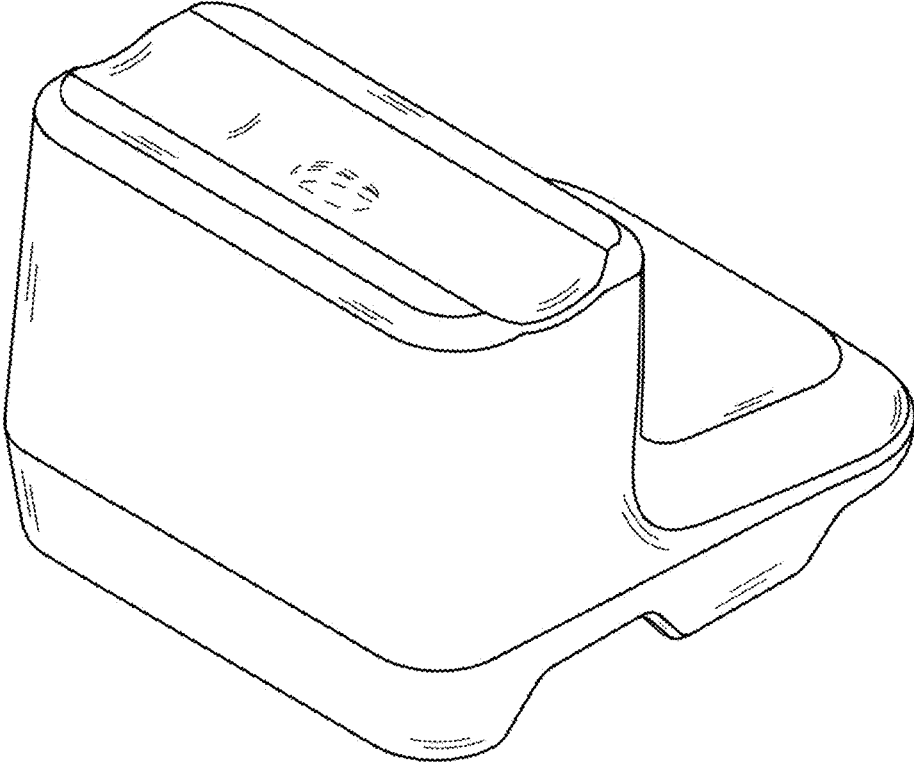


FIG. 10

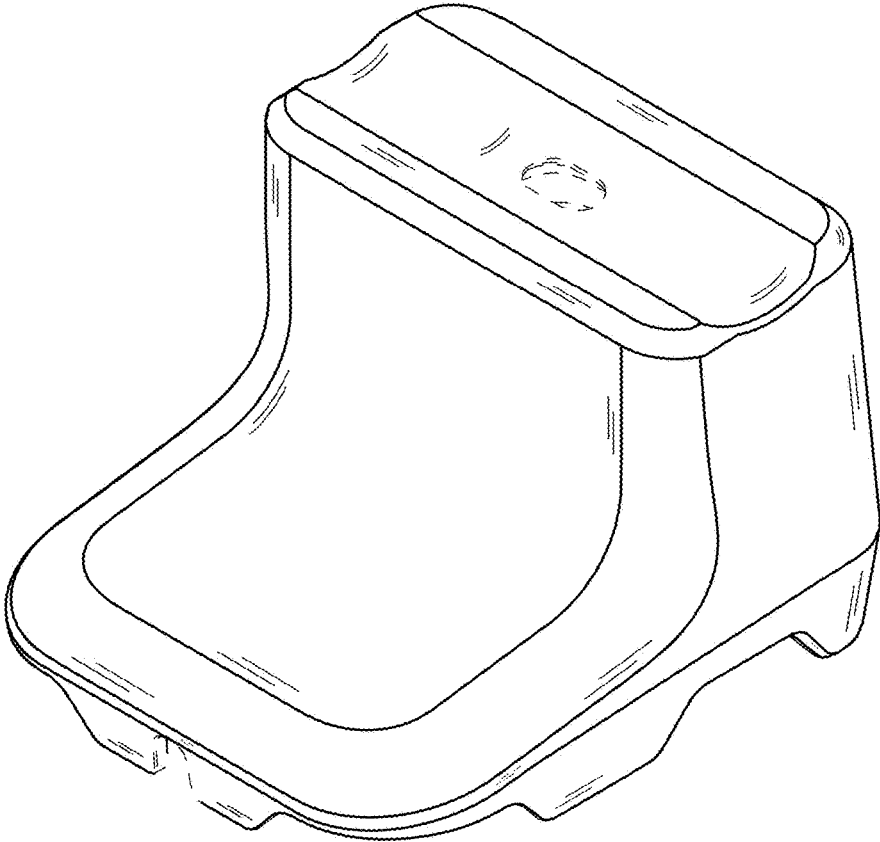


FIG. 11

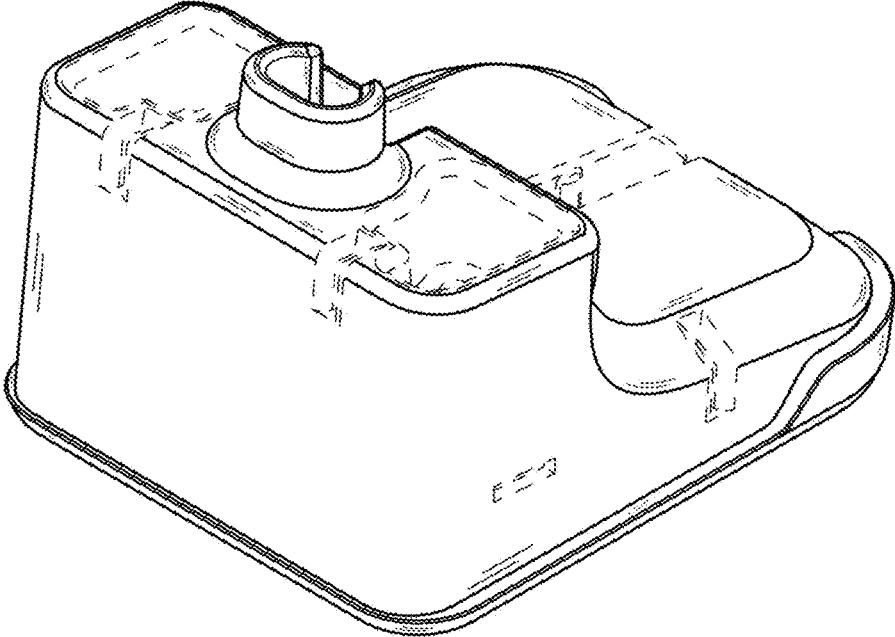


FIG. 12

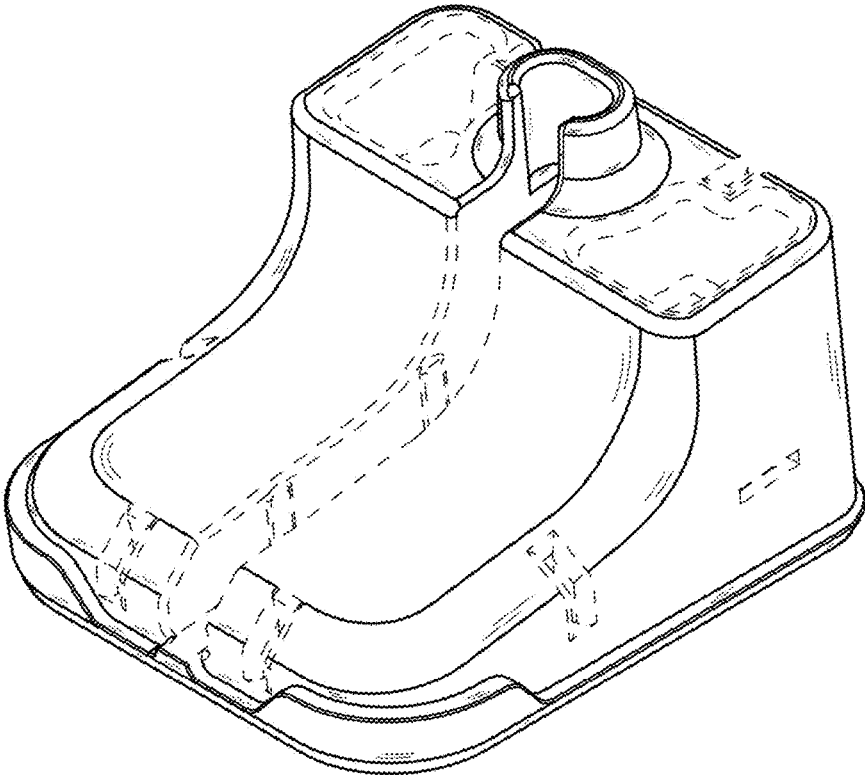


FIG. 13

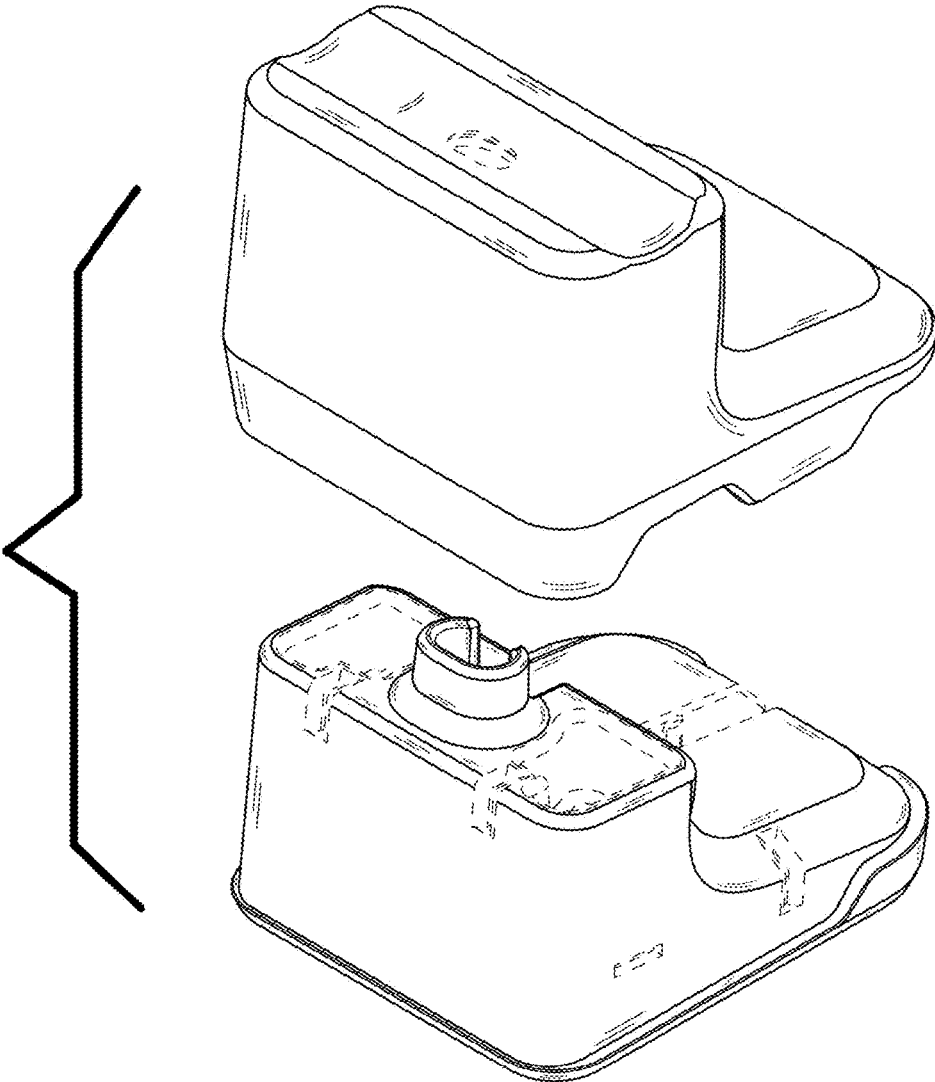


FIG. 14

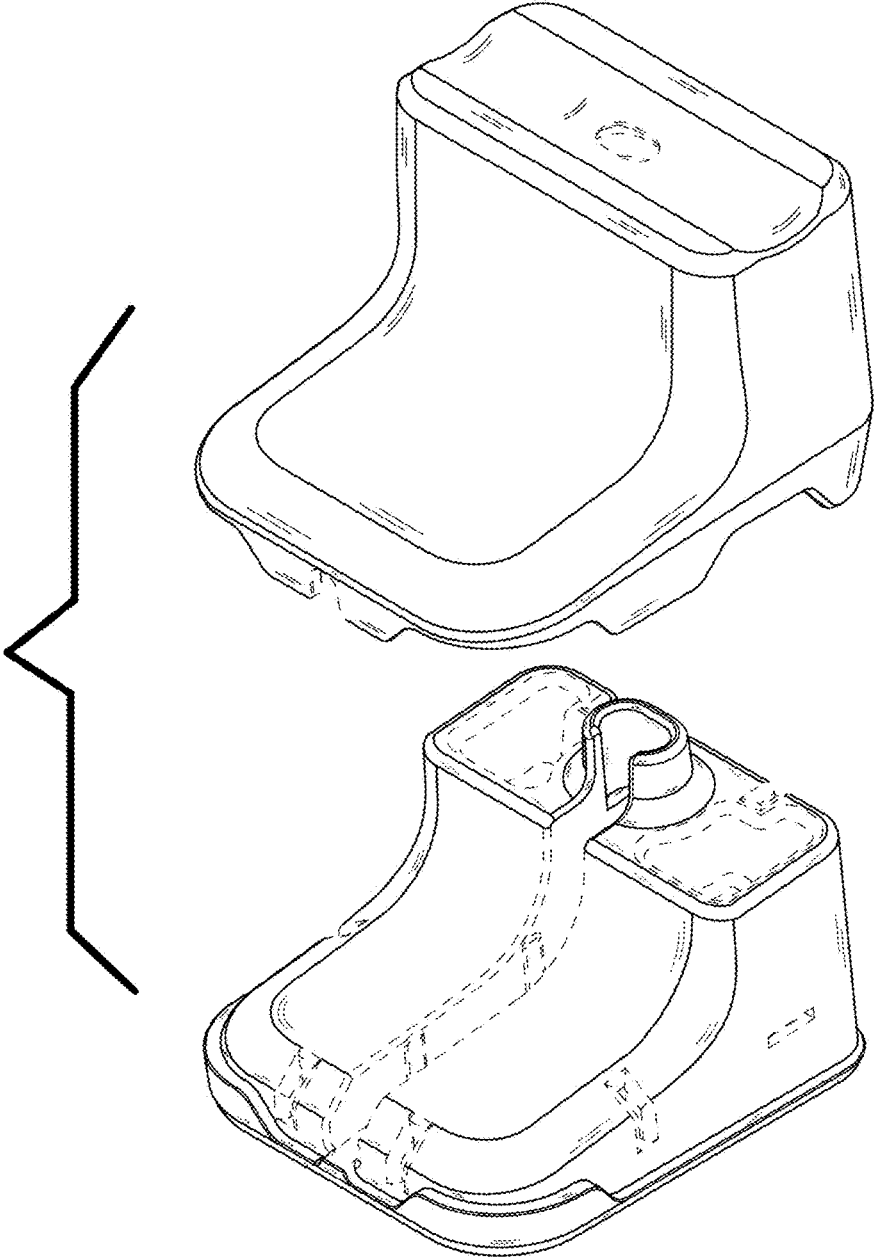


FIG. 15

