



US00D818092S

(12) **United States Design Patent**
Richter

(10) **Patent No.:** **US D818,092 S**

(45) **Date of Patent:** **** May 15, 2018**

(54) **TOILET SEAT COVER**
(71) Applicant: **DURAVIT**
AKTIENGESELLSCHAFT, Hornberg
(DE)
(72) Inventor: **Frank Richter, Hornberg (DE)**
(**) Term: **15 Years**
(21) Appl. No.: **35/500,057**
(22) Filed: **Jun. 24, 2015**
(80) **Hague Agreement Data**
Int. Filing Date: **Jun. 24, 2015**
Int. Reg. No.: **DM/086881**
Int. Reg. Date: **Jun. 24, 2015**
Int. Reg. Pub. Date: **Jul. 17, 2015**

D332,830 S * 1/1993 Gerlach D23/311
D485,337 S * 1/2004 Tani D23/311
D508,733 S * 8/2005 Peng D23/311
D508,986 S * 8/2005 Peng D23/311
D532,496 S * 11/2006 Bates D23/311
D561,316 S * 2/2008 Ollgaard D23/311
D571,443 S * 6/2008 Peng D23/311
D593,655 S * 6/2009 De Lay D23/311
D617,884 S * 6/2010 Choi D23/311
D618,325 S * 6/2010 Deng D23/311
D622,367 S * 8/2010 Takahashi D23/311
D622,368 S * 8/2010 Takahashi D23/311
D622,369 S * 8/2010 Takahashi D23/311
D675,301 S * 1/2013 Collignon D23/311
D704,317 S * 5/2014 Shinozaki D23/311
D747,449 S * 1/2016 Inomoto D23/311

* cited by examiner

Primary Examiner — Keli L Hill

(30) **Foreign Application Priority Data**

Feb. 3, 2015 (WO) DM/086379

(51) **LOC (11) Cl.** **23-02**

(52) **U.S. Cl.**
USPC **D23/311**

(58) **Field of Classification Search**
USPC D23/295, 296, 299, 303, 309-311;
D6/611
CPC A47K 13/00; A47K 13/06; A47K 13/24;
A47K 13/28; A47K 13/005
See application file for complete search history.

(56) **References Cited**

U.S. PATENT DOCUMENTS

D288,592 S * 3/1987 Stairs, Jr. D23/311
D292,432 S * 10/1987 Rasmussen D23/311

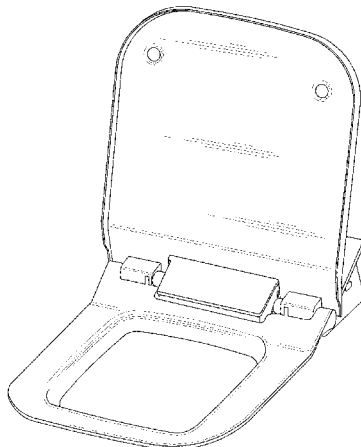
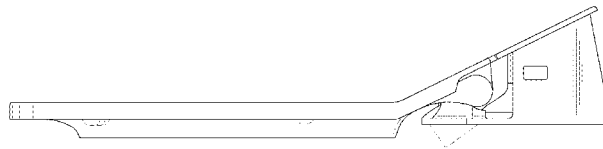
(57) **CLAIM**

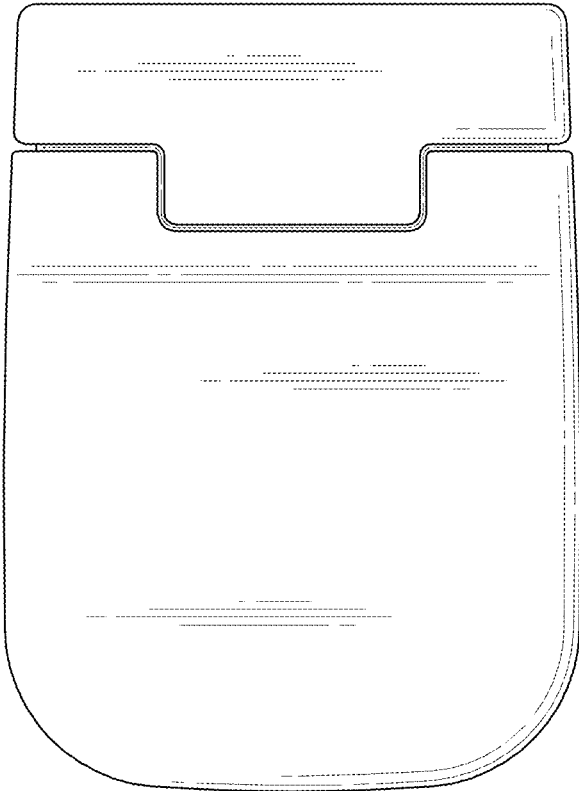
The ornamental design for a toilet seat cover, as shown and described.

DESCRIPTION

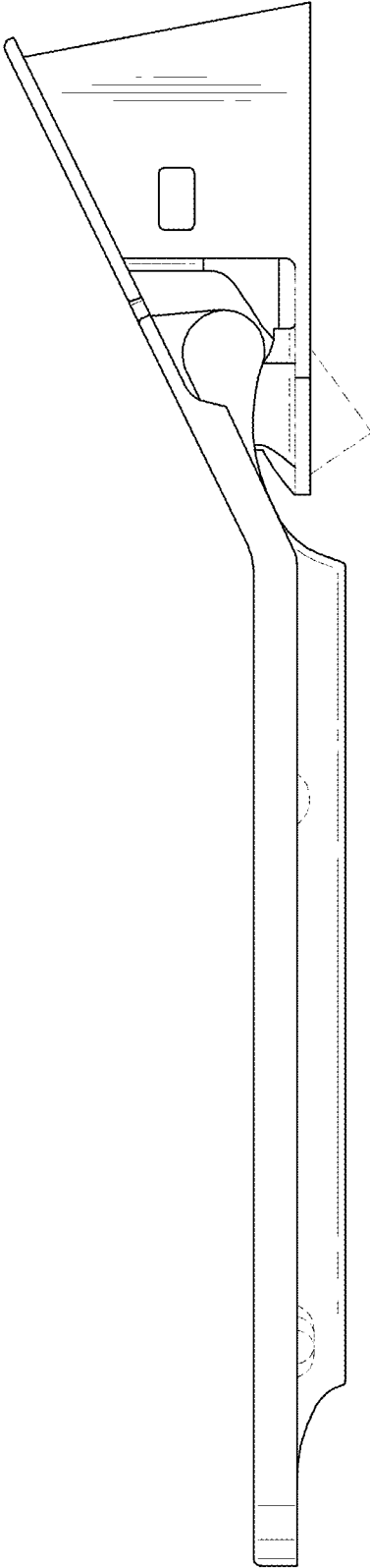
1. Toilet seat cover
1.1 is a top plan view.
1.2 is a left side elevation view.
1.3 is a top and side perspective view, shown in an open position.
1.4 is a rear elevation view.
1.5 is right side elevation view.
1.6 is a bottom plan view.
1.7 is a top and side perspective view, shown in a closed position.
The broken lines in the drawings represent unclaimed features.

1 Claim, 7 Drawing Sheets

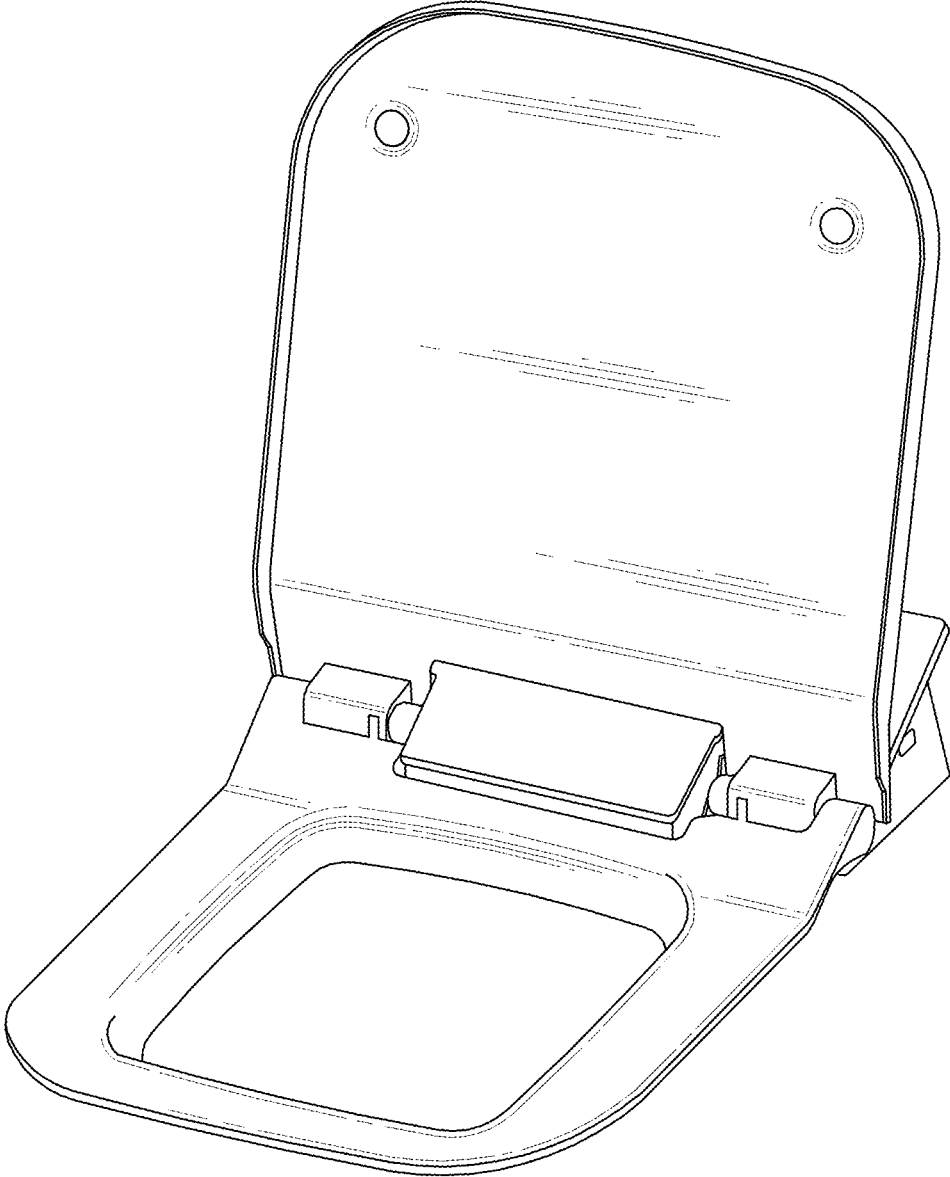




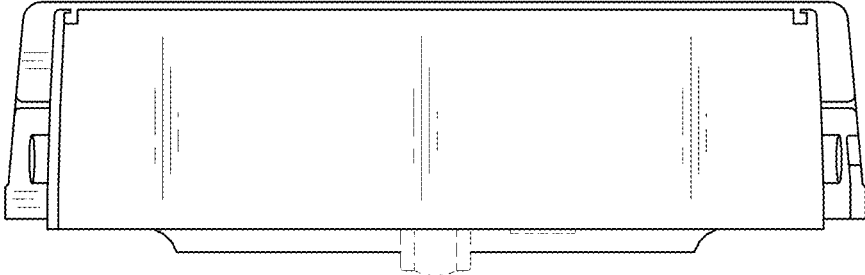
1.1



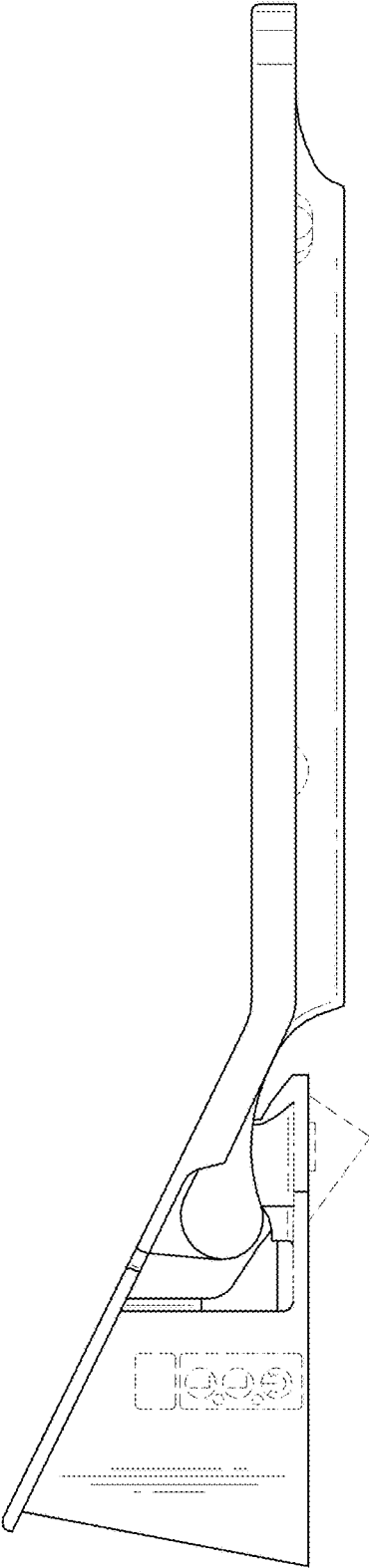
1.2



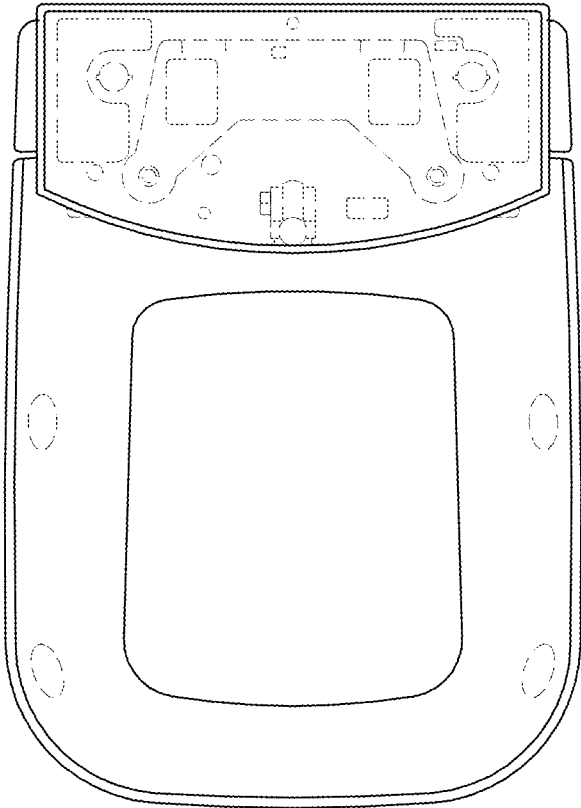
1.3



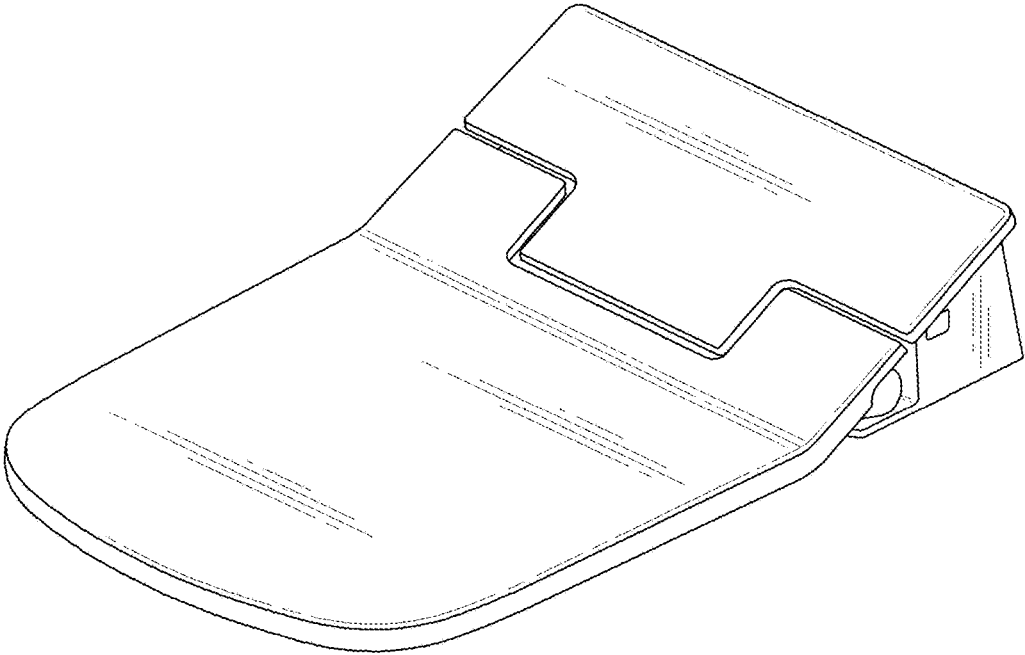
1.4



1.5



1.6



1.7