



US00D572273S

(12) **United States Design Patent**  
**Carpenter et al.**

(10) **Patent No.:** **US D572,273 S**

(45) **Date of Patent:** **\*\* Jul. 1, 2008**

(54) **PAINT SPRAY PUMP HOUSING**

(75) Inventors: **Scott R. Carpenter**, Rogers, MN (US);  
**Shawn C. Johnson**, Milaca, MN (US);  
**Eric C. Lagman**, Anderson, SC (US);  
**Thomas E. KraMer**, Coon Rapids, MN (US)

(73) Assignee: **Titan Tool, Inc.**, Oakland, NJ (US)

(\*\*) Term: **14 Years**

(21) Appl. No.: **29/296,395**

(22) Filed: **Oct. 19, 2007**

(51) **LOC (8) Cl.** ..... **15-02**

(52) **U.S. Cl.** ..... **D15/7**

(58) **Field of Classification Search** ..... D15/7-9;  
D23/231, 232, 225; 417/410.1, 359, 415-416,  
417/234, 321, 265, 405

See application file for complete search history.

(56) **References Cited**

**U.S. PATENT DOCUMENTS**

D295,181 S \* 4/1988 Vitaloni ..... D15/9  
D327,891 S \* 7/1992 Morgan ..... D15/9

D476,996 S \* 7/2003 Amit et al. .... D15/7  
D512,442 S \* 12/2005 Moser, III ..... D15/9  
D518,068 S \* 3/2006 Rodopoulos ..... D15/7  
D548,751 S \* 8/2007 Snider ..... D15/7  
D557,708 S \* 12/2007 Carpenter et al. .... D15/7

\* cited by examiner

*Primary Examiner*—R. Seifert

(74) *Attorney, Agent, or Firm*—Faegre & Benson LLP

(57) **CLAIM**

The ornamental design for a paint spray pump housing, as shown.

**DESCRIPTION**

FIG. 1 is a perspective view of a paint spray pump housing of the present invention.

FIG. 2 is right hand side view of the present invention.

FIG. 3 is a left hand side view of the present invention.

FIG. 4 is a front view of the present invention.

FIG. 5 is a rear view of the present invention.

FIG. 6 is a top view of the present invention; and,

FIG. 7 is a bottom view of the present invention.

**1 Claim, 7 Drawing Sheets**

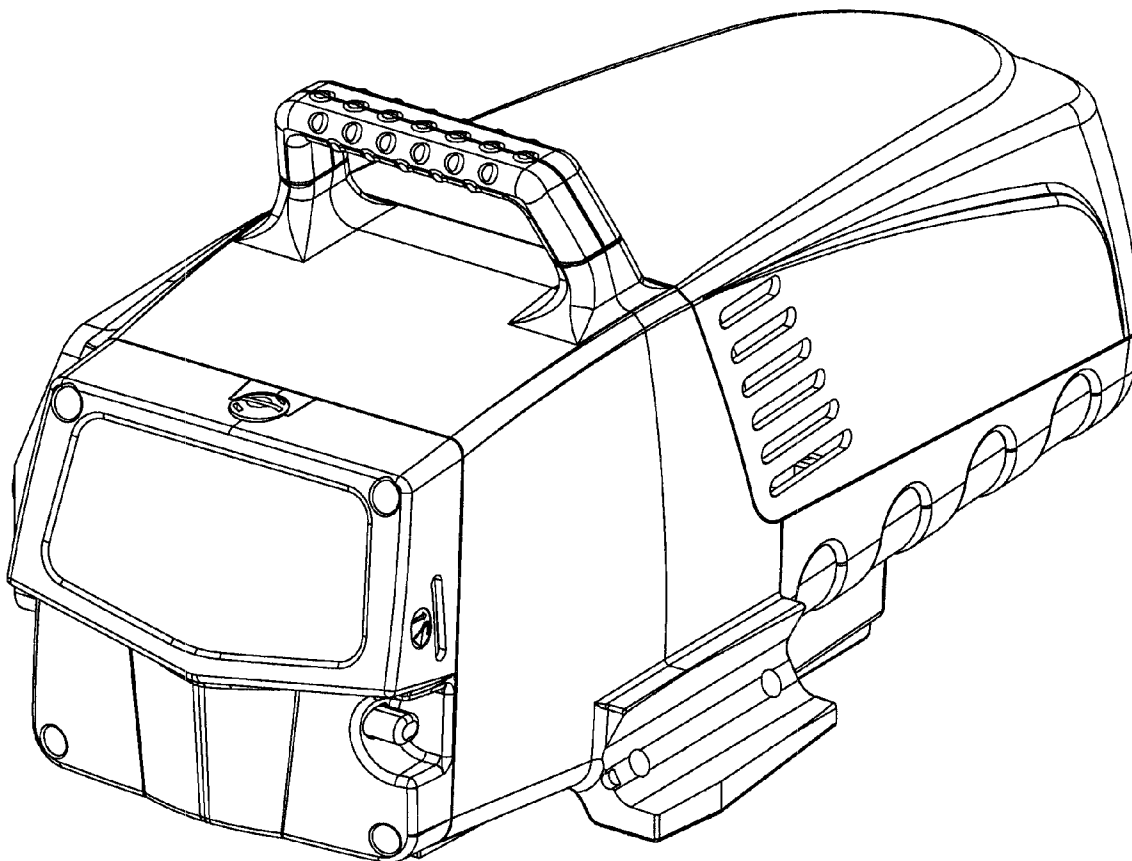


FIG. 1

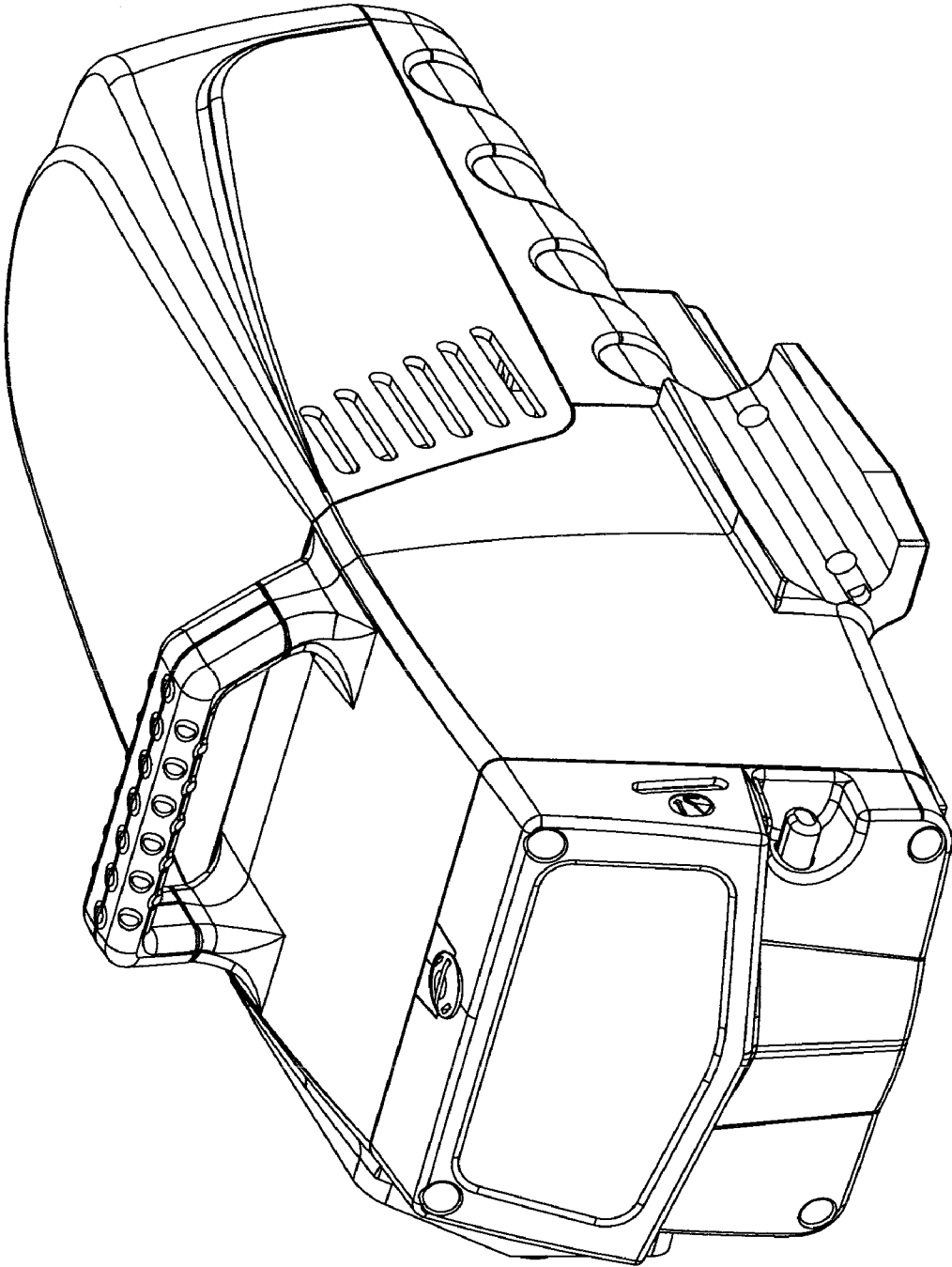


FIG. 2

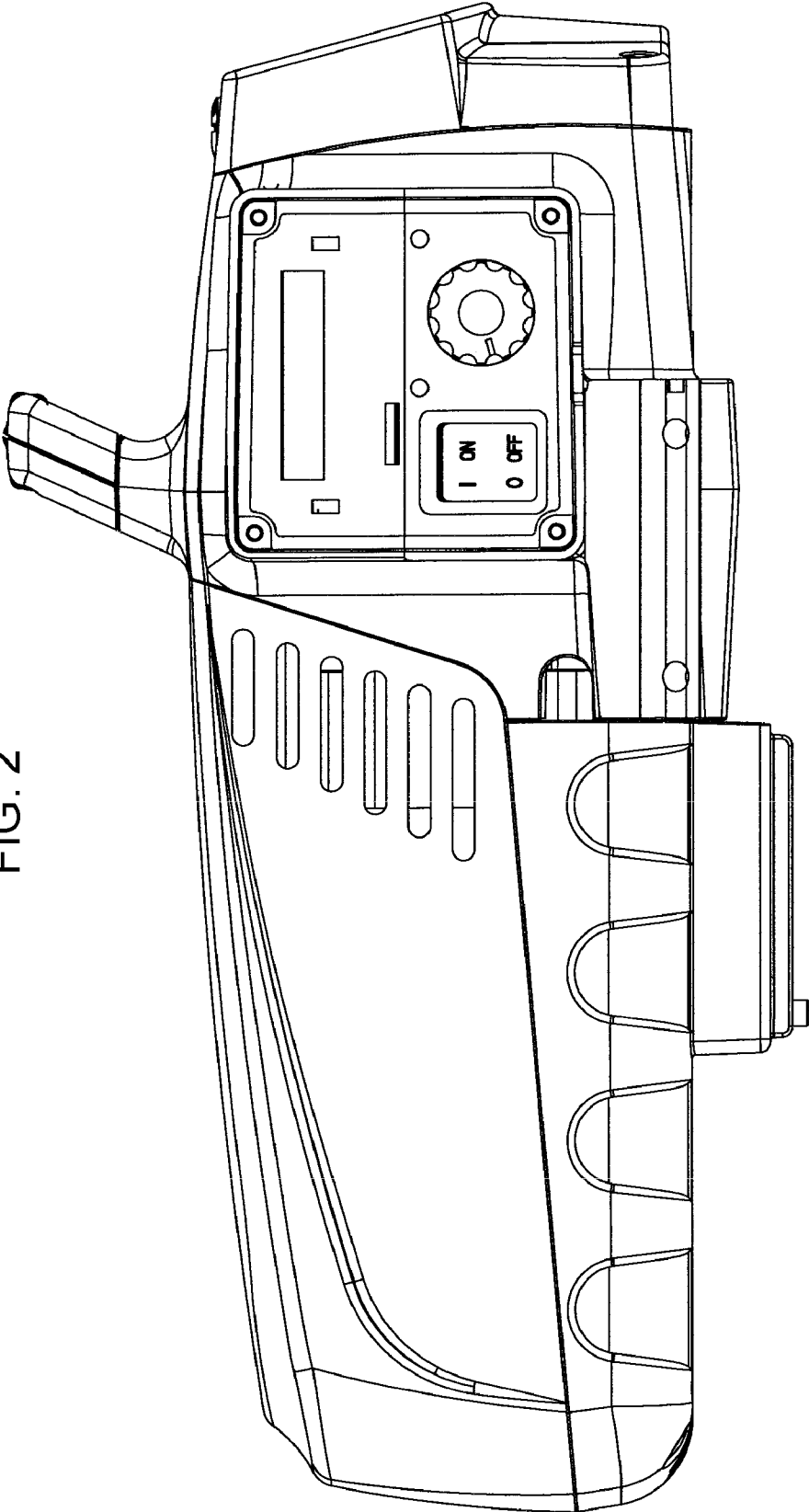


FIG. 3

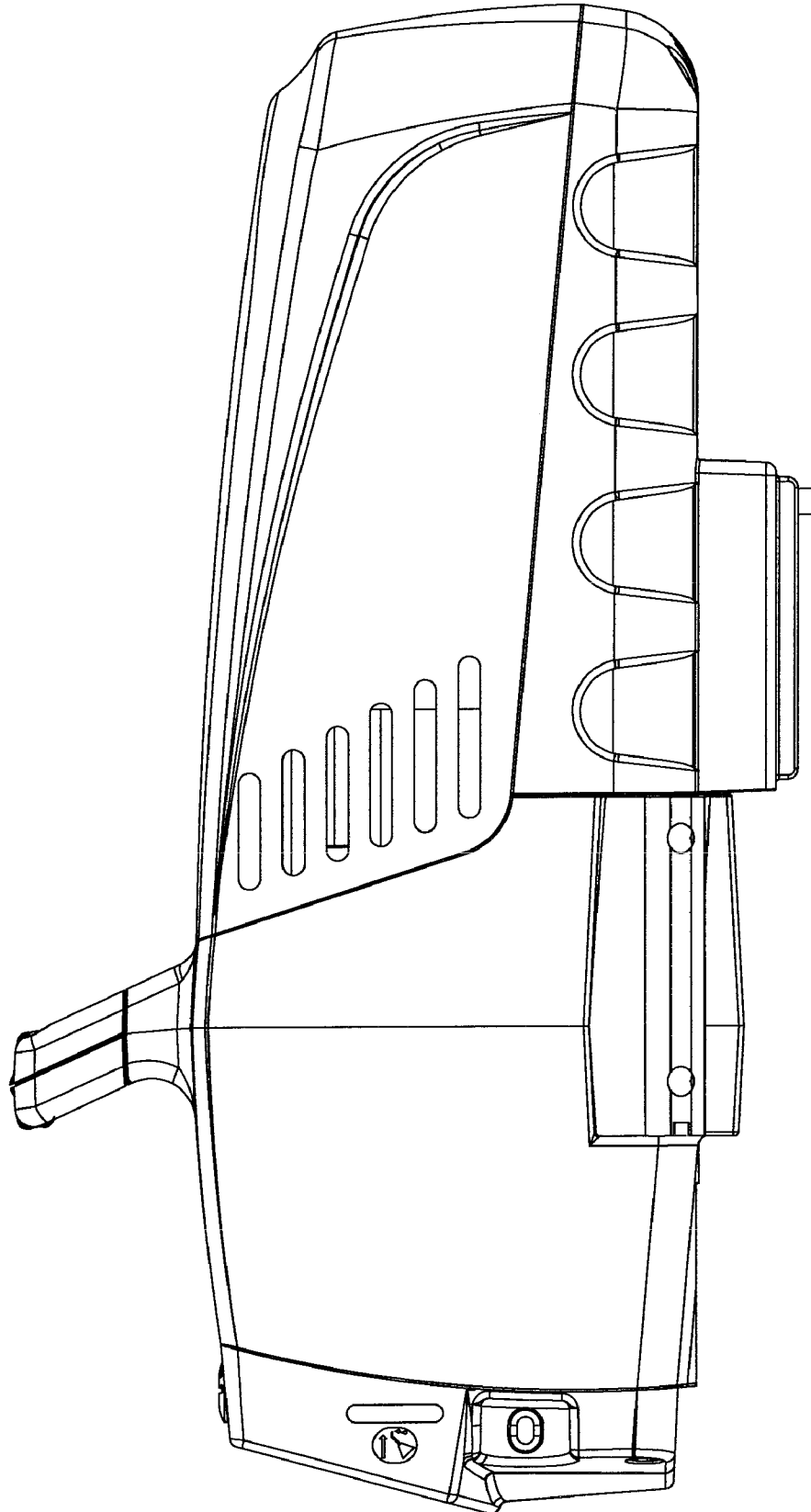


FIG. 4

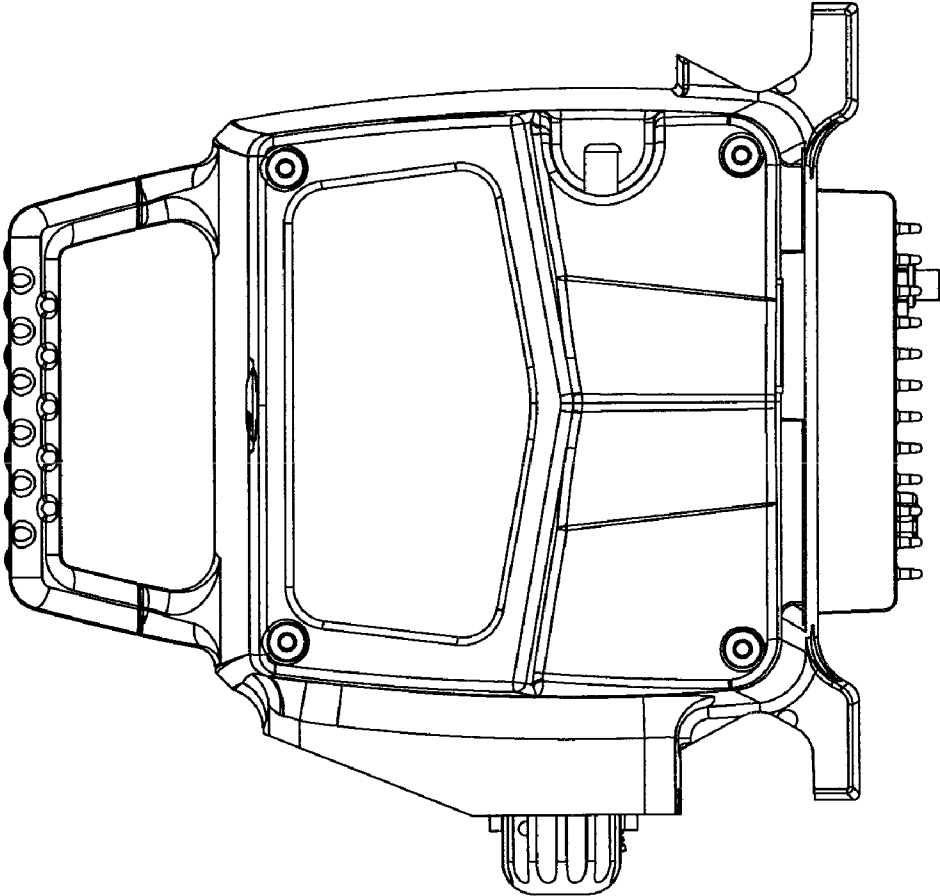
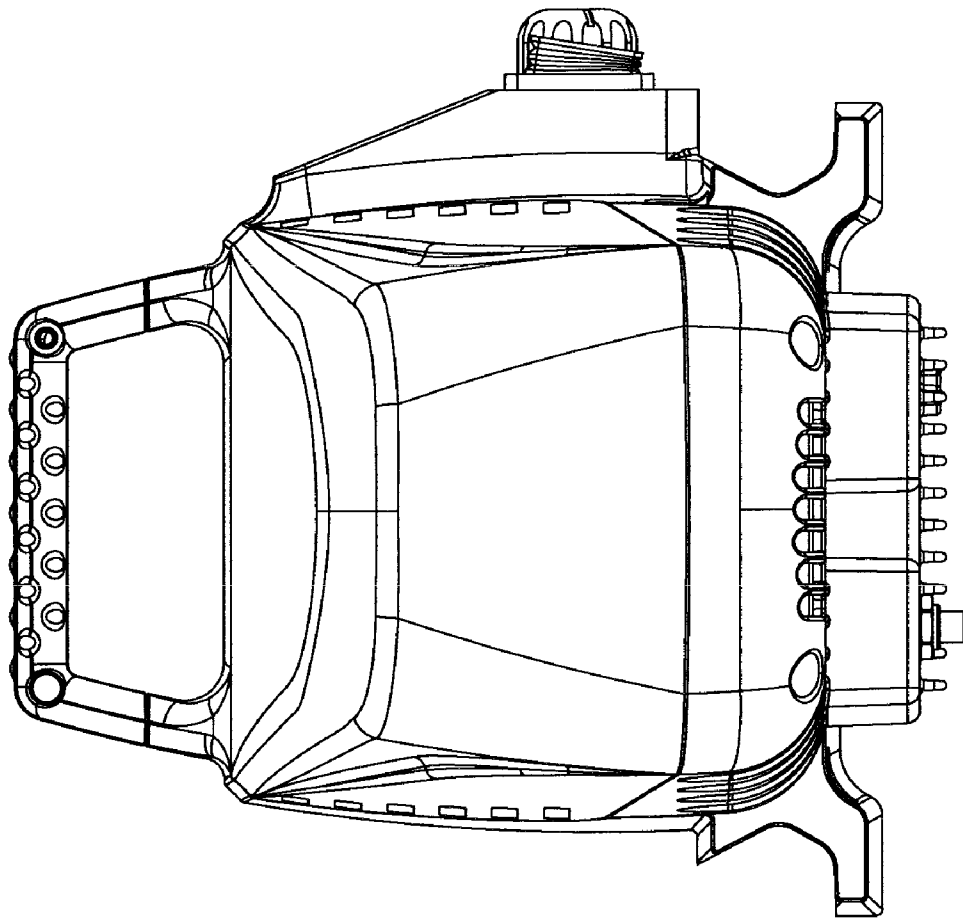


FIG. 5



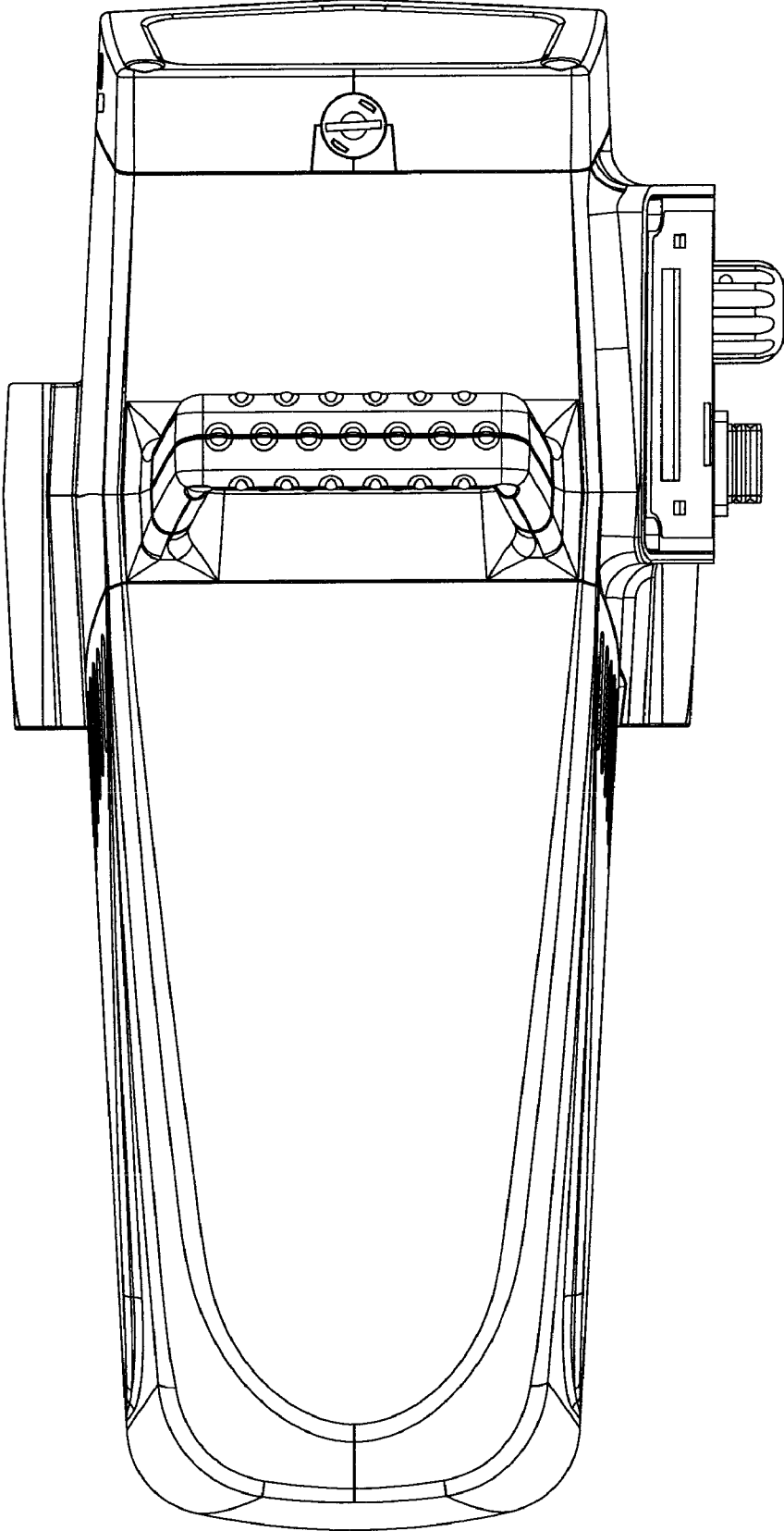


FIG. 6

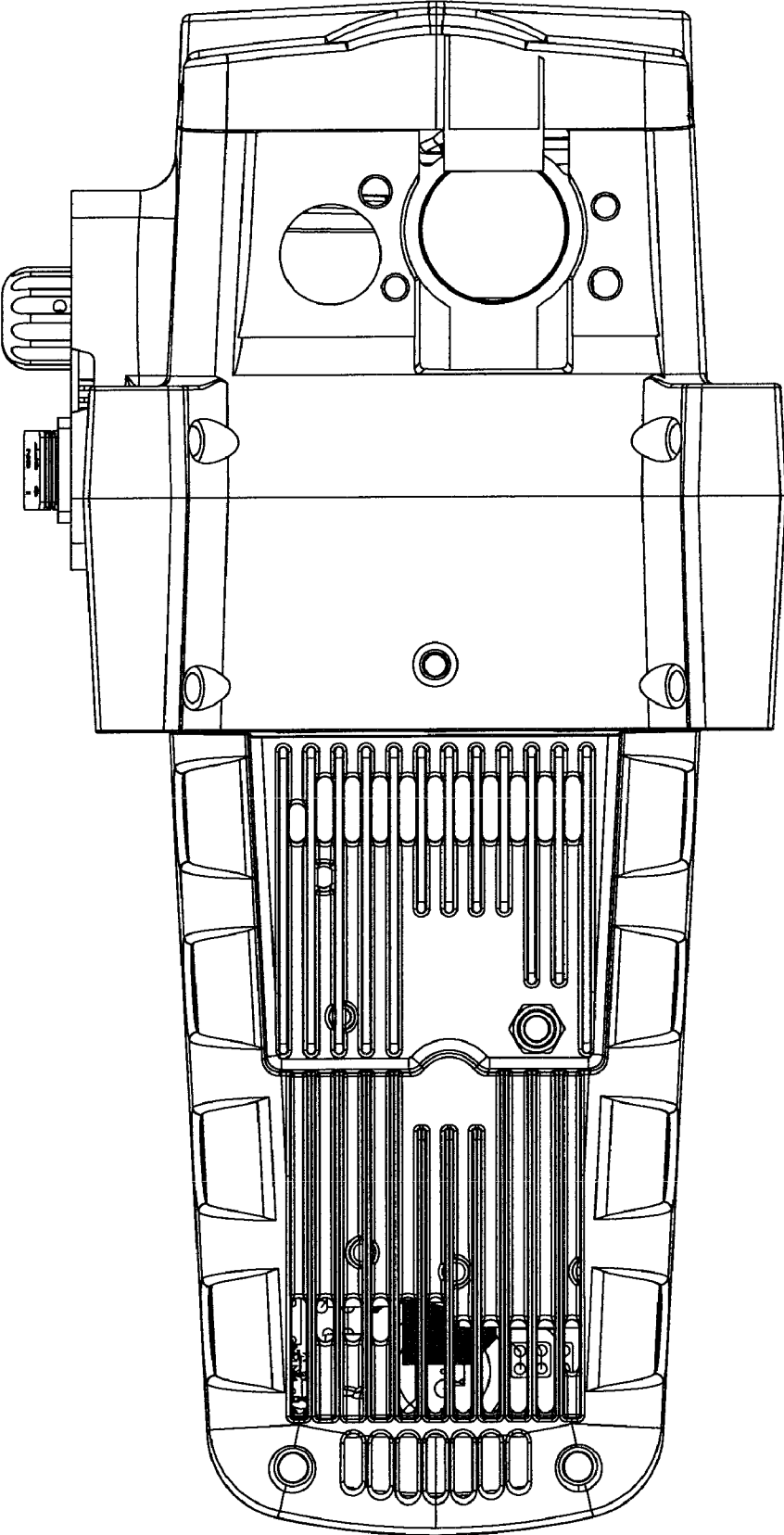


FIG. 7