



US00D770226S

(12) **United States Design Patent** (10) **Patent No.:** **US D770,226 S**
McConnell et al. (45) **Date of Patent:** **** Nov. 1, 2016**

(54) **BLENDER**
(71) Applicant: **Whirlpool Corporation**, Benton Harbor, MI (US)
(72) Inventors: **John W. McConnell**, St. Joseph, MI (US); **Brandon T. Mock**, St. Joseph, MI (US); **ZhaoYi Yin**, Benton Harbor, MI (US)
(73) Assignee: **Whirlpool Corporation**, Benton Harbor, MI (US)

D181,541 S * 11/1957 Madl D7/378
D187,684 S * 4/1960 Hauser D7/378
D200,494 S * 3/1965 Bezark D7/378
5,323,973 A 6/1994 Ferrara, Jr.
5,655,834 A 8/1997 Dickson
5,957,577 A 9/1999 Dickson et al.
D424,865 S 5/2000 Crescenzi et al.
D484,357 S * 12/2003 Seum D7/378
7,520,663 B1 4/2009 Kolar et al.
D594,697 S * 6/2009 Lavy D7/386
D595,087 S 6/2009 Metaxatos et al.

(Continued)

(**) Term: **14 Years**

FOREIGN PATENT DOCUMENTS

(21) Appl. No.: **29/519,333**

WO 2005051149 6/2005

(22) Filed: **Mar. 4, 2015**

Primary Examiner — Ricky Pham

(51) **LOC (10) Cl.** **31-00**

(52) **U.S. Cl.**
USPC **D7/412; D7/376; D7/378; D7/386; D7/413**

(57) **CLAIM**
We claim the ornamental design for a blender, as shown and described.

(58) **Field of Classification Search**
USPC D7/372, 376–386, 412–413, 602, 629, D7/665–666, 669, 679, 693–694
CPC A21C 1/02; A21C 1/04; A23N 1/00; A23N 1/02; A47J 43/04; A47J 43/25; A47J 43/27; A47J 43/042; A47J 43/044; A47J 43/046; A47J 43/075; A47J 43/0722; A47J 43/0727; B01F 3/00; B01F 3/0807; B01F 3/0853; B01F 13/0059; B01F 13/0064; B02C 1/08; B02C 2/04; B02C 4/42; B02C 4/142; B02C 4/143; B02C 4/423; B02C 13/1835; B28C 5/10; B28C 5/12; B28C 5/14; B28C 5/16

DESCRIPTION

FIG. 1 is a front perspective view of the blender of the present invention;
FIG. 2 is a rear perspective view of the blender of FIG. 1;
FIG. 3 is a front elevation view of the blender of FIG. 1;
FIG. 4 is a rear elevation view of the blender of FIG. 1;
FIG. 5 is a first-side elevation view of the blender of FIG. 1;
FIG. 6 is a second-side elevation view of the blender of FIG. 1;
FIG. 7 is a top plan view of the blender of FIG. 1; and
FIG. 8 is a bottom plan view of the blender of FIG. 1.
The broken lines shown in the drawings are for illustrative purposes only and form no part of the claimed design.

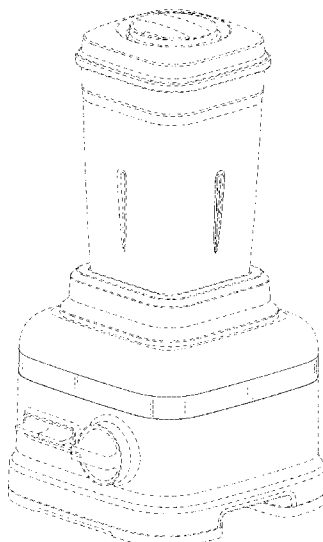
See application file for complete search history.

(56) **References Cited**

U.S. PATENT DOCUMENTS

2,304,476 A 12/1942 Poplawski
D176,257 S * 12/1955 Hill D7/378

1 Claim, 7 Drawing Sheets



(56)

References Cited

U.S. PATENT DOCUMENTS

D616,244	S *	5/2010	Thai	D7/378	8,287,180	B2	10/2012	Kolar et al.	
7,712,951	B2	5/2010	Bohannon, Jr. et al.		8,360,480	B2	1/2013	Athey et al.	
D631,282	S *	1/2011	Ferraby	D7/384	D711,682	S *	8/2014	Norland	D7/376
7,871,195	B2	1/2011	Larsen et al.		D731,234	S *	6/2015	Weaden	D7/376
D642,858	S *	8/2011	Lazzer	D7/376	D747,135	S *	1/2016	Ha	D7/376
8,087,603	B2	1/2012	Kolar et al.		D755,004	S *	5/2016	Bock	D7/376
					2005/0152215	A1	7/2005	Stuart et al.	
					2008/0089170	A1	4/2008	Larsen et al.	
					2009/0260523	A1	10/2009	Peng	

* cited by examiner

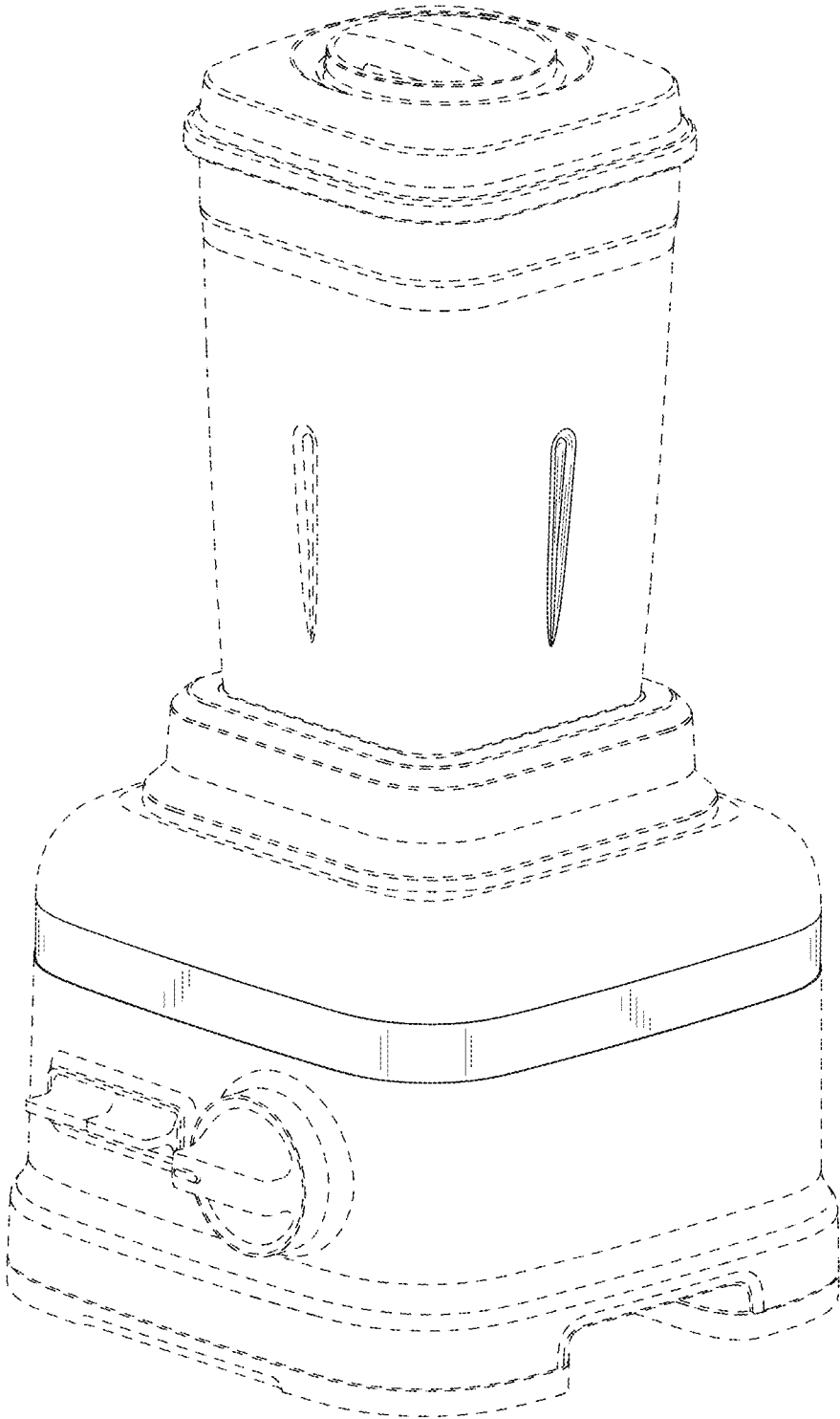


FIG. 1

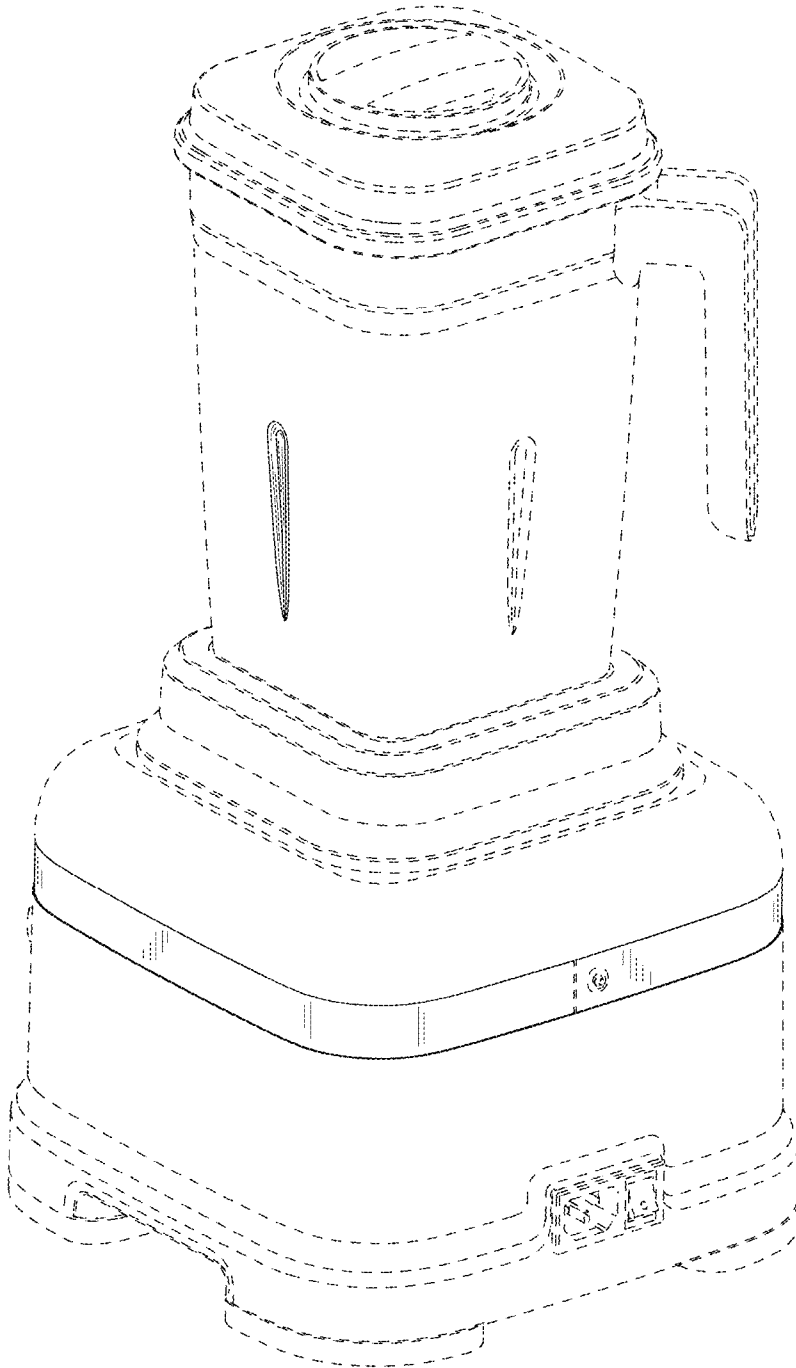


FIG. 2

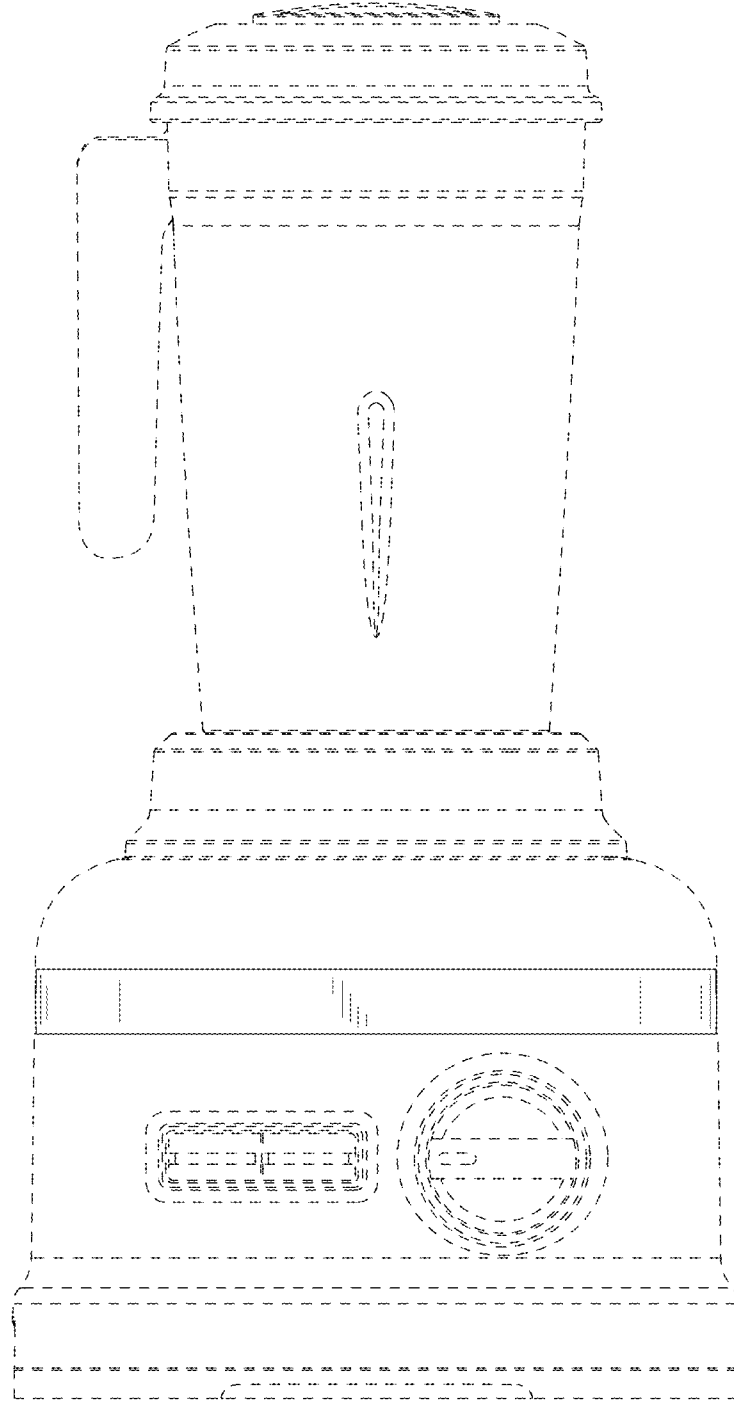


FIG. 3

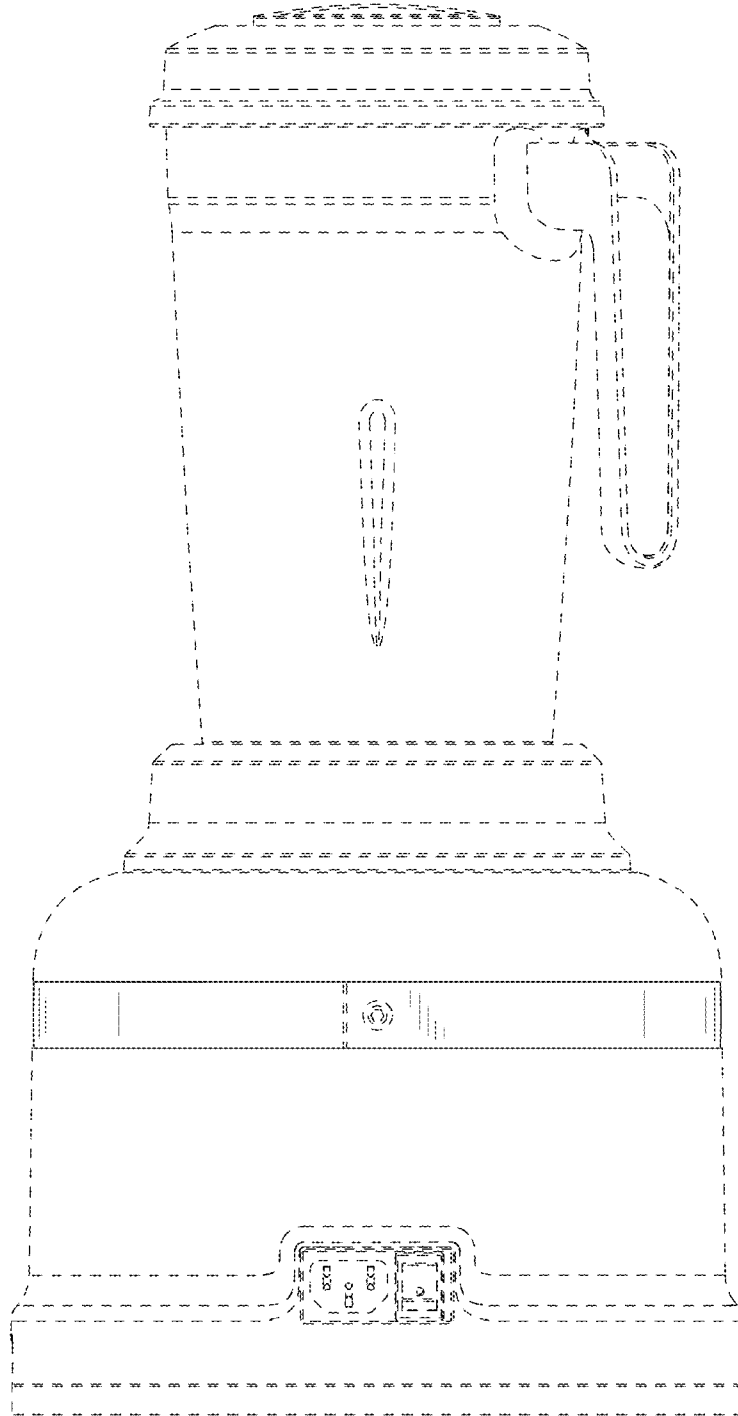


FIG. 4

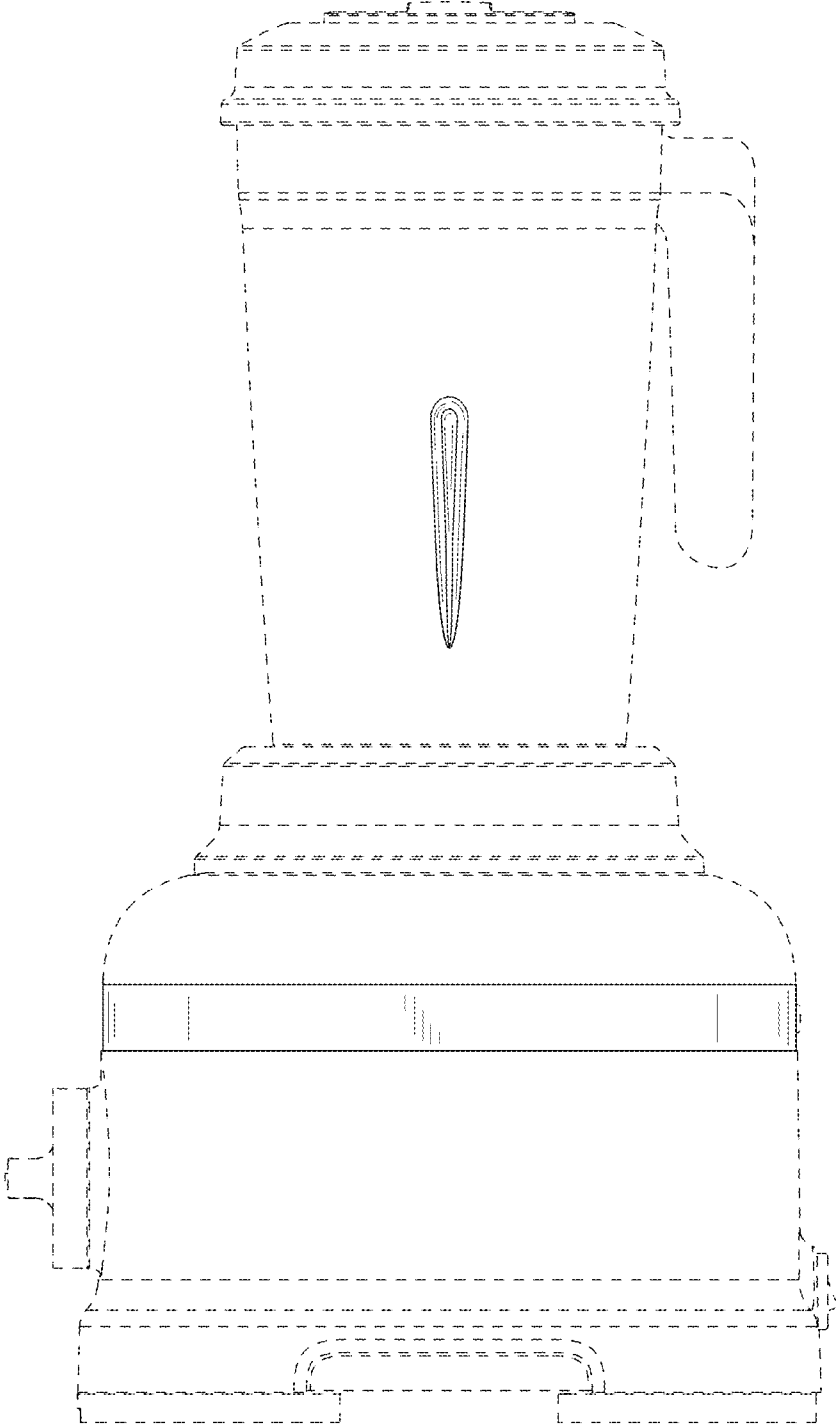


FIG. 5

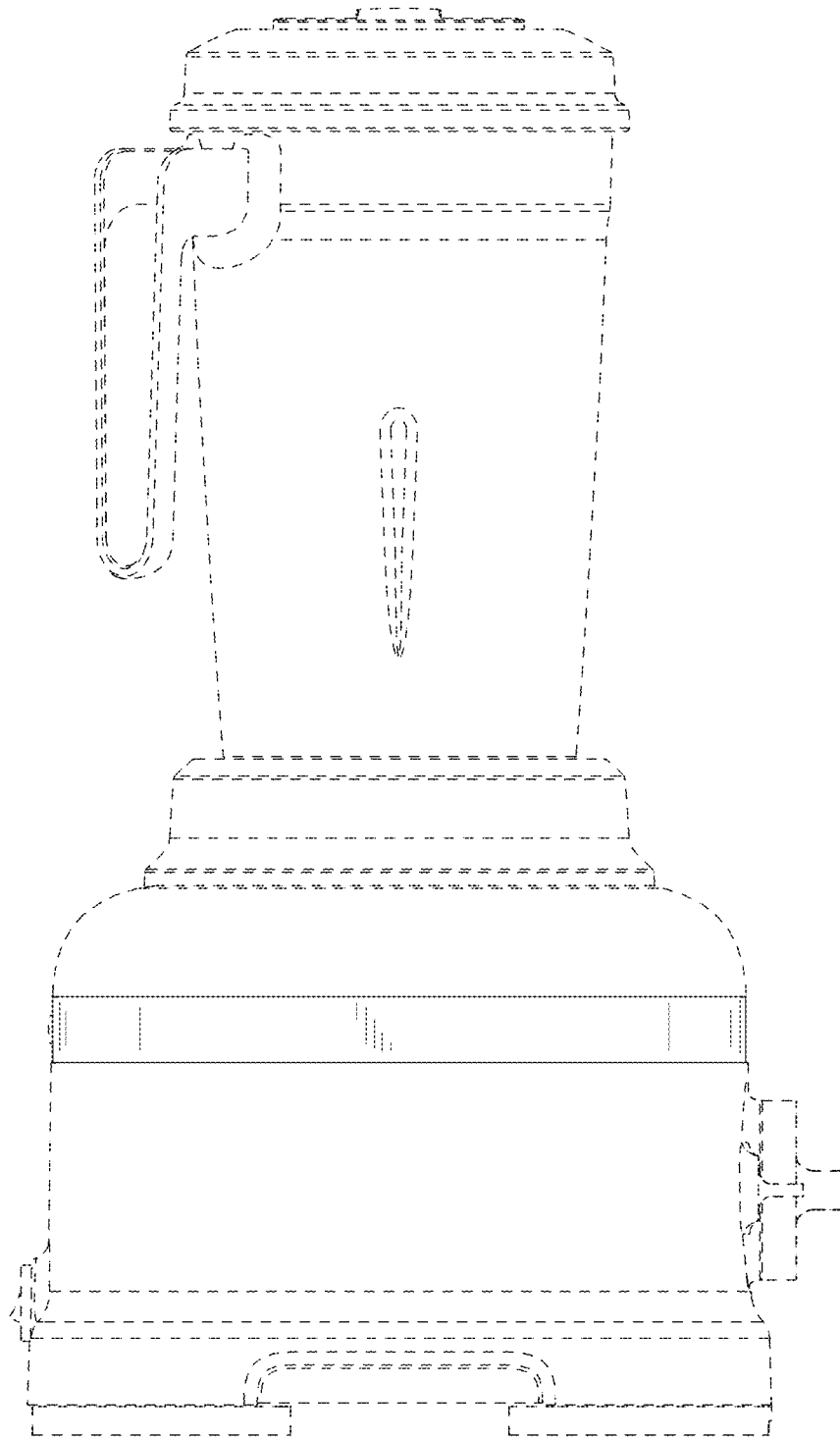


FIG. 6

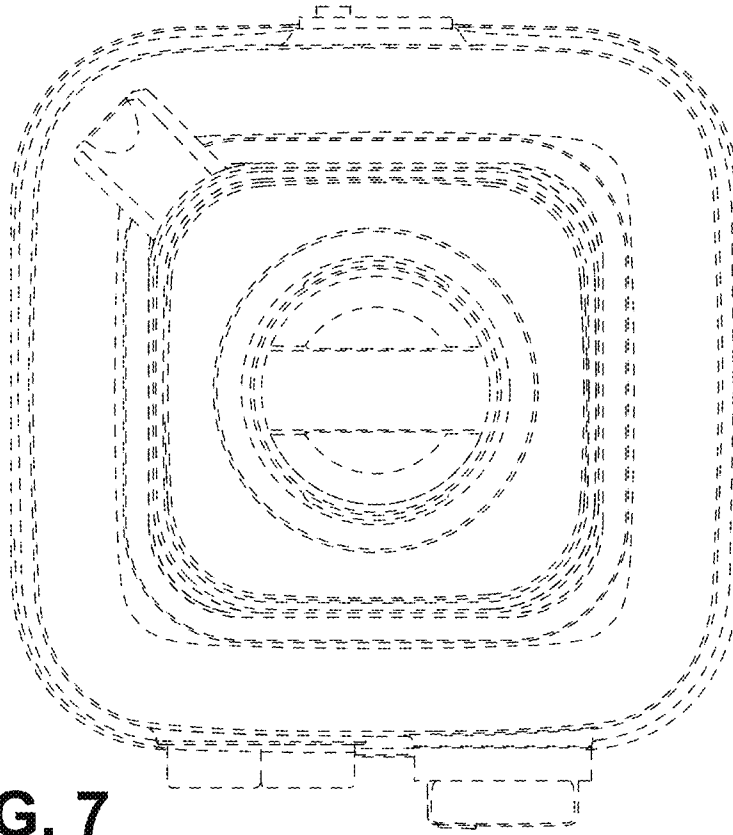


FIG. 7

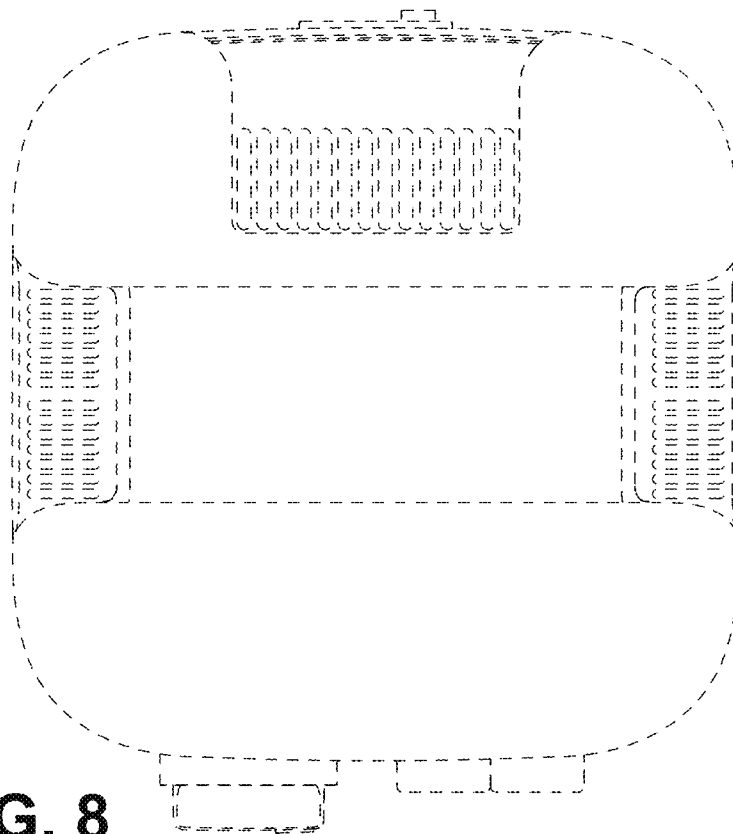


FIG. 8