



(12) **United States Design Patent**
Koch

(10) **Patent No.:** **US D908,629 S**
(45) **Date of Patent:** **** Jan. 26, 2021**

- (54) **CONNECTOR ASSEMBLY**
- (71) Applicant: **Neutrik AG**, Schaan (LI)
- (72) Inventor: **Matthias Koch**, Götzis (AT)
- (73) Assignee: **Neutrik AG**, Schaan (LI)
- (**) Term: **15 Years**
- (21) Appl. No.: **35/507,649**
- (22) Filed: **May 7, 2019**

D692,829	S *	11/2013	Dobler	D13/133
D693,304	S *	11/2013	Dobler	D13/133
8,708,574	B2 *	4/2014	Wang	G02B 6/3849
					385/75
D715,227	S *	10/2014	Leem	D13/146
D734,267	S *	7/2015	Dobler	D13/133
D748,059	S *	1/2016	Kuhnert	D13/146
D754,607	S *	4/2016	Hofmann	D13/133
D755,720	S *	5/2016	Dobler	D13/133
D783,535	S *	4/2017	Dobler	D13/133
D783,536	S *	4/2017	Dobler	D13/133
D789,297	S *	6/2017	Dobler	D13/133
9,671,567	B2 *	6/2017	Dobler	G02B 6/3817
10,063,010	B2 *	8/2018	Ender	H01R 13/6278
D840,341	S *	2/2019	Menolotto	D13/133
10,345,537	B2 *	7/2019	Koch	G02B 6/3893
D880,427	S *	4/2020	Milroy	D13/147
2009/0269011	A1 *	10/2009	Scadden	H01R 13/7172
					385/65
2017/0212308	A1 *	7/2017	Koch	H01R 13/052
2019/0339462	A1 *	11/2019	Koch	H01R 13/502

- (80) **Hague Agreement Data**
- Int. Filing Date: **May 7, 2019**
- Int. Reg. No.: **DM/203705**
- Int. Reg. Date: **May 7, 2019**
- Int. Reg. Pub. Date: **Nov. 8, 2019**

* cited by examiner

- (51) **LOC (13) CL.** **13-03**
- (52) **U.S. CL.**
- USPC **D13/133**
- (58) **Field of Classification Search**
- USPC D13/133, 146, 147, 154, 156, 184, 199;
D14/433
- CPC H01R 13/5213; H01R 13/5221; H01R
13/5816; H01R 13/64; H01R 13/6456;
H01R 24/38
- See application file for complete search history.

Primary Examiner — Nathaniel D. Buckner
(74) *Attorney, Agent, or Firm* — Collard & Roe, P.C.

(56) **References Cited**

U.S. PATENT DOCUMENTS

D278,230	S *	4/1985	Kominiak	D13/133
D510,071	S *	9/2005	D'Addario	D13/154
D512,023	S *	11/2005	Bachmann	D13/149
D517,497	S *	3/2006	Lee	D13/154
D645,022	S *	9/2011	Lee	D14/205
D677,626	S *	3/2013	Dobler	D13/133
D677,627	S *	3/2013	Dobler	D13/133

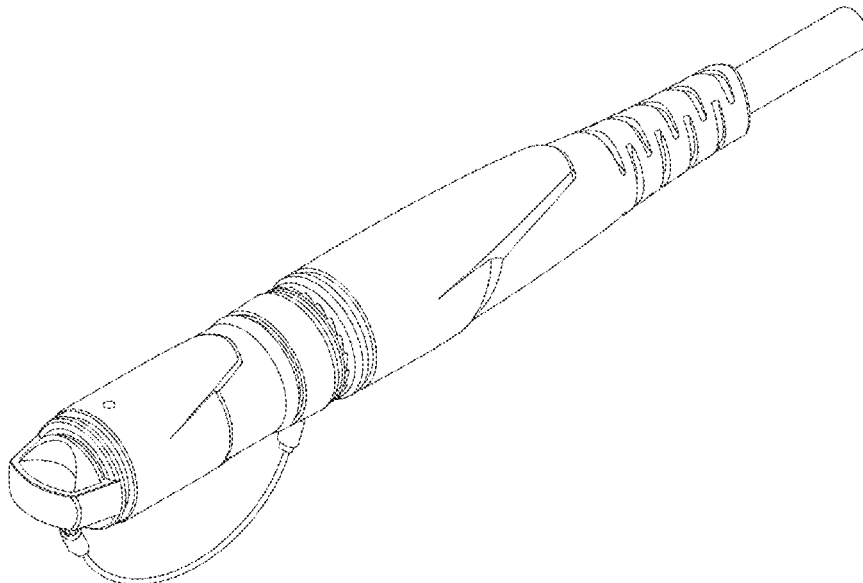
(57) **CLAIM**

The ornamental design for connector assembly, as shown and described.

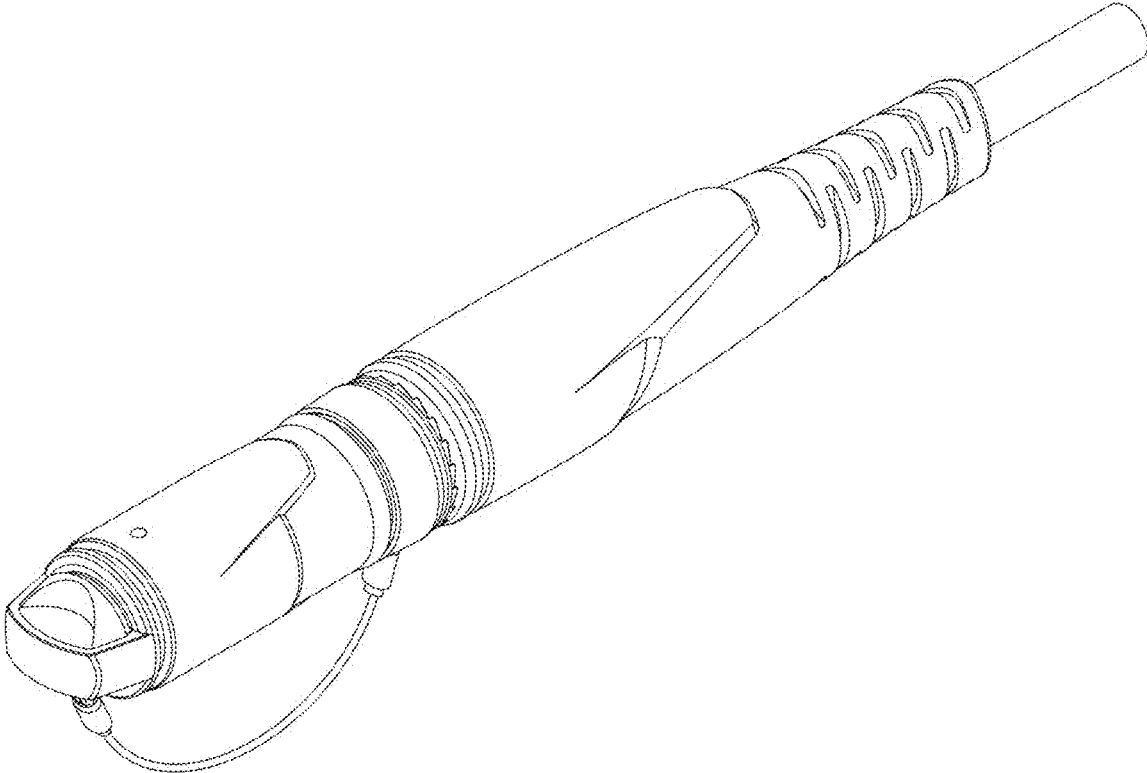
DESCRIPTION

- 1. Connector assembly
- 1.1** is a top right perspective view of a connector assembly showing my new design;
- 1.2** is a Front elevation view thereof;
- 1.3** is a rear elevation view thereof;
- 1.4** is a left side elevation view thereof;
- 1.5** is a right side elevation view thereof;
- 1.6** is a top plan view thereof;
- 1.7** is a bottom plan view thereof.

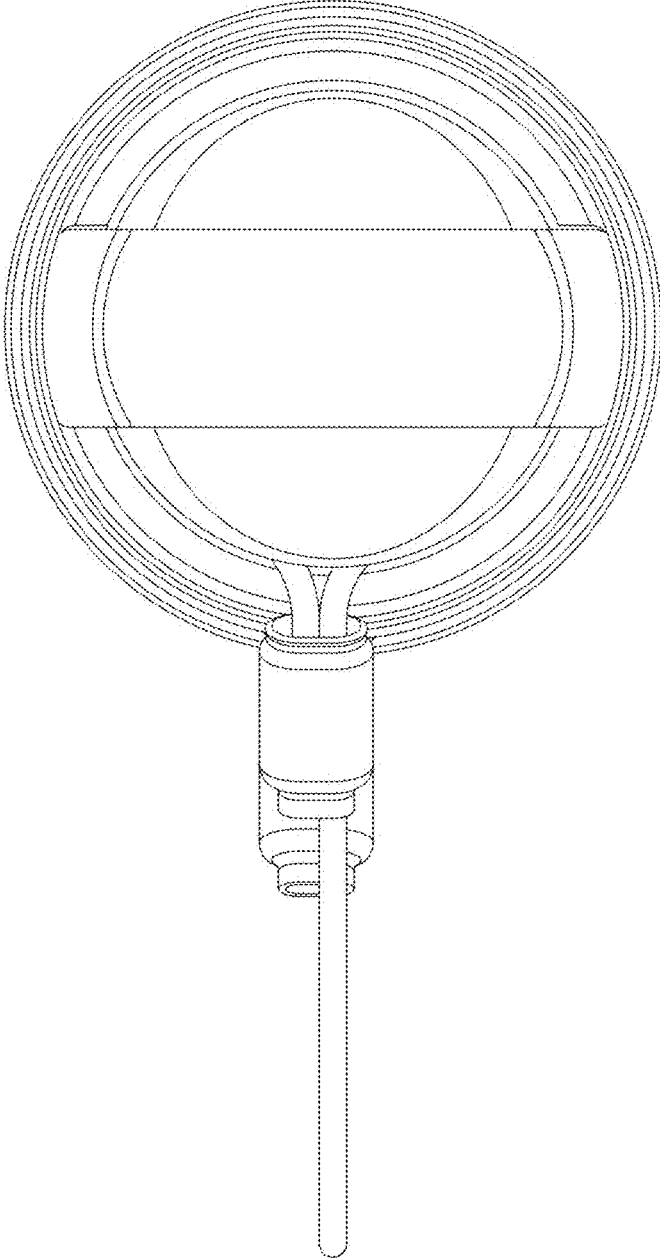
1 Claim, 7 Drawing Sheets



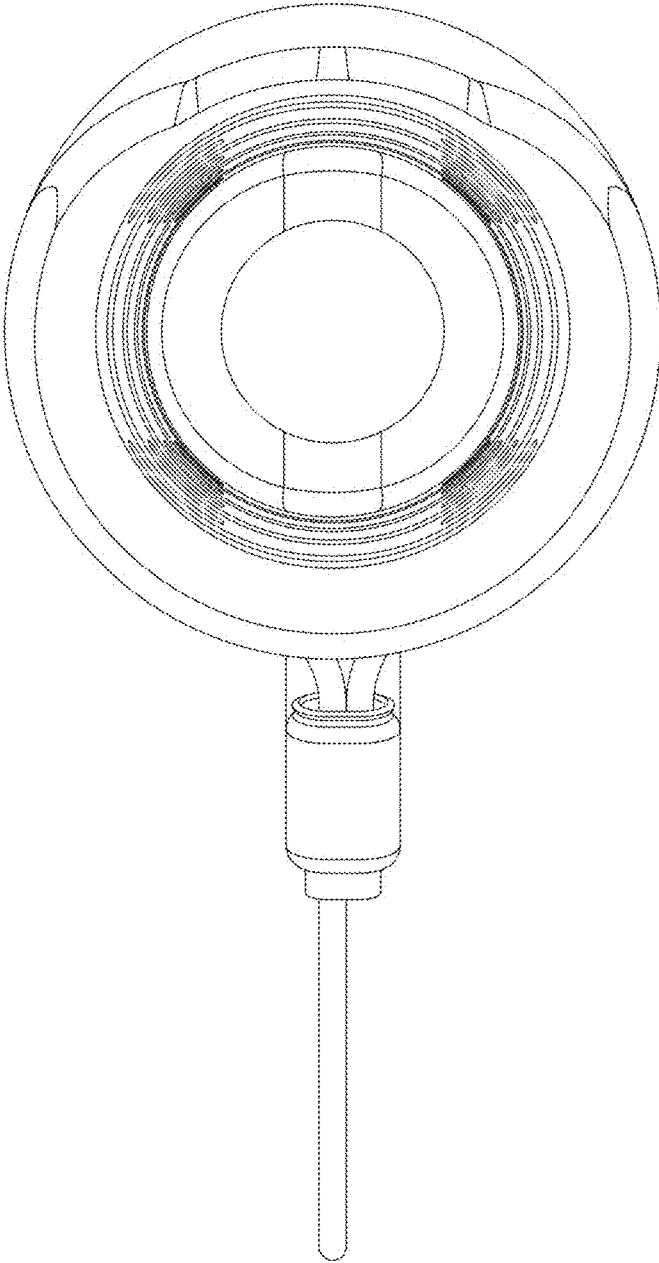
1.1



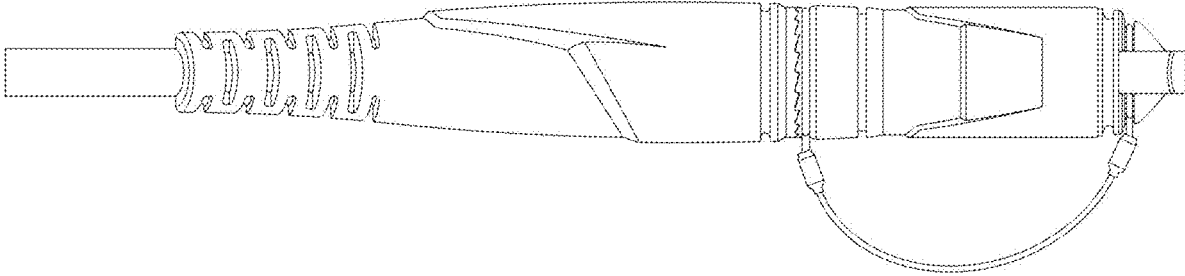
1.2



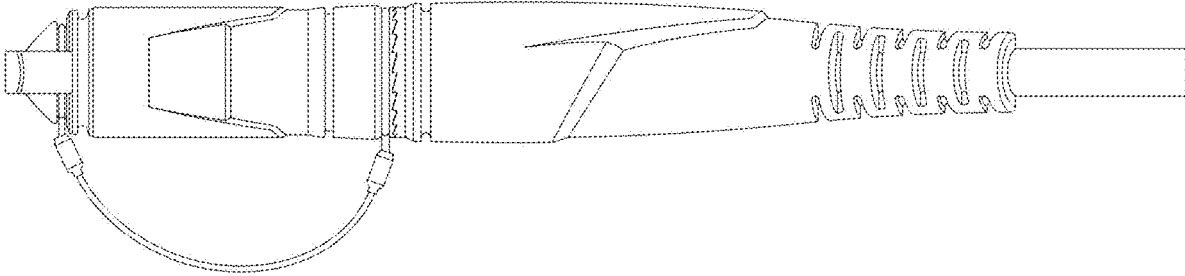
1.3



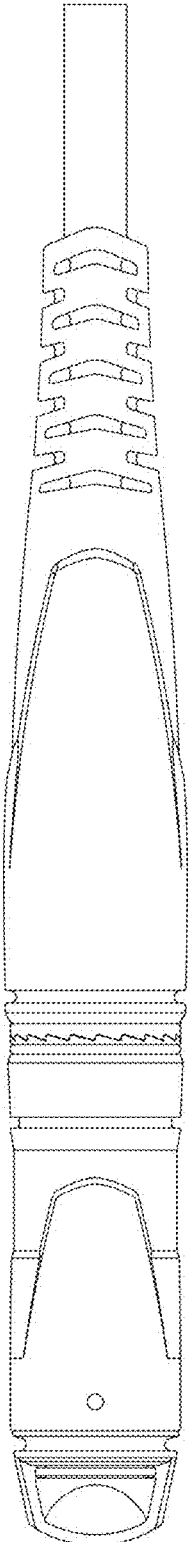
1.4



1.5



1.6



1.7

