



US00D618753S

(12) **United States Design Patent**  
**Jertson et al.**

(10) **Patent No.:** **US D618,753 S**

(45) **Date of Patent:** **\*\* Jun. 29, 2010**

(54) **GOLF CLUB HEAD**

(75) Inventors: **Marty R. Jertson**, Cave Creek, AZ (US); **Michael R. Nicolette**, Scottsdale, AZ (US); **Xiaojian Chen**, Phoenix, AZ (US)

(73) Assignee: **Karsten Manufacturing Corporation**, Phoenix, AZ (US)

(\*\*) Term: **14 Years**

(21) Appl. No.: **29/342,399**

(22) Filed: **Aug. 24, 2009**

(51) **LOC (9) Cl.** ..... **21-02**

(52) **U.S. Cl.** ..... **D21/759**

(58) **Field of Classification Search** ..... D21/733, D21/752, 759; 473/324-331, 343-346  
See application file for complete search history.

(56) **References Cited**

U.S. PATENT DOCUMENTS

5,484,155 A	1/1996	Yamawaki et al.
D371,589 S	7/1996	Fortini
D396,512 S	7/1998	Besnard et al.
D398,682 S	9/1998	Moore
D402,726 S	12/1998	McCabe et al.
D446,563 S	8/2001	Besnard et al.
D489,425 S	5/2004	Rice et al.
D502,976 S	3/2005	Nishitani et al.
6,863,626 B2	3/2005	Evans et al.
D514,179 S	1/2006	Chen et al.
D518,543 S	4/2006	Aguinaldo et al.
D521,093 S	5/2006	Jorgensen et al.
D522,077 S	5/2006	Schweigert et al.
D522,601 S	6/2006	Schweigert et al.
D523,104 S	6/2006	Hasebe
D523,498 S	6/2006	Chen et al.
D526,694 S	8/2006	Schweigert et al.
D532,068 S	11/2006	Tang et al.
D532,473 S	11/2006	Chen et al.
D532,854 S	11/2006	Oldknow
D534,599 S *	1/2007	Barez et al. .... D21/752

D535,342 S	1/2007	Evans et al.
D535,343 S	1/2007	Chen et al.
D536,401 S *	2/2007	Kawami ..... D21/759
D536,402 S *	2/2007	Kawami ..... D21/759
D536,403 S *	2/2007	Kawami ..... D21/759
D537,495 S	2/2007	Schweigert et al.
D537,496 S	2/2007	Serrano et al.

(Continued)

OTHER PUBLICATIONS

Marty R. Jertson et al., "Golf Club Head," U.S. Appl. No. 29/342,402, filed Aug. 24, 2009.

Primary Examiner—Mitchell I Siegel

(57) **CLAIM**

The ornamental design for a golf club head, as shown and described.

**DESCRIPTION**

FIG. 1 is a perspective view of a first embodiment of the bottom of an example golf club head;

FIG. 2 is a bottom view of the example golf club head of FIG. 1;

FIG. 3 is a perspective view of a second embodiment of the bottom of an example golf club head;

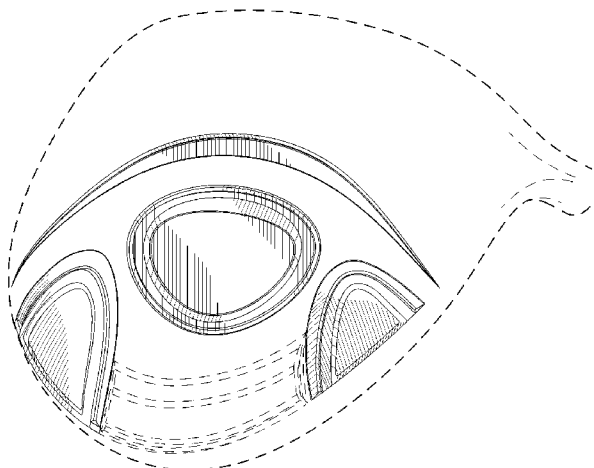
FIG. 4 is a bottom view of the example golf club head of FIG. 3;

FIG. 5 is a perspective view of a third embodiment of the bottom of an example golf club head; and,

FIG. 6 is a bottom view of the example golf club head of FIG. 5.

The broken lines shown in one or more of the figures are for illustrative purposes only and form no part of the claimed design.

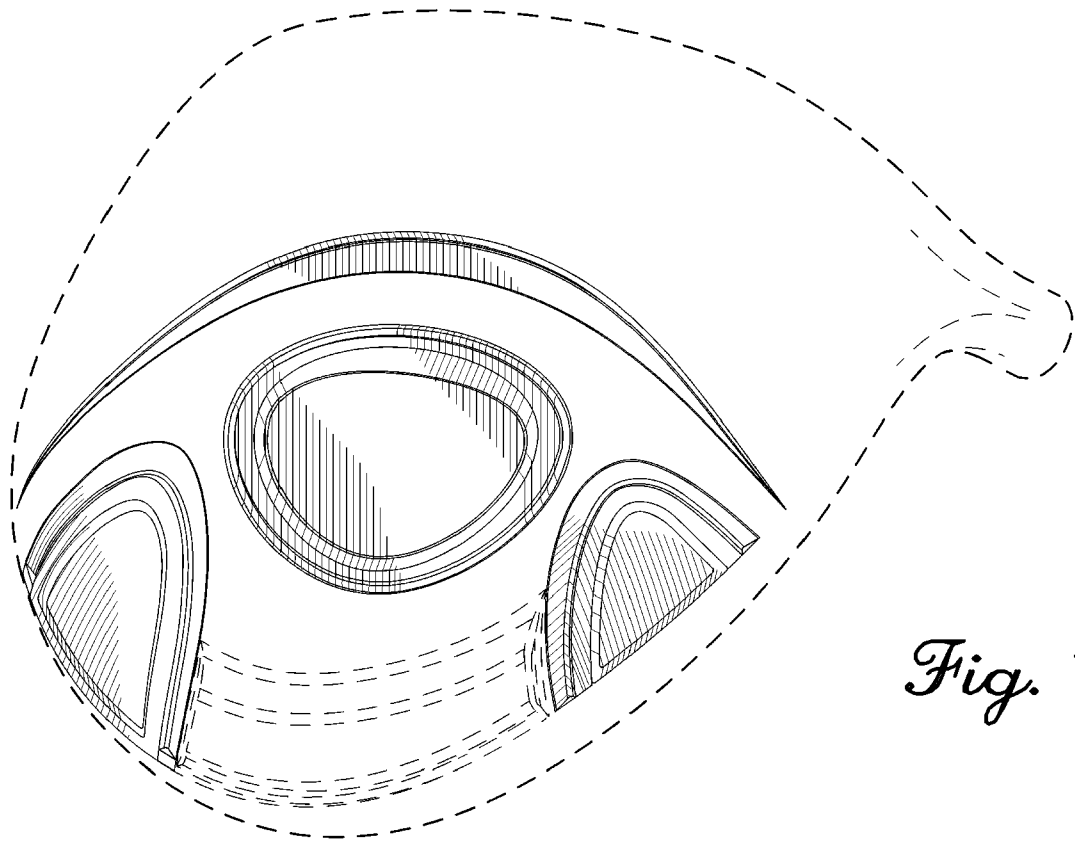
**1 Claim, 3 Drawing Sheets**



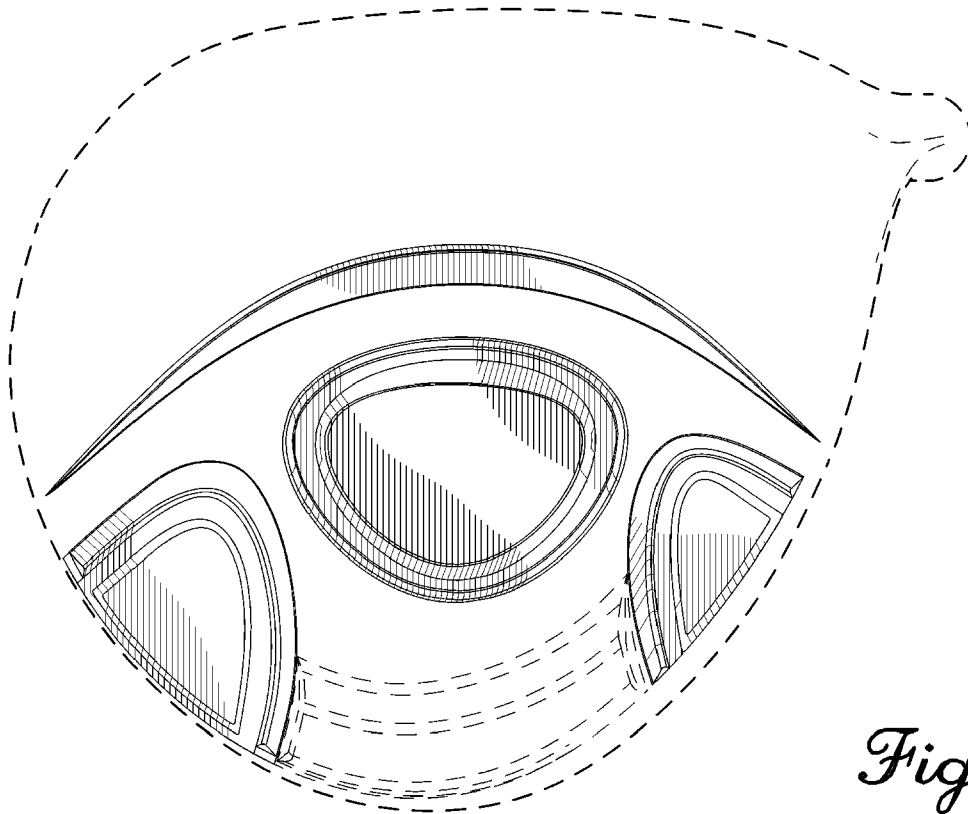
# US D618,753 S

U.S. PATENT DOCUMENTS					
D538,363 S	3/2007	Schweigert et al.	D571,882 S	*	6/2008 Soracco ..... D21/752
D538,367 S	3/2007	Foster et al.	D572,324 S		7/2008 Chen et al.
D538,371 S	*	3/2007 Kawami ..... D21/759	D572,782 S		7/2008 Sanchez et al.
D538,866 S	3/2007	Kim et al.	D572,785 S		7/2008 Chen et al.
D539,371 S	3/2007	Chen et al.	D572,787 S		7/2008 Sanchez et al.
D552,198 S	10/2007	Schweigert et al.	D572,791 S		7/2008 Jertson et al.
D553,206 S	10/2007	Morales et al.	D573,214 S		7/2008 Sanchez et al.
D553,211 S	10/2007	Harvell et al.	D573,216 S		7/2008 Sanchez et al.
D554,213 S	10/2007	Tang et al.	D573,217 S		7/2008 Sanchez et al.
7,285,060 B2	10/2007	Williams	D573,218 S		7/2008 Sanchez et al.
D554,720 S	11/2007	Barez et al.	D573,676 S		7/2008 Chen et al.
D557,362 S	12/2007	Serrano et al.	D574,046 S		7/2008 Chen et al.
D557,363 S	12/2007	Jertson et al.	D574,048 S	*	7/2008 Kadoya ..... D21/759
D558,287 S	12/2007	Jertson et al.	D578,174 S		10/2008 Tang et al.
D558,288 S	12/2007	Jertson et al.	D583,432 S		12/2008 Serrano et al.
D561,286 S	2/2008	Morales et al.	D588,217 S		3/2009 Jertson et al.
D562,421 S	2/2008	Jertson et al.	D588,659 S		3/2009 Jertson et al.
D563,498 S	3/2008	Jertson et al.	D589,576 S		3/2009 Kadoya
D564,054 S	3/2008	Jertson et al.	D591,810 S	*	5/2009 Murphy et al. .... D21/752
D564,055 S	3/2008	Jertson et al.	D591,816 S		5/2009 Vehse et al.
D564,056 S	3/2008	Chen et al.	D591,817 S		5/2009 Murphy et al.
D566,214 S	4/2008	Evans et al.	D592,258 S		5/2009 Bosilkovski et al.
D567,317 S	4/2008	Jertson et al.	D592,721 S		5/2009 Foster et al.
D567,891 S	4/2008	Serrano et al.	D594,518 S		6/2009 Schweigert
D569,464 S	5/2008	Hettinger et al.	D594,520 S	*	6/2009 Schweigert et al. .... D21/759
D569,933 S	5/2008	Jertson et al.	D594,521 S		6/2009 Jertson et al.
D569,934 S	5/2008	Jertson et al.	D594,919 S	*	6/2009 Schweigert et al. .... D21/752
D569,935 S	5/2008	Schweigert et al.	D596,252 S		7/2009 Jertson et al.
D569,936 S	5/2008	Schweigert et al.	D603,472 S	*	11/2009 Schweigert et al. .... D21/752
D569,937 S	5/2008	Sanchez et al.	2001/0011044 A1		8/2001 Galy
D570,937 S	6/2008	Schweigert et al.	2008/0171612 A1		7/2008 Serrano et al.
D570,938 S	6/2008	Jertson et al.	2008/0188322 A1		8/2008 Anderson et al.
D570,939 S	6/2008	Chen et al.	2009/0069115 A1		3/2009 Erickson et al.
D570,940 S	6/2008	Chen et al.	2009/0105010 A1		4/2009 De La Cruz et al.
D570,941 S	6/2008	Chen et al.	2009/0124410 A1		5/2009 Rife

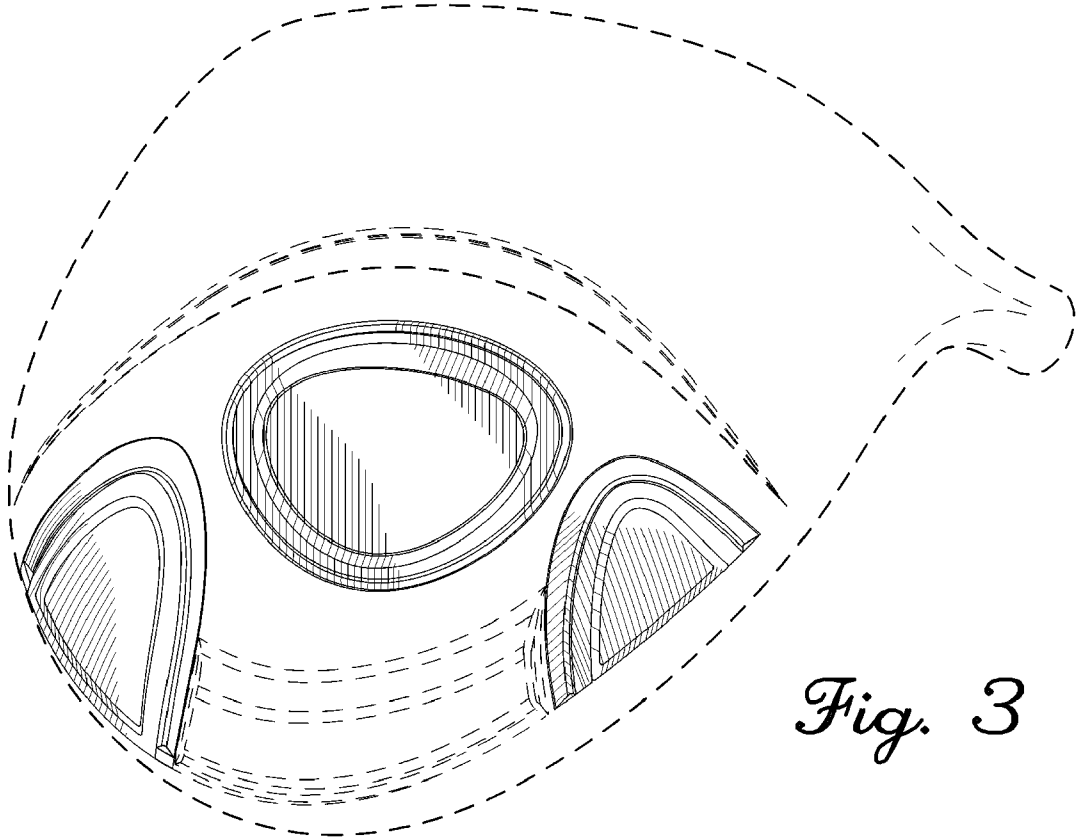
\* cited by examiner



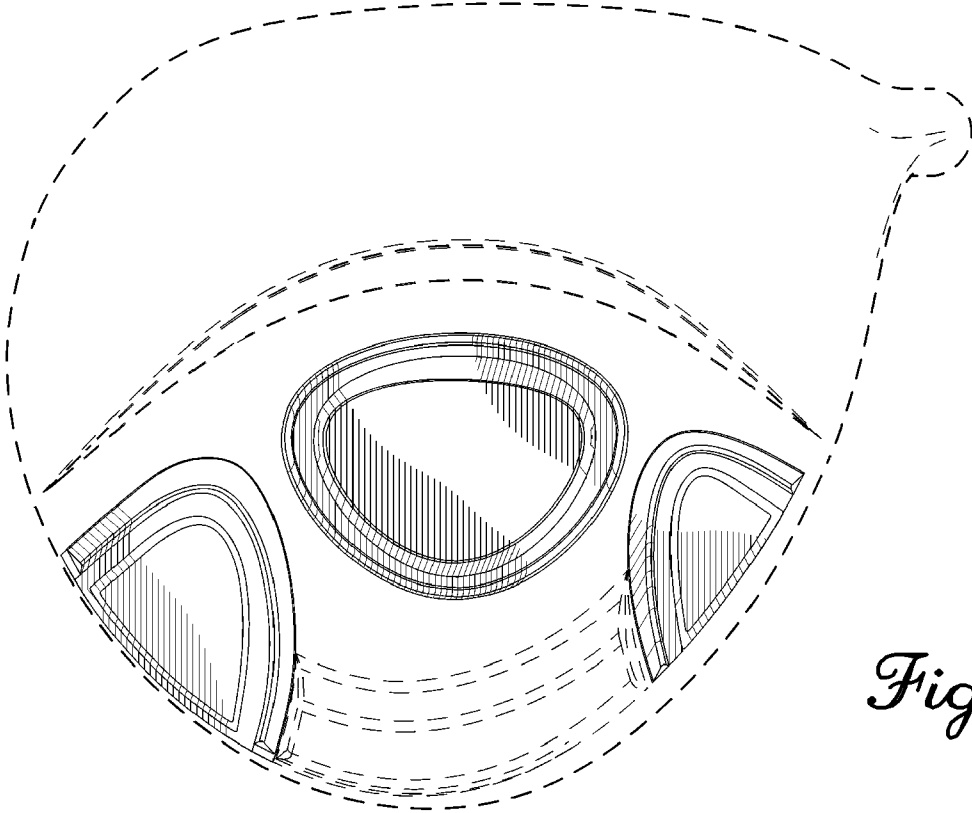
*Fig. 1*



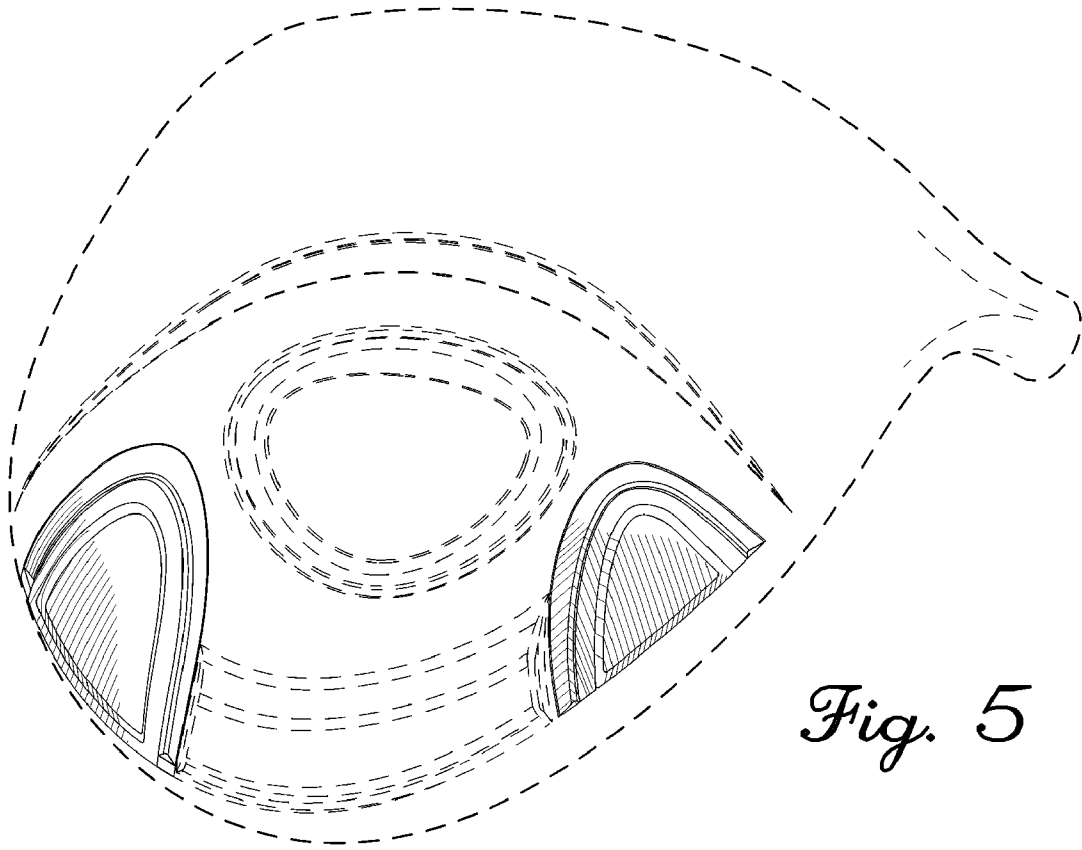
*Fig. 2*



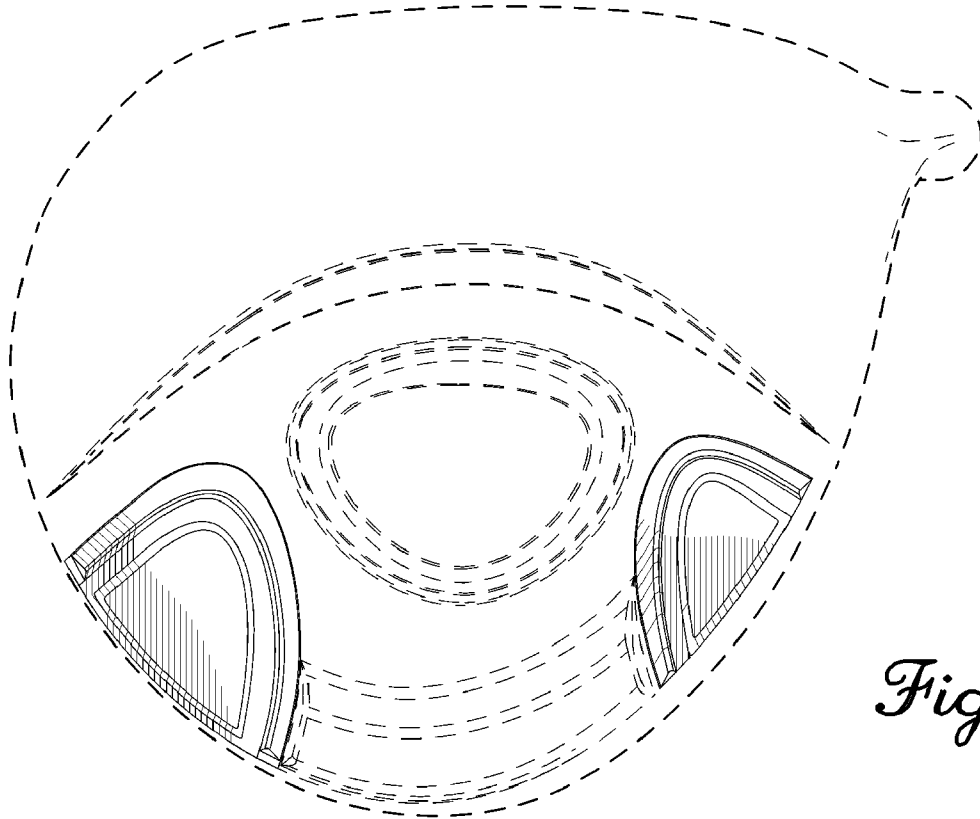
*Fig. 3*



*Fig. 4*



*Fig. 5*



*Fig. 6*