



US00D857916S

(12) **United States Design Patent**
Tanner

(10) **Patent No.:** **US D857,916 S**

(45) **Date of Patent:** **** Aug. 27, 2019**

(54) **SOUND MACHINE FOR SLEEP THERAPY**

D787,067 S * 5/2017 Wightman D24/169
D827,619 S * 9/2018 Johnson D14/229
D836,788 S * 12/2018 Peng D24/200

(71) Applicant: **BEAR DOWN CONSULTING, A CALIFORNIA CORPORATION**,
Santa Ana, CA (US)

* cited by examiner

(72) Inventor: **Dayne Tanner**, Concord, CA (US)

Primary Examiner — Rhea Shields

(73) Assignee: **BEAR DOWN BRANDS LLC**, Santa Ana, CA (US)

(74) *Attorney, Agent, or Firm* — Polsinelli PC

(**) Term: **15 Years**

(57) **CLAIM**

The ornamental design for a sound machine for sleep therapy, as shown and described.

(21) Appl. No.: **29/616,947**

DESCRIPTION

(22) Filed: **Sep. 11, 2017**

FIG. 1 is a front perspective view of a sound machine for sleep therapy according to an embodiment of the invention shown;

(51) **LOC (12) Cl.** **24-99**

FIG. 2 is a rear perspective view of the sound machine of FIG. 1;

(52) **U.S. Cl.**

USPC **D24/231**

(58) **Field of Classification Search**

USPC D24/231, 209, 186, 200, 169, 170, 174, D24/167; D14/229, 194

CPC A61B 5/02055; A61M 21/00

See application file for complete search history.

FIG. 3 is a front perspective view of the sound machine of FIG. 1;

FIG. 4 is a rear perspective view of the sound machine of FIG. 1;

FIG. 5 is a right side elevation view of the sound machine of FIG. 1;

FIG. 6 is a left side elevation view of the sound machine of FIG. 1;

FIG. 7 is a top plan view of the sound machine of FIG. 1;

FIG. 8 is a bottom plan view of the sound machine of FIG. 1;

FIG. 9 is a front elevation view of the sound machine of FIG. 1; and,

FIG. 10 is a rear elevation view of the sound machine of FIG. 1.

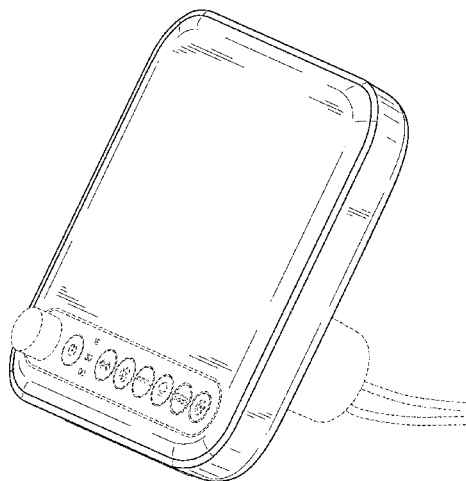
The broken dashed lines (- - -) showing in FIGS. 1-10 are included for the purpose of illustrating portions of the sound machine for sleep therapy that form no part of the claimed design.

(56) **References Cited**

U.S. PATENT DOCUMENTS

3,014,477	A *	12/1961	Carlin	A61M 21/00
					5/904
D244,878	S *	6/1977	Brand	D14/194
4,090,504	A *	5/1978	Nathan	A61B 5/02055
					128/DIG. 15
D381,019	S *	7/1997	Muller	D24/231
D396,855	S *	8/1998	Barbeau	D24/231
D599,485	S *	9/2009	Burrows	D24/209
D629,113	S *	12/2010	Wodecki	D24/186
D669,992	S *	10/2012	Schafer	D24/170
D670,390	S *	11/2012	Goodman	D24/174
D717,955	S *	11/2014	Bishay	D24/167
D766,456	S *	9/2016	Luc	D24/231

1 Claim, 8 Drawing Sheets



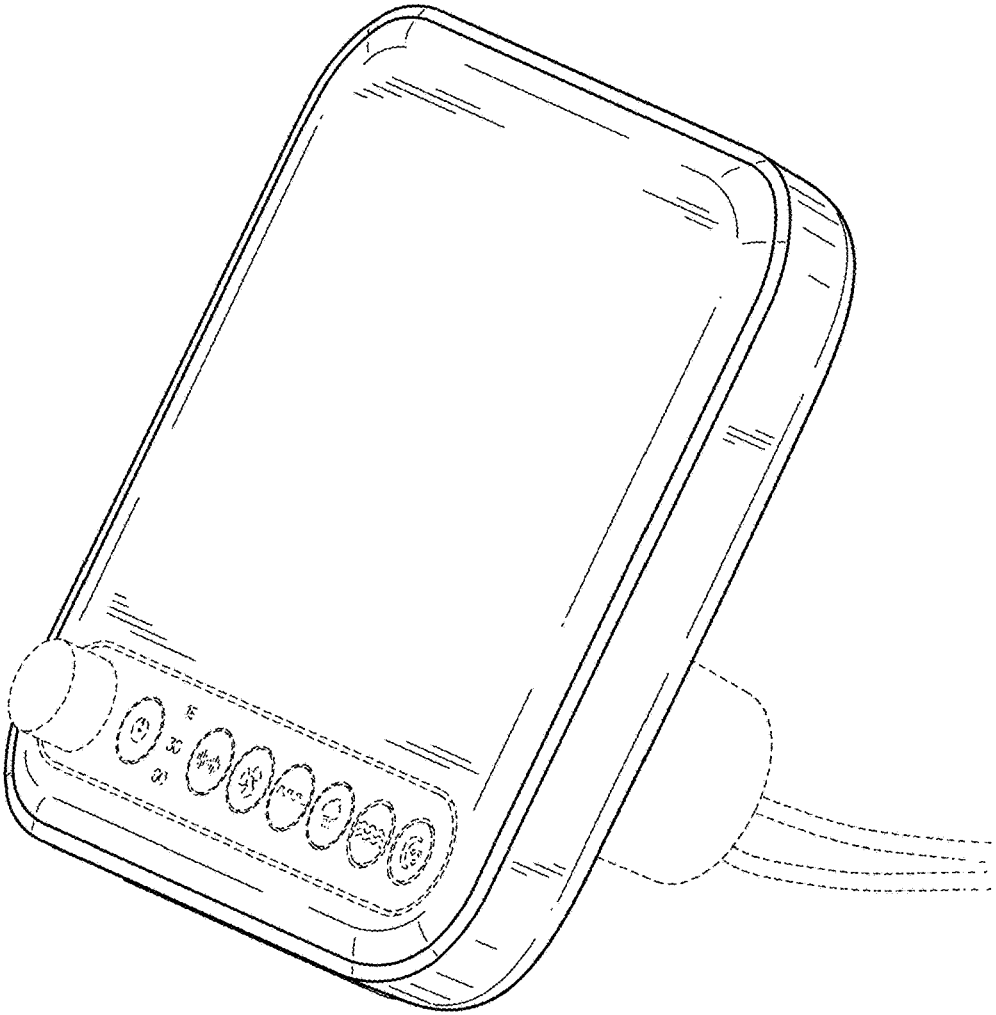


FIG. 1

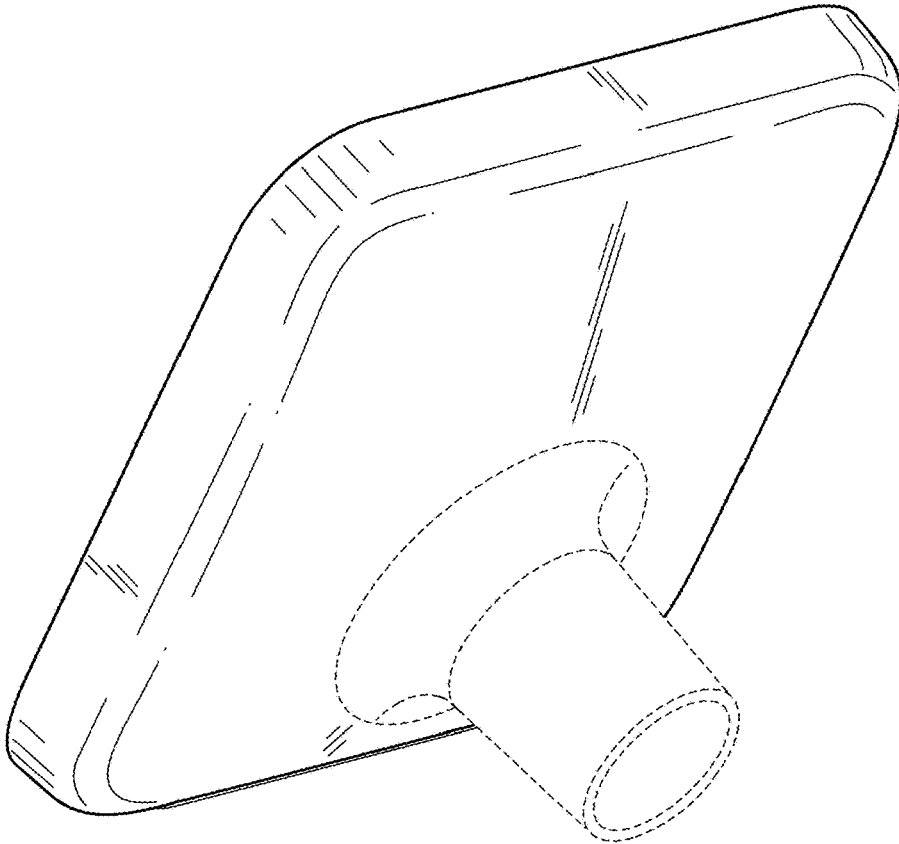


FIG. 2

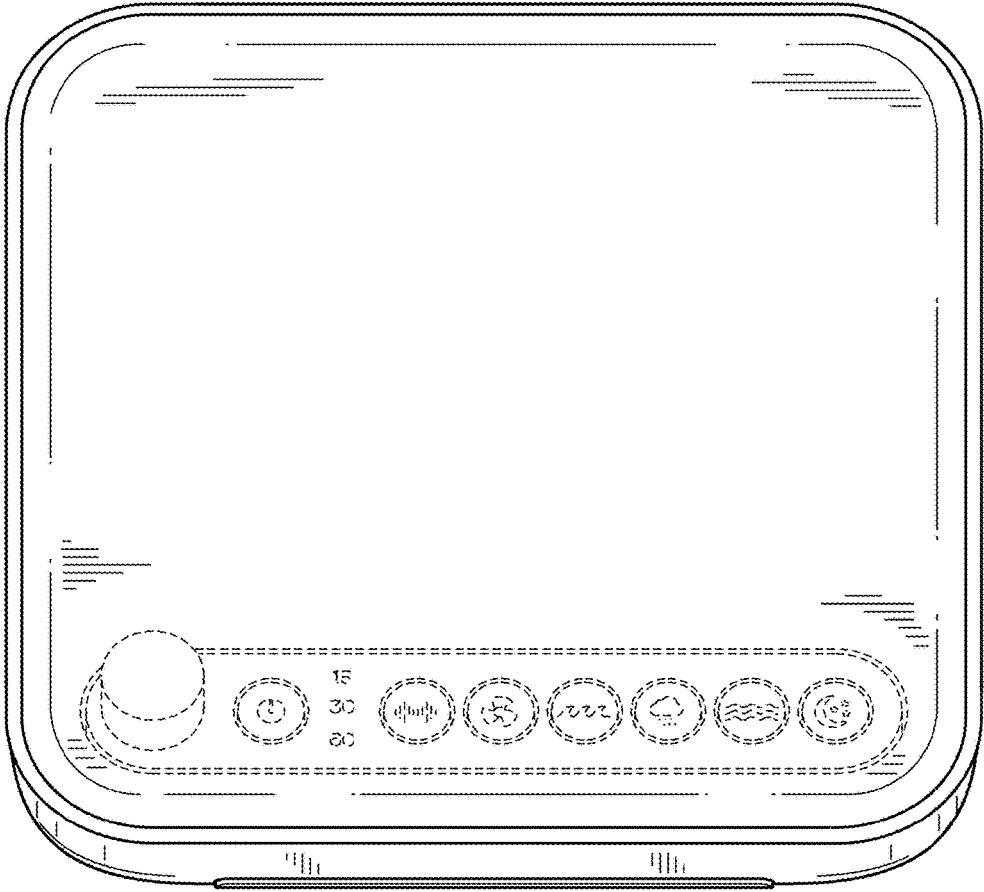


FIG. 3

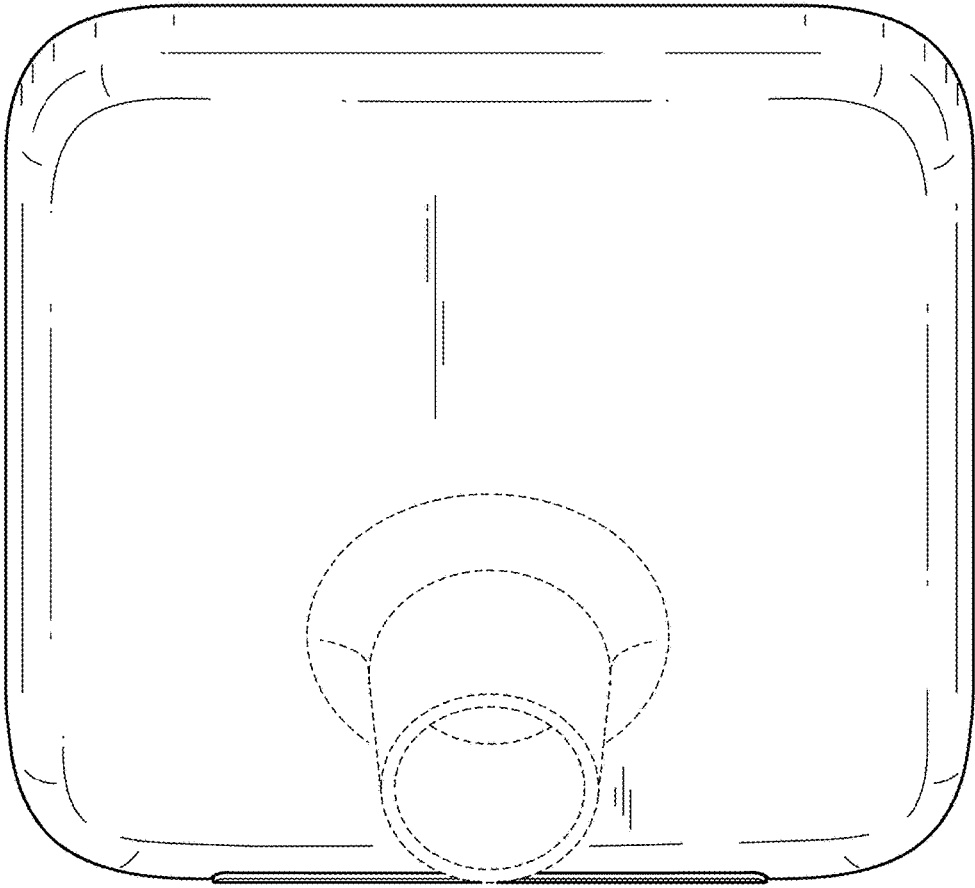


FIG. 4

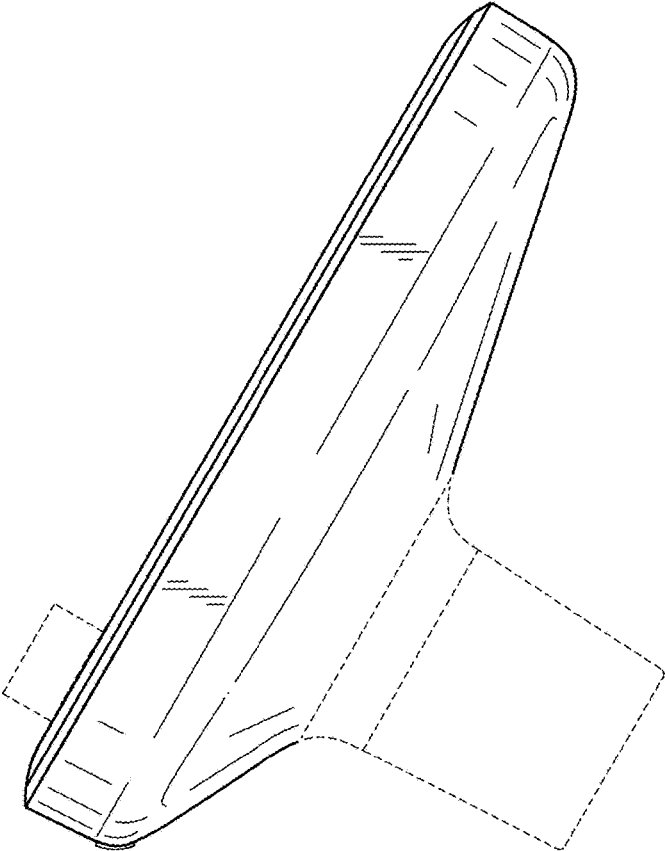


FIG. 5

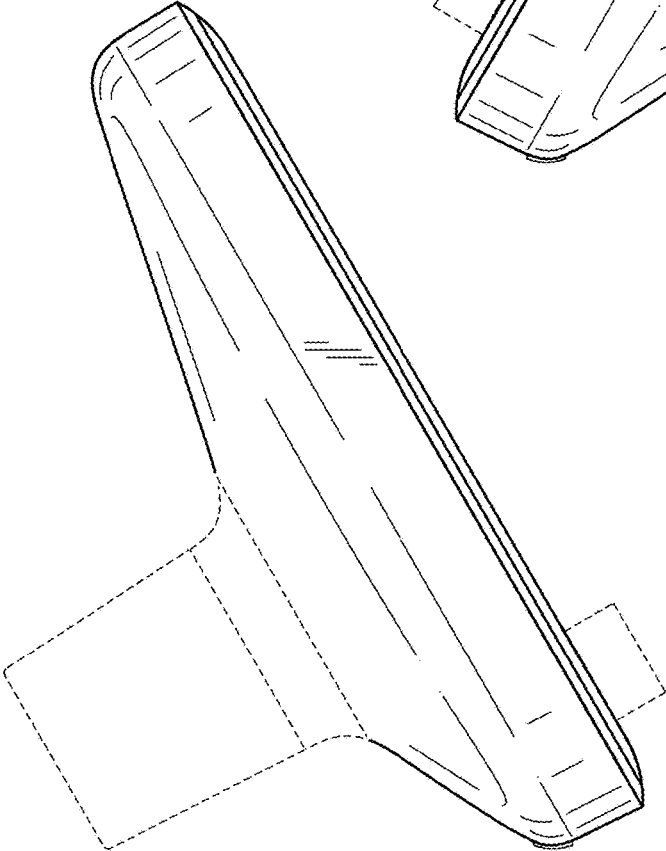


FIG. 6

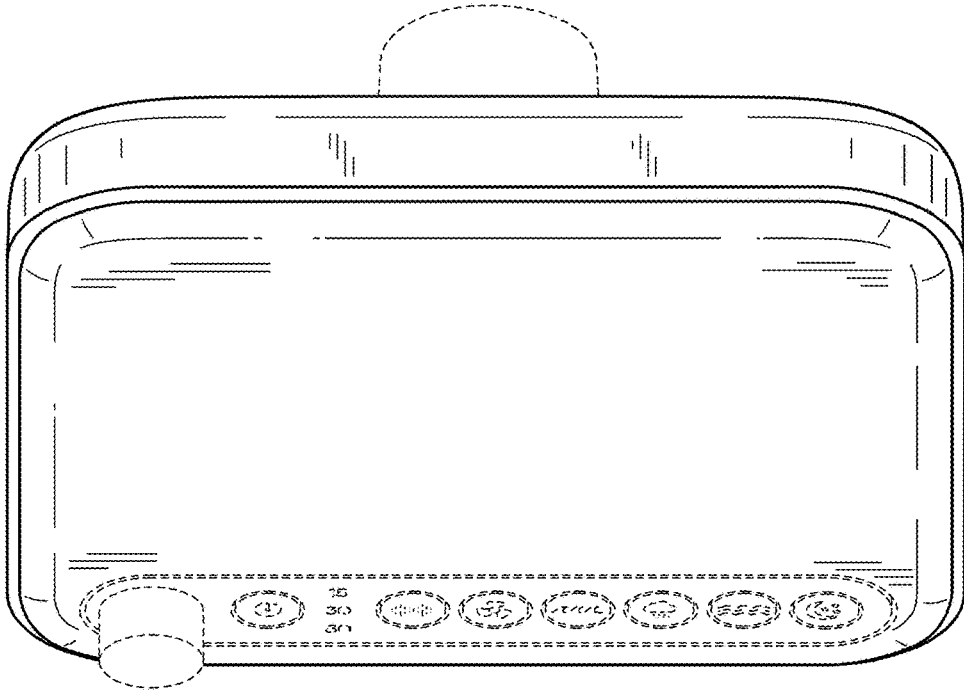


FIG. 7

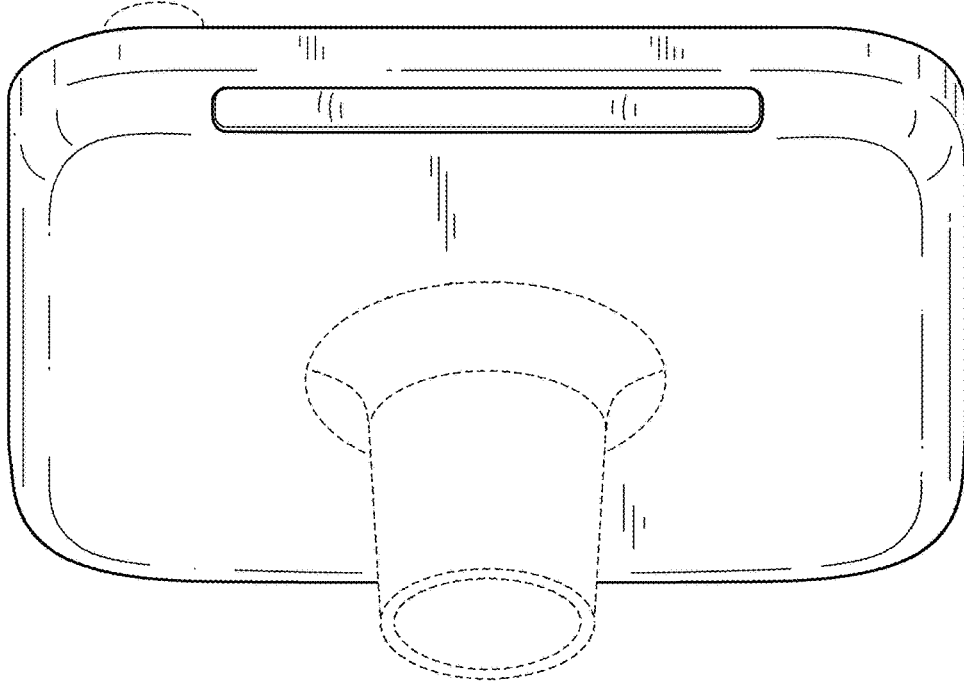


FIG. 8

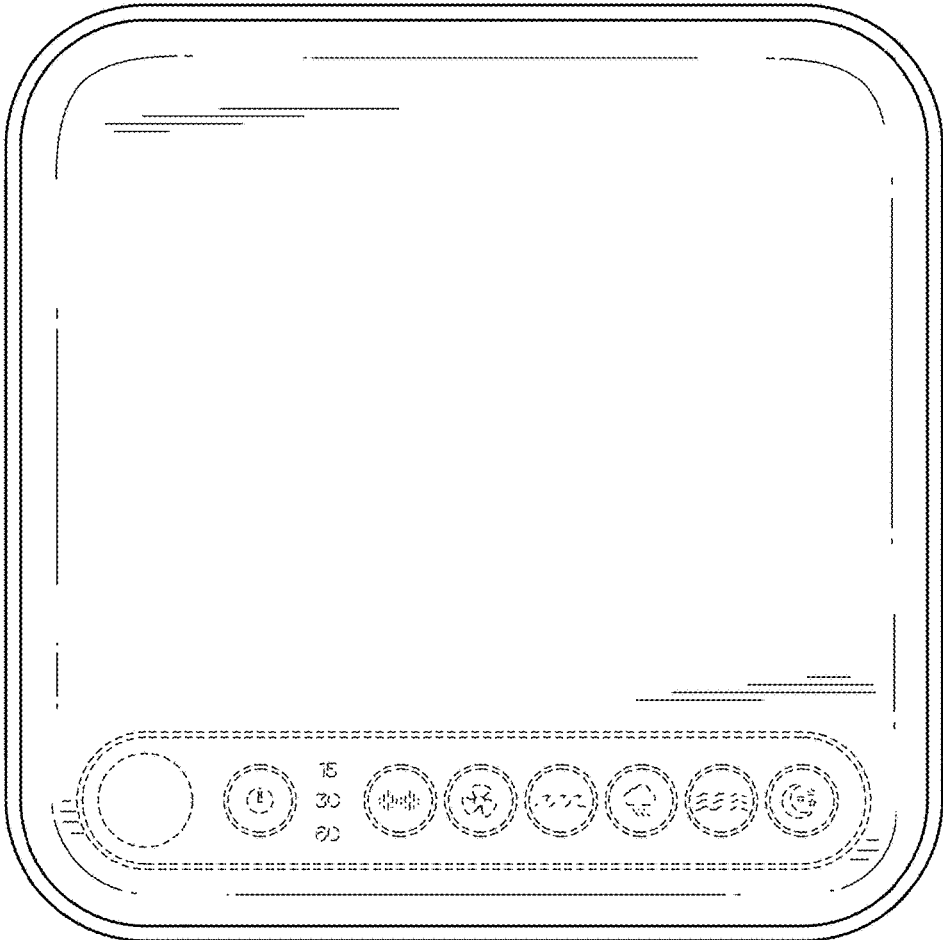


FIG. 9



FIG. 10