



US00D855311S

(12) **United States Design Patent**
Bergquist

(10) **Patent No.:** **US D855,311 S**

(45) **Date of Patent:** **** Aug. 6, 2019**

(54) **CARRYING CASE**

(71) Applicant: **Bart Brian Bergquist**, Milwaukie, OR
(US)

(72) Inventor: **Bart Brian Bergquist**, Milwaukie, OR
(US)

(**) Term: **15 Years**

(21) Appl. No.: **29/637,385**

(22) Filed: **Feb. 16, 2018**

(51) **LOC (12) Cl.** **03-01**

(52) **U.S. Cl.**
USPC **D3/217**

(58) **Field of Classification Search**
USPC D3/215–217, 273, 289, 290, 318, 321,
D3/322, 323
CPC .. A45F 3/04; A45F 3/042; A45F 3/047; A45F
3/08; A45F 3/10; A45F 3/14; A45F 4/02;
A45F 4/08; A45F 2200/05; A45F
2200/0525; A45C 13/08; A45C 13/083
See application file for complete search history.

(56) **References Cited**

U.S. PATENT DOCUMENTS

34,272 A	1/1862	Short
268,932 A	12/1882	Poirier
294,622 A	3/1884	Honinger
340,339 A	4/1886	Marshall
385,429 A	7/1888	Sohner
417,301 A	12/1889	Weldon
424,324 A	3/1890	Marshall
432,607 A	7/1890	Dwyer
447,669 A	3/1891	Dwyer
450,988 A	4/1891	Brown
504,101 A	8/1893	Zbinden
511,690 A	12/1893	Edwards
829,058 A	6/1906	Leavy
922,046 A	5/1909	Royce

922,567 A	5/1909	Cosgrove
954,825 A	4/1910	Schumacher
954,840 A	4/1910	Wiedemann
995,963 A	6/1911	Harriman
1,084,360 A	1/1914	Rahm

(Continued)

FOREIGN PATENT DOCUMENTS

FR	695048 A	12/1930
FR	759958	2/1934

(Continued)

OTHER PUBLICATIONS

Austin, posted at letrav.com, no posting date available, online,
URL:https://www.letrav.com/store/p11/Austin.html (Year: 2018).*

(Continued)

Primary Examiner — Anhdao Doan
Assistant Examiner — Mary Shannon Malley
(74) *Attorney, Agent, or Firm* — Law Office of Karen
Dana Oster, LLC

(57) **CLAIM**

The ornamental design for a carrying case, as shown and described.

DESCRIPTION

FIG. 1 is a perspective view of the carrying case of my new design;
FIG. 2 is a front view thereof;
FIG. 3 is a rear view thereof;
FIG. 4 is a first side view thereof;
FIG. 5 is a second side view thereof;
FIG. 6 is top view thereof; and,
FIG. 7 is a bottom view thereof.
The straps of the carrying case are shown with a symbolic break in length. The appearance of any portion of the article between the break lines forms no part of the claimed design.

1 Claim, 7 Drawing Sheets



(56)

References Cited

U.S. PATENT DOCUMENTS

1,329,429	A	2/1920	Perry	3,549,064	A	12/1970	Wilson
1,370,636	A	3/1921	Dwyer	3,575,327	A	4/1971	Harrison
1,397,161	A	11/1921	Tobias	3,587,795	A	6/1971	Berry et al.
1,491,807	A	4/1924	McInlin	3,622,056	A	11/1971	Droeger
1,510,815	A	10/1924	Adams	3,696,850	A	10/1972	Rosenblum
1,537,956	A	5/1925	McNally	D227,044	S	5/1973	Camp
1,606,107	A	11/1926	Simms	3,762,345	A	10/1973	Sgariglia
1,636,194	A	7/1927	Mullins	3,786,972	A	1/1974	Alley
1,666,704	A	4/1928	Hunter	D230,327	S	2/1974	Cooperstein
1,705,149	A	3/1929	Brady	3,802,613	A	4/1974	Droeger
1,761,426	A	6/1930	Chute	3,830,348	A	8/1974	Ohyama
1,859,052	A	5/1932	Ritter	3,837,447	A	9/1974	Honan
1,871,549	A	8/1932	Miller	3,902,640	A	9/1975	Geiben
1,914,087	A	6/1933	Gilmore	D237,752	S	11/1975	Bauer
1,920,308	A	8/1933	Hiles	3,933,229	A	1/1976	Pelavin
2,005,791	A	6/1935	Gustave	D238,725	S	2/1976	Zerobuick
2,010,166	A	8/1935	Thompson	3,937,374	A	2/1976	Hine, Jr.
2,023,792	A	12/1935	Sampson	3,938,716	A	2/1976	Jackson et al.
2,063,850	A	12/1936	Nemeth et al.	3,938,718	A	2/1976	Madison
2,078,624	A	4/1937	Wolff et al.	3,957,184	A	5/1976	Shurman
2,086,326	A	7/1937	Goldberg	3,960,300	A	6/1976	Dickler
2,086,895	A	7/1937	Cart	3,963,102	A	6/1976	Carp
2,087,210	A	7/1937	Marbury et al.	3,970,229	A	7/1976	Norinsky
2,105,319	A	1/1938	Hedden et al.	3,989,174	A	11/1976	Norinsky
2,143,062	A	1/1939	Ericson et al.	3,994,372	A	11/1976	Geller et al.
2,154,630	A	4/1939	Marbury et al.	3,995,802	A	12/1976	Johnston
2,164,641	A	7/1939	Davenport	4,018,369	A	4/1977	Jaeger
2,182,879	A	12/1939	Rinehart	4,040,548	A	8/1977	Guglielmo
2,254,578	A	9/1941	O' Brien	4,059,207	A	11/1977	Jackson et al.
2,270,049	A	1/1942	Greenstein	4,066,195	A	1/1978	Dickler
2,298,754	A	10/1942	Davis	D247,460	S	3/1978	Sykes
2,362,807	A	11/1944	Dresner	4,117,874	A	10/1978	Berenguer
2,370,492	A	2/1945	Russell	4,153,146	A	5/1979	Patton et al.
2,390,673	A	12/1945	Wallace	4,182,391	A	1/1980	Kjose
2,421,244	A	5/1947	Daiber	4,194,602	A	3/1980	Allen
2,428,795	A	10/1947	Frazee	4,236,657	A	12/1980	Brunton
2,453,663	A	11/1948	Hinson	4,273,274	A	6/1981	Freistadt
2,493,506	A	1/1950	Schwartzbard	4,334,601	A	6/1982	Davis
D157,266	S	2/1950	Kiernan	D270,586	S	9/1983	Tatnall et al.
2,527,059	A	10/1950	Di Mezza	4,442,960	A	4/1984	Vetter
2,540,165	A	2/1951	Fiel	4,449,655	A	5/1984	Germe
2,551,929	A	5/1951	Collins	D275,622	S	9/1984	Pierce et al.
2,557,280	A	6/1951	Hahn	4,483,469	A	11/1984	Arisland
2,611,519	A	9/1952	Utterstrom	4,491,258	A	1/1985	Jones
2,612,199	A	9/1952	Schocket	4,506,769	A	3/1985	Franco et al.
2,674,288	A	4/1954	Laidlaw	4,513,866	A	4/1985	Thomas
2,797,779	A	7/1957	Davis	D278,949	S	5/1985	Soininen
2,813,602	A	11/1957	MacArthur	4,515,300	A	5/1985	Cohen
2,836,334	A	5/1958	Davis	4,515,493	A	5/1985	Radovich
2,854,775	A	10/1958	Kleckley	D279,144	S	6/1985	Allen
2,887,196	A	5/1959	Davis	4,546,863	A	10/1985	Kaufman
2,943,775	A	7/1960	Mack	4,561,576	A	12/1985	Lowe et al.
2,979,098	A	4/1961	Greaves	4,593,841	A	6/1986	Lange
3,019,869	A	2/1962	Engelhardt	4,609,084	A	9/1986	Thomas
3,019,952	A	2/1962	Brewster	4,662,551	A	5/1987	Dudley et al.
3,033,431	A	5/1962	Henderson et al.	4,756,394	A	7/1988	Cohen
3,052,895	A	9/1962	Lo Vico	4,767,039	A	8/1988	Jacober
3,061,057	A	10/1962	Miller	4,782,874	A	11/1988	Chartier
3,114,486	A	12/1963	Flexman	4,810,102	A	3/1989	Norton
3,122,225	A	2/1964	Ward	4,830,245	A	5/1989	Arakaki
3,139,164	A	6/1964	Koffler	D302,211	S	7/1989	Sears
RE25,826	E	8/1965	Ward	4,856,570	A	8/1989	Rushing et al.
3,233,803	A	2/1966	Gray	4,869,408	A	9/1989	Lutz
3,254,816	A	6/1966	Gray	4,874,340	A	10/1989	Smallwood
3,292,747	A	12/1966	Dawson	4,883,207	A	11/1989	McArthur
3,335,775	A	8/1967	Adams	4,887,751	A	12/1989	Lehman
3,346,155	A	10/1967	Oechsle	4,901,897	A	2/1990	Briggs et al.
3,363,814	A	1/1968	Hall et al.	4,925,070	A	5/1990	Tulgan
3,409,192	A	11/1968	Scott	4,946,292	A	8/1990	Diamond et al.
3,443,671	A	5/1969	Dyke	4,951,816	A	8/1990	Smith
3,454,068	A	7/1969	Goldstein et al.	4,961,522	A	10/1990	Weber
3,530,919	A	9/1970	May	4,979,658	A	12/1990	Baker
3,530,961	A	9/1970	Weissenbach	5,022,574	A	6/1991	Cesari
3,542,170	A	11/1970	Bialo	5,031,733	A	7/1991	Chang
3,543,825	A	12/1970	Dobbs	D319,144	S	8/1991	Goude
				D323,237	S	1/1992	Zoltie
				D323,426	S	1/1992	Mahvi et al.
				5,150,824	A	9/1992	Alvarez et al.
				5,165,111	A	11/1992	Lieberman

(56)

References Cited

U.S. PATENT DOCUMENTS

5,215,318	A	6/1993	Capraro	D605,849	S	12/2009	Mori	
5,222,642	A	6/1993	Solarz	D610,797	S	3/2010	Shor et al.	
D339,283	S	9/1993	Barros	7,681,769	B2	3/2010	Kramer	
D343,513	S	1/1994	DiTizio	D623,857	S	9/2010	Austin	
5,361,951	A	11/1994	Chehebar	D625,518	S	10/2010	Edwards	
D354,849	S	1/1995	Herman et al.	D634,929	S	3/2011	Bizzell	
5,377,887	A	1/1995	Garcia	D638,623	S	5/2011	Chen	
5,400,903	A	3/1995	Cooley	D647,302	S	10/2011	Hoang	
D358,483	S	5/1995	Cross et al.	8,028,879	B2	10/2011	Amishay	
5,415,332	A	5/1995	Kliot	8,123,090	B2	2/2012	Missick	
5,425,449	A	6/1995	Boorady	8,146,787	B2	4/2012	Cragg	
D359,847	S	7/1995	Callegari	D658,363	S	5/2012	Biddle	
D360,182	S	7/1995	Lovett	D660,585	S	5/2012	McDonald et al.	
5,431,317	A	7/1995	Kliot	D661,085	S	6/2012	Custer	
5,447,261	A	9/1995	Mitomi et al.	D674,183	S	1/2013	Iacchetti	
5,456,353	A	10/1995	Challoner et al.	D674,591	S	* 1/2013	Hargens	D3/217
5,490,619	A	2/1996	Boyar	D690,502	S	10/2013	Bergquist	
5,603,573	A	2/1997	Mercier et al.	8,820,596	B1	9/2014	Bergquist	
5,647,522	A	7/1997	Routh	D748,918	S	* 2/2016	Majeau	D3/216
D387,198	S	12/1997	Lehmann et al.	D749,316	S	* 2/2016	Lee	D3/217
5,692,660	A	12/1997	Stewart	D772,576	S	* 11/2016	Wu	D3/318
5,706,992	A	1/1998	Moor	D784,685	S	* 4/2017	Newson	D3/217
5,732,867	A	3/1998	Perkins et al.	9,717,322	B1	8/2017	Bergquist	
5,749,503	A	5/1998	Wulf et al.	D802,295	S	* 11/2017	Wu	D3/217
5,765,733	A	6/1998	Brule	D816,990	S	* 5/2018	Naito	D3/267
5,797,529	A	8/1998	Lavine	D817,634	S	* 5/2018	Fusi	D3/217
5,799,851	A	9/1998	Wulf et al.	D821,742	S	* 7/2018	Jusic	D3/217
5,810,223	A	9/1998	Helm	D826,551	S	* 8/2018	Fusi	D3/217
5,819,998	A	10/1998	Chehebar	D829,436	S	* 10/2018	Benzon	D3/217
5,826,770	A	10/1998	Chuang	2002/0040493	A1	4/2002	Wooley et al.	
5,881,932	A	3/1999	Wadden	2002/0113102	A1	8/2002	Klamm	
5,887,770	A	3/1999	Covell	2002/0145018	A1	10/2002	Godshaw et al.	
5,887,777	A	3/1999	Myles et al.	2002/0162718	A1	11/2002	Wu	
5,908,147	A	6/1999	Chuang	2003/0006258	A1	1/2003	Flynn	
5,927,581	A	7/1999	Reddy et al.	2003/0015559	A1	1/2003	Oh	
D412,787	S	8/1999	Young	2003/0042277	A1	3/2003	Gulmatico	
5,964,384	A	10/1999	Young	2003/0057239	A1	3/2003	Godshaw	
D420,792	S	2/2000	Sakelliou et al.	2003/0124948	A1	7/2003	Ostolaza	
6,029,723	A	2/2000	Baquero et al.	2003/0205593	A1	11/2003	Lavelle	
D425,474	S	5/2000	Bergh	2004/0065708	A1	4/2004	Amram	
6,112,959	A	9/2000	Townsend	2004/0094583	A1	5/2004	Bernbaum et al.	
6,129,254	A	10/2000	Yu	2004/0163913	A1	8/2004	Tschudy	
6,134,712	A	10/2000	Spector	2004/0206791	A1	10/2004	Rogers	
6,152,338	A	11/2000	Smith	2005/0000993	A1	1/2005	Moskun	
D435,343	S	12/2000	Eskandry	2005/0023309	A1	2/2005	Haugland	
6,161,738	A	12/2000	Norris	2005/0056668	A1	3/2005	Aris et al.	
6,164,509	A	12/2000	Gausling et al.	2005/0056669	A1	3/2005	Lavelle	
6,174,082	B1	1/2001	Pelky et al.	2005/0072642	A1	4/2005	Sanchez	
6,179,175	B1	1/2001	Painter	2005/0090179	A1	4/2005	Carruth	
6,193,118	B1	2/2001	Kearl	2005/0092802	A1	5/2005	Maley	
D441,190	S	5/2001	Eskandry	2005/0103817	A1	5/2005	Glinkler	
6,230,771	B1	5/2001	Hellenbrand	2005/0173034	A1	8/2005	Antrobus	
D446,009	S	8/2001	Mandell	2005/0194413	A1	9/2005	Baker	
6,305,587	B1	10/2001	Miller	2005/0258294	A1	11/2005	Dickson	
6,336,577	B1	1/2002	Harris et al.	2006/0105137	A1	5/2006	Kouts	
6,394,328	B1	5/2002	Zakarin	2006/0119057	A1	6/2006	Russo	
6,530,507	B2	3/2003	Oh	2007/0125815	A1	6/2007	Tong	
D472,371	S	4/2003	Pomare	2007/0199966	A1	8/2007	Korchmar	
6,592,012	B2	7/2003	Godshaw et al.	2008/0011567	A1	1/2008	Hammond	
6,595,334	B1	7/2003	Saetia	2008/0054031	A1	4/2008	Headley	
6,601,743	B2	8/2003	Godshaw	2008/0116026	A1	5/2008	Bass et al.	
D482,865	S	12/2003	Fair	2009/0071783	A1	3/2009	Nykoluk	
6,655,565	B2	12/2003	Godshaw et al.	2009/0127299	A1	5/2009	Jamlang	
D485,432	S	1/2004	Desrochers	2009/0127307	A1	5/2009	Austwick et al.	
D498,585	S	11/2004	Darling	2009/0173763	A1	7/2009	Bridgeman	
D511,620	S	11/2005	Van Himbeek	2009/0184543	A1	7/2009	Blanarik	
6,968,880	B2	11/2005	Battaglia et al.	2009/0201671	A1	8/2009	Huntley	
6,994,193	B2	2/2006	Saetia	2010/0006613	A1	1/2010	Burns	
D518,956	S	4/2006	Van Himbeek	2010/0072235	A1	3/2010	Barton et al.	
7,086,437	B1	8/2006	Michael	2010/0108726	A1	5/2010	Hilgenberg	
D529,717	S	10/2006	Branchy	2010/0111448	A1	5/2010	Li	
D544,708	S	6/2007	Barker	2010/0127024	A1	5/2010	Cortes	
D545,056	S	6/2007	Leighton	2010/0127025	A1	5/2010	Kelling	
7,395,930	B2	7/2008	Tauchen	2010/0147918	A1	6/2010	Hensley et al.	
7,593,222	B2	9/2009	Zbikowski	2010/0200632	A1	8/2010	Lee	
				2010/0205718	A1	8/2010	Eastep	
				2010/0219221	A1	9/2010	Zheng	
				2010/0243692	A1	9/2010	Sabbah	
				2010/0282809	A1	11/2010	Sciocluna	

(56)

References Cited

U.S. PATENT DOCUMENTS

2010/0284631	A1	11/2010	Lee
2010/0320248	A1	12/2010	Uimonen
2012/0018477	A1	1/2012	Inouye
2012/0111912	A1	5/2012	Zheng
2012/0240521	A1	9/2012	Johnson
2017/0049201	A1*	2/2017	Moreau A45C 13/103

FOREIGN PATENT DOCUMENTS

FR	983806	6/1951
FR	1102369	10/1955
GB	188146	9/1921
GB	424204	2/1935
GB	1099200	1/1968
JP	1514098	11/2014
KR	30-0843469	3/2016

OTHER PUBLICATIONS

Austin Convertible Bag: The Best Backpack & Briefcase—Now on IndieGogo (Also for Vegans), posted at youtube.com, posted Jun. 8, 2018, online, URL:<https://www.youtube.com/watch?v=jqrmWz0Xleg> (Year: 2018).*

Tumi, Inc., “Dror Brief,” © MMXII Tumi, Inc., at least as early as Oct. 1, 2012, 2 pages, <http://m.tumi.com/product/index.%20isp?productId=12559544>.

Machine Translation of 30-0843469 (using Google translate), “KR-30-0843469” (dated Mar. 15, 2016), Korea, translation performed on Jan. 8, 2019, 6 pages.

Machine Translation of JP1514098 (using Google translate), “JP1514098” (dated Nov. 21, 2014), Japan, translation performed on Jan. 8, 2019, 5 pages.

* cited by examiner

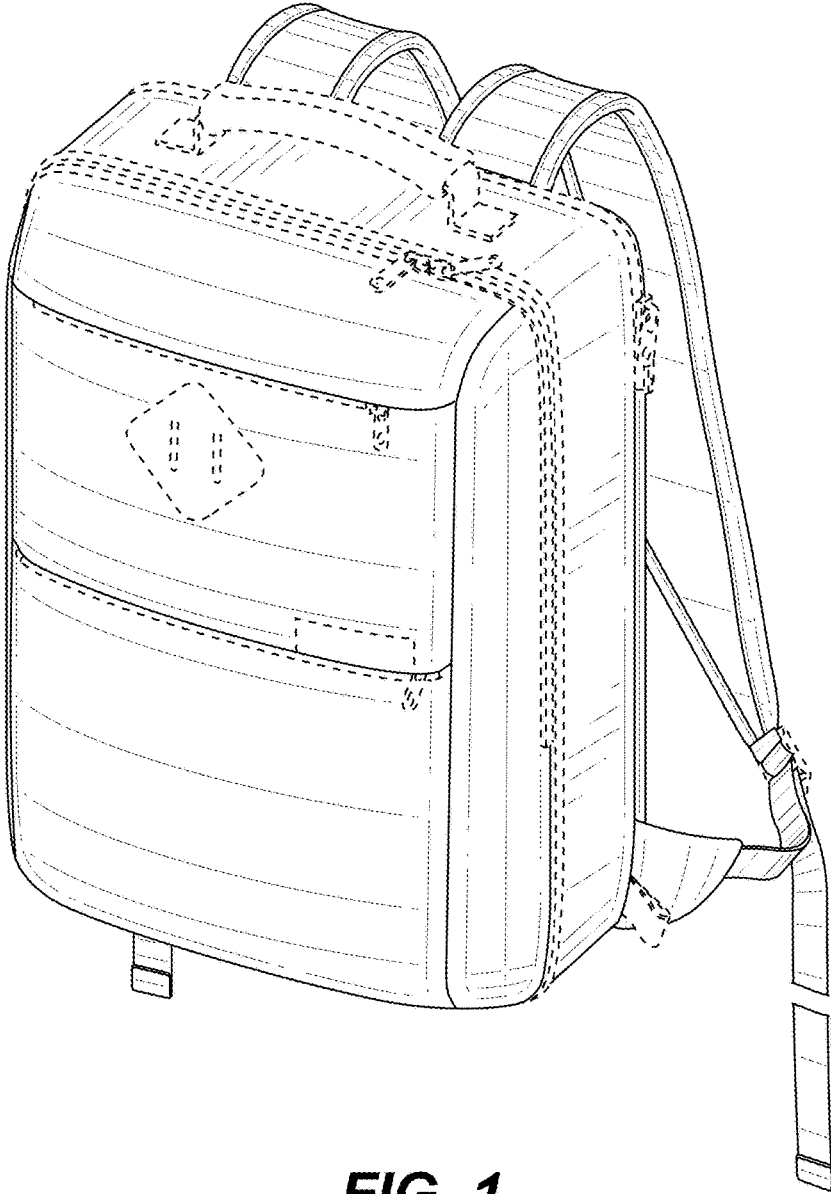


FIG. 1

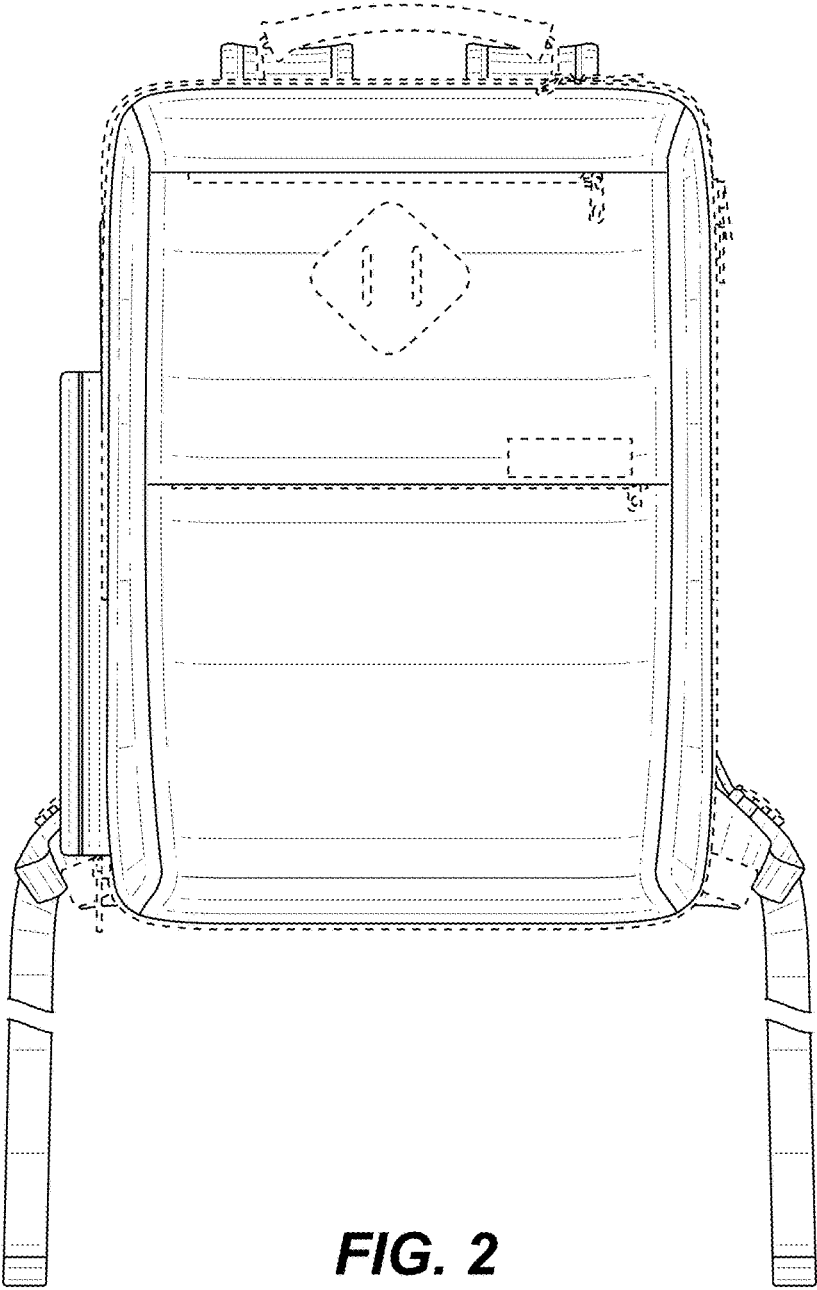


FIG. 2

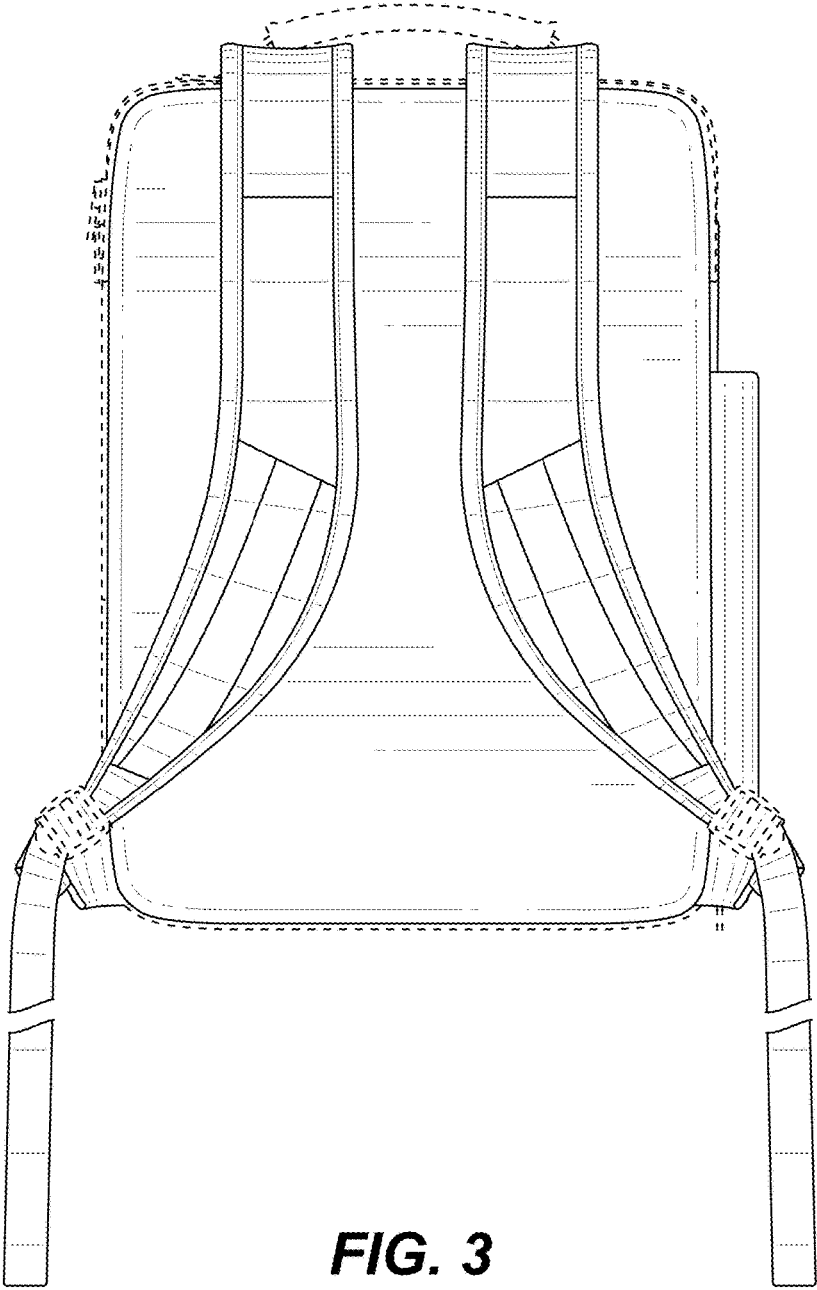


FIG. 3

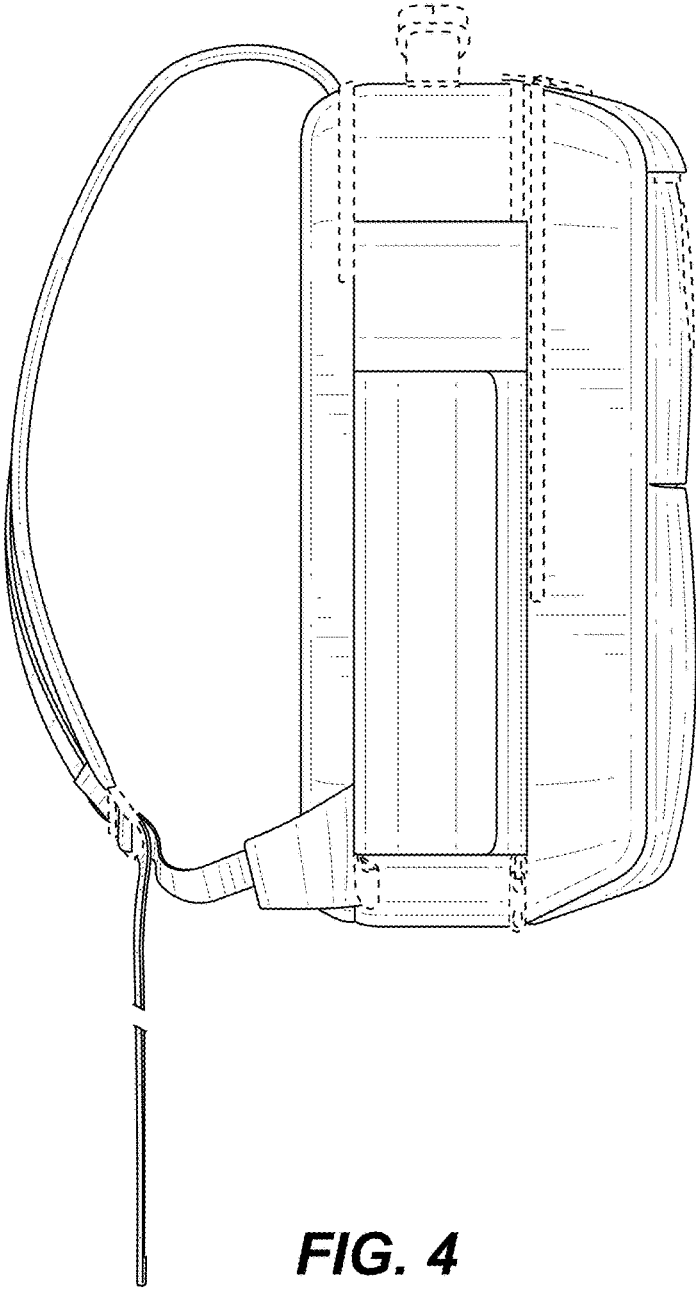


FIG. 4

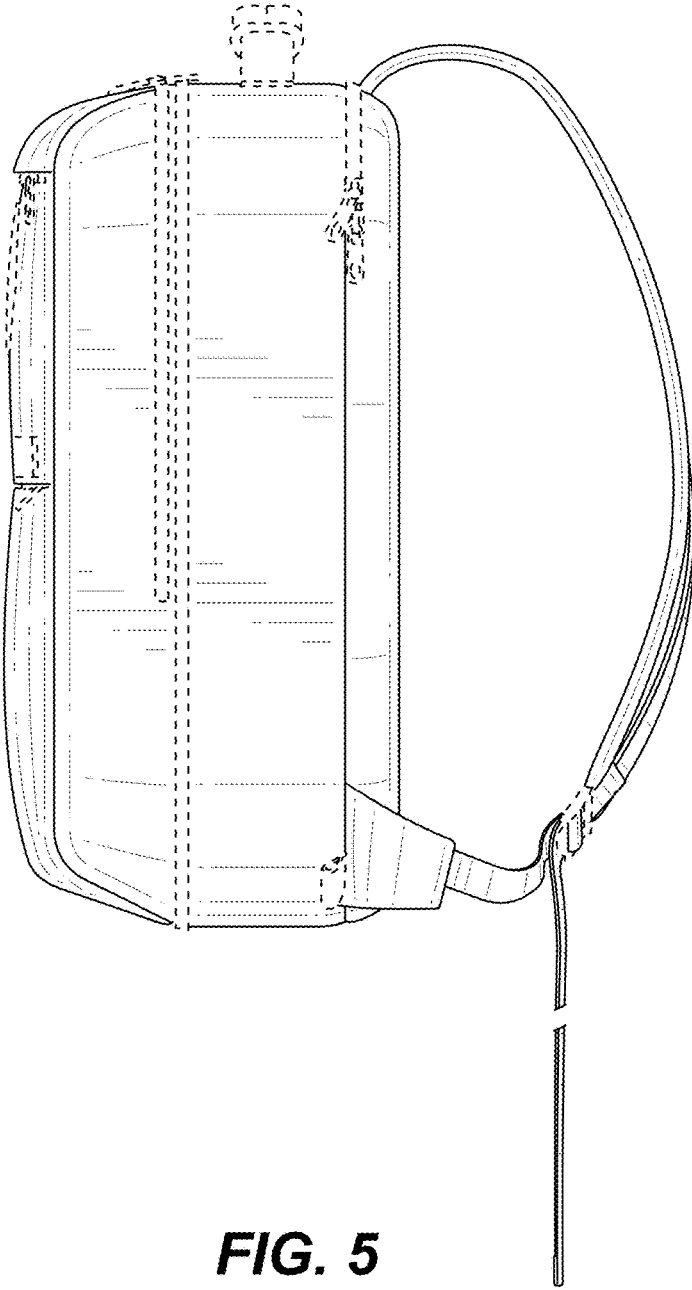


FIG. 5

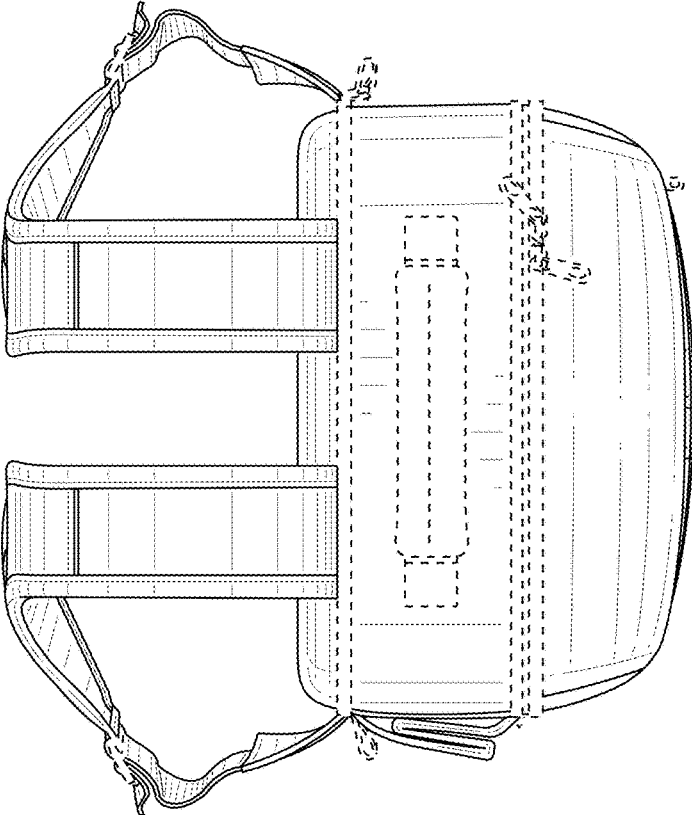


FIG. 6

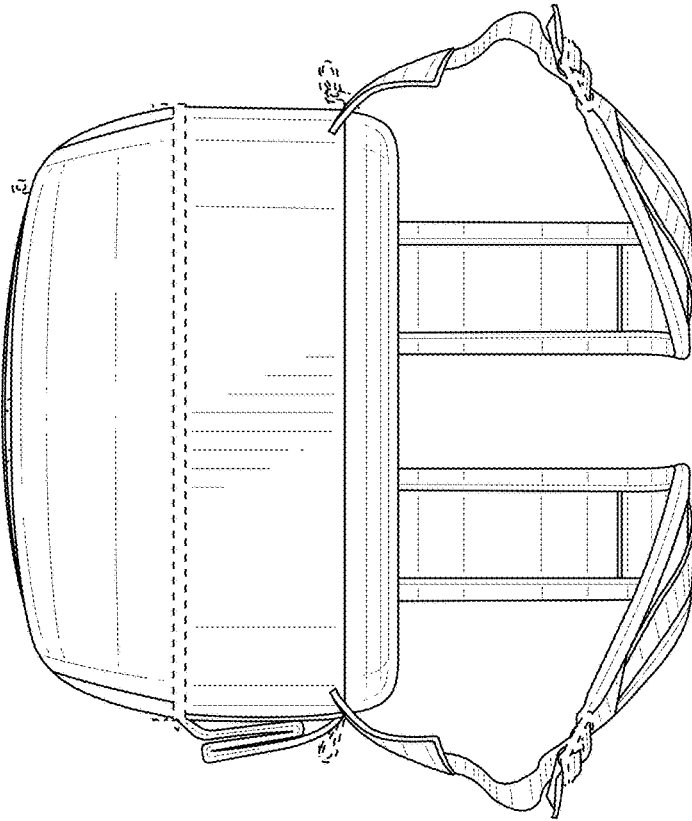


FIG. 7