



US00D675860S

(12) **United States Design Patent**
Tonelli et al.

(10) **Patent No.:** **US D675,860 S**

(45) **Date of Patent:** **** Feb. 12, 2013**

(54) **COFFEE MAKER**

(75) Inventors: **Stefano Tonelli**, Gaggio Montano (IT);
Massimo Lelli, Gaggio Montano (IT)

(73) Assignee: **Koninklijke Philips Electronics N.V.**,
Eindhoven (NL)

(**) Term: **14 Years**

(21) Appl. No.: **29/406,009**

(22) Filed: **Nov. 9, 2011**

(30) **Foreign Application Priority Data**

May 9, 2011 (EM) 001860693-0002

(51) **LOC (9) Cl.** **07-01**

(52) **U.S. Cl.** **D7/309; D7/311**

(58) **Field of Classification Search** D7/309-311,
D7/306, 300; 99/323.3, 306, 293, 297, 305,
99/309, 311

See application file for complete search history.

(56) **References Cited**

U.S. PATENT DOCUMENTS

D526,524 S * 8/2006 Jordana D7/309
D526,828 S * 8/2006 Jordana D7/309

D563,143 S * 3/2008 Tonelli D7/306
D592,901 S * 5/2009 Speh D7/309
D595,991 S * 7/2009 Zimmermann D7/307
D642,415 S * 8/2011 Novelli D7/309
D645,695 S * 9/2011 Zoppellari D7/309
D646,108 S * 10/2011 Zoppellari D7/309
D646,109 S * 10/2011 Zoppellari D7/309
D646,518 S * 10/2011 De' Longhi D7/309
D648,973 S * 11/2011 De' Longhi D7/309

* cited by examiner

Primary Examiner — Marianne Pandozzi

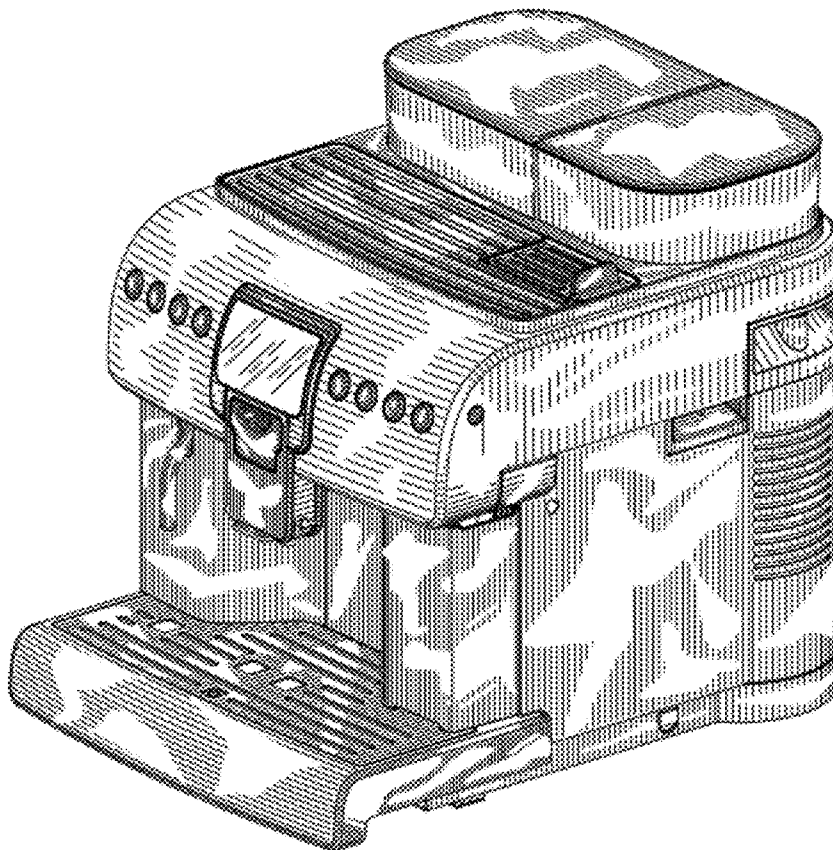
(57) **CLAIM**

The ornamental design for a coffee maker, as shown.

DESCRIPTION

FIG. 1 is a perspective view showing my design;
FIG. 2 is a front elevational view thereof;
FIG. 3 is a rear elevational view thereof;
FIG. 4 is a right side elevational view thereof;
FIG. 5 is a left side elevational view thereof;
FIG. 6 is a top plan view thereof; and,
FIG. 7 is a bottom plan view thereof.
The broken lines in the drawings are included for the purpose
of illustration and form no part of the claimed design.

1 Claim, 5 Drawing Sheets



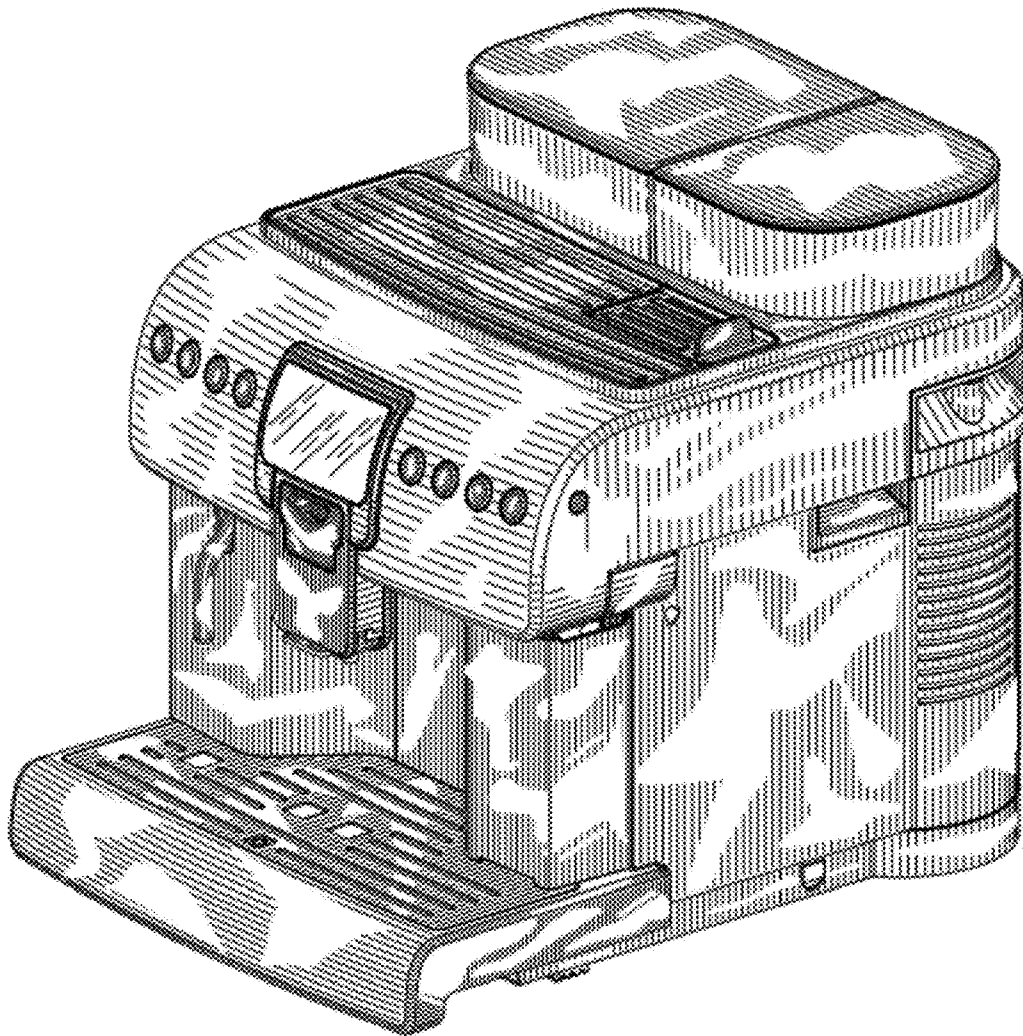


FIG. 1

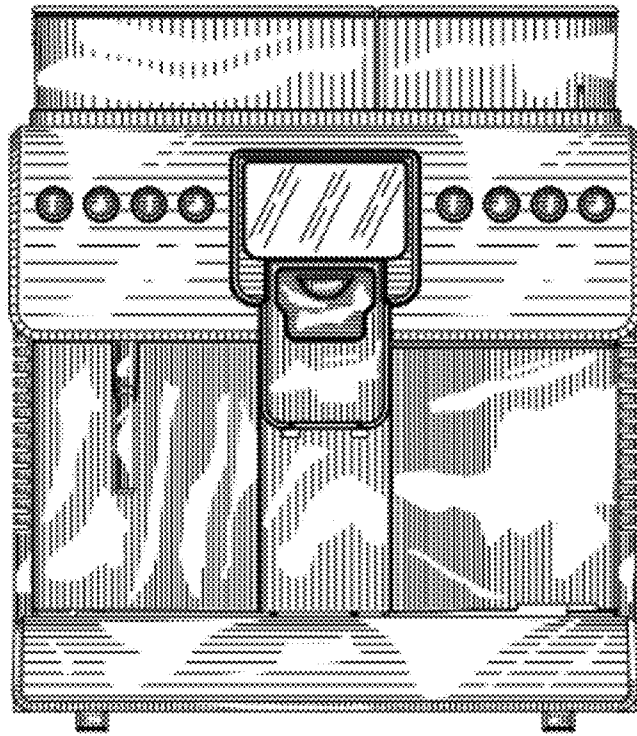


FIG. 2

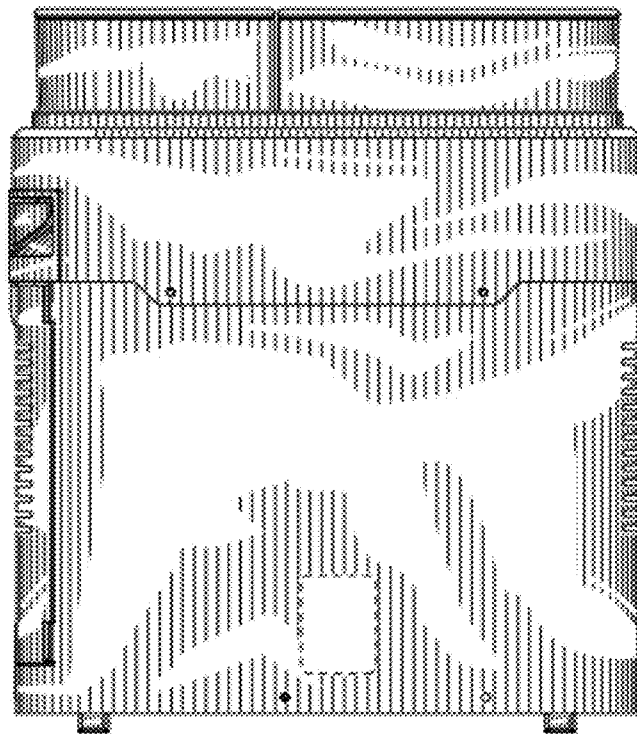


FIG. 3

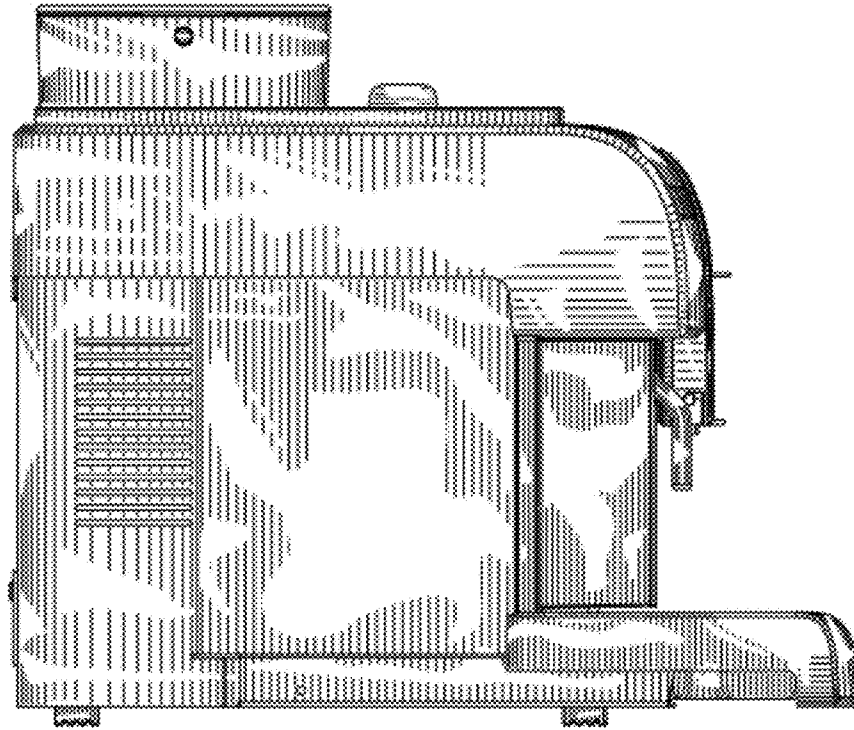


FIG. 4

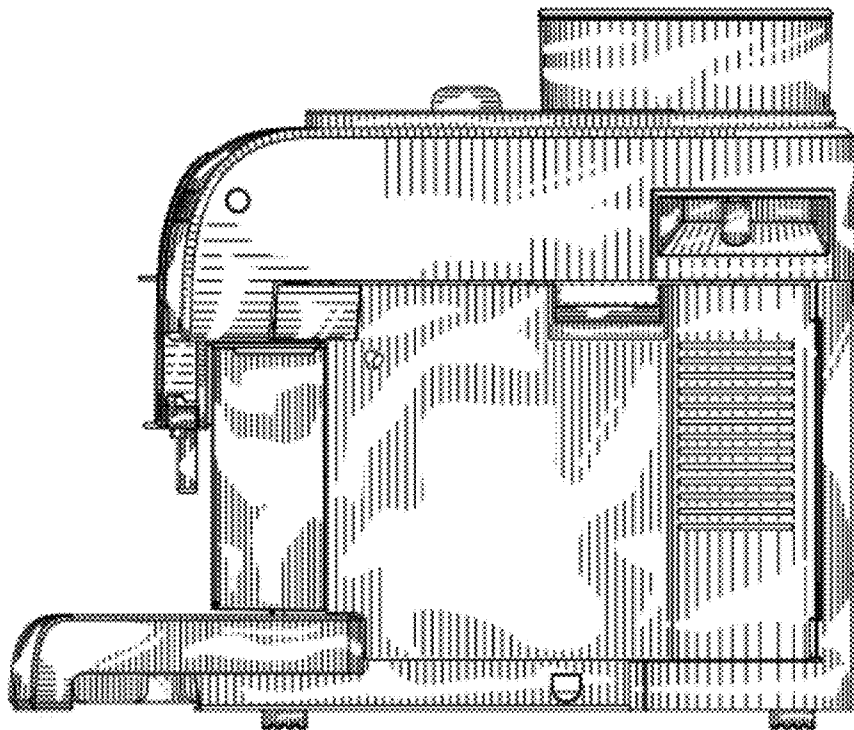


FIG. 5

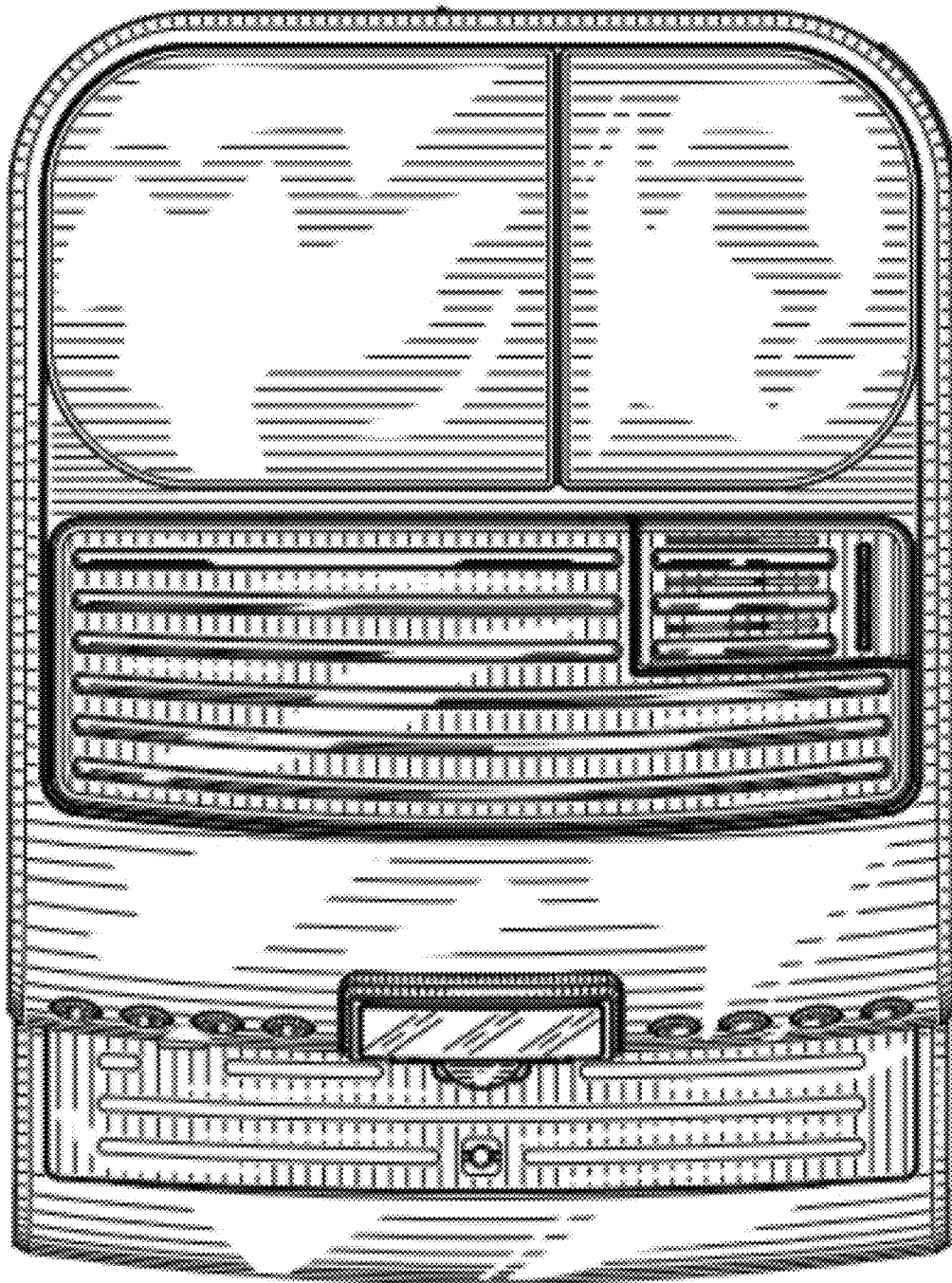


FIG.6

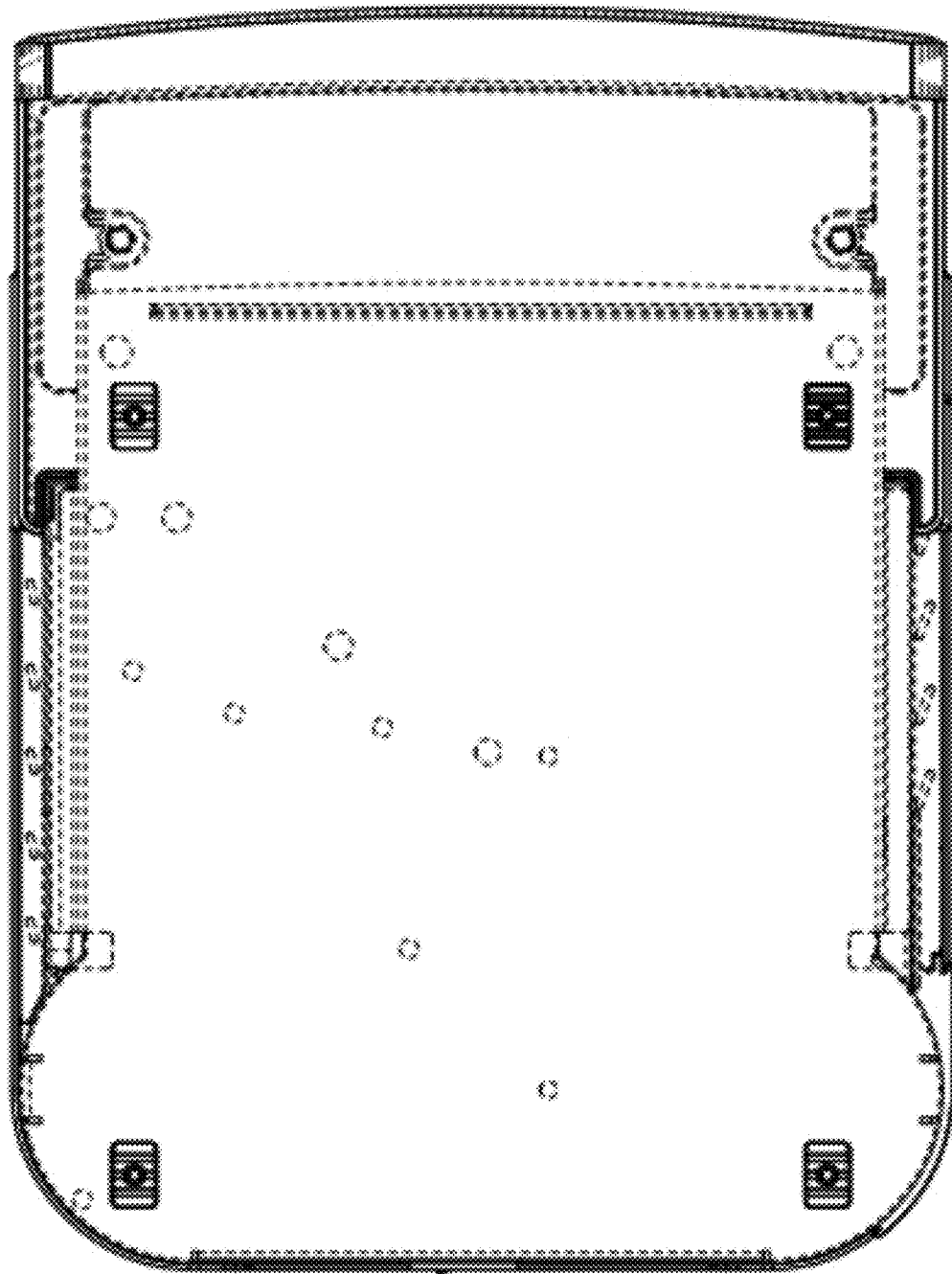


FIG.7