



US00D525508S

(12) **United States Design Patent**
Leonard, II

(10) **Patent No.:** **US D525,508 S**

(45) **Date of Patent:** **** Jul. 25, 2006**

(54) **HAND SANDER**

(75) Inventor: **Mitchell M. Leonard, II**, Fayetteville,
AR (US)

(73) Assignee: **Marshalltown Company**,
Marshalltown, IA (US)

(**) Term: **14 Years**

(21) Appl. No.: **29/230,224**

(22) Filed: **May 18, 2005**

(51) **LOC (8) Cl.** **08-05**

(52) **U.S. Cl.** **D8/90**

(58) **Field of Classification Search** D8/90,
D8/94, 45, 107; 451/514, 518, 523, 524,
451/525

See application file for complete search history.

(56) **References Cited**

U.S. PATENT DOCUMENTS

4,071,983 A	*	2/1978	Thielen	451/525
D278,790 S	*	5/1985	Chaney et al.	D8/14
D310,012 S	*	8/1990	Henke et al.	D8/90
D310,013 S	*	8/1990	Watson	D8/90
D344,003 S	*	2/1994	Milkie	D8/90

5,283,988 A	*	2/1994	Brown	451/524
D453,672 S	*	2/2002	McCoy	D8/90
6,406,365 B1	*	6/2002	Ueno	451/523
D462,597 S	*	9/2002	Deshler	D8/90
D474,389 S	*	5/2003	Panfili et al.	D8/90
6,719,620 B1	*	4/2004	Panfili et al.	451/557
6,899,608 B1	*	5/2005	Huang	451/356

* cited by examiner

Primary Examiner—Philip S. Hyder

(74) *Attorney, Agent, or Firm*—Shook, Hardy & Bacon
LLP

(57) **CLAIM**

The ornamental design for a hand sander, as shown and described.

DESCRIPTION

FIG. 1 is a perspective view of a hand sander, showing my new design;

FIG. 2 is a top plan view thereof;

FIG. 3 is a left-side elevational view thereof;

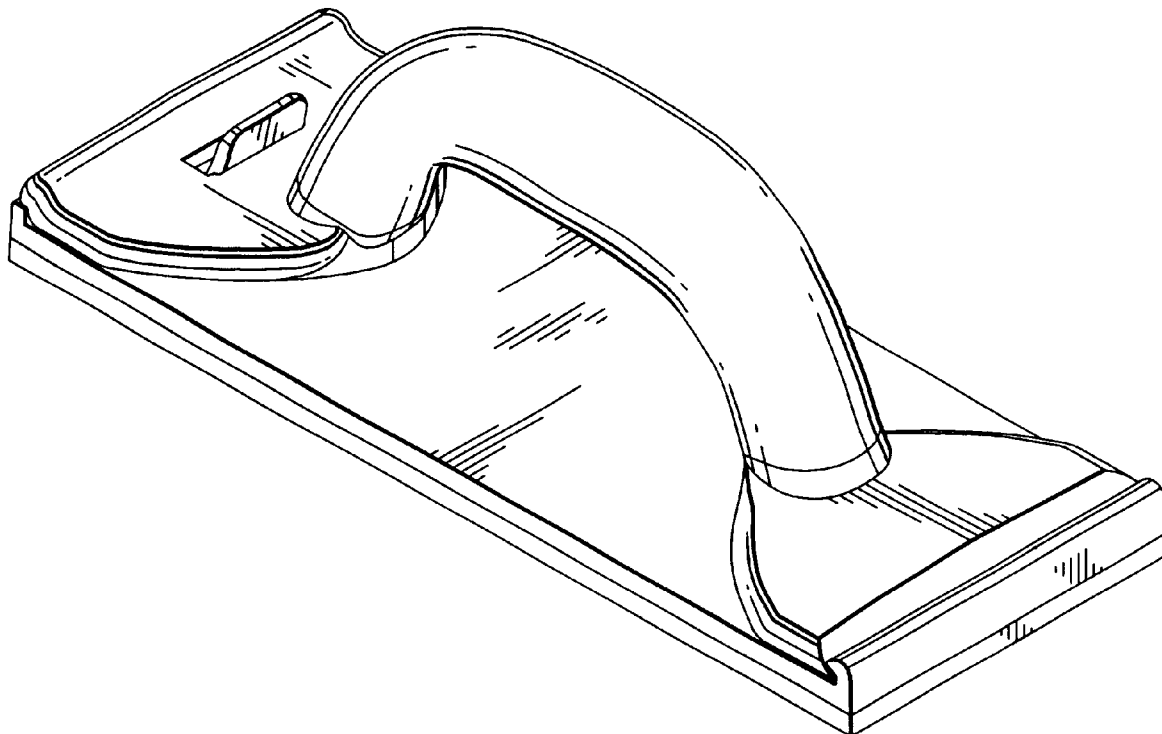
FIG. 4 is a right-side elevational view thereof;

FIG. 5 is a front elevational view thereof;

FIG. 6 is a back elevational view thereof; and,

FIG. 7 is a bottom plan view thereof.

1 Claim, 2 Drawing Sheets



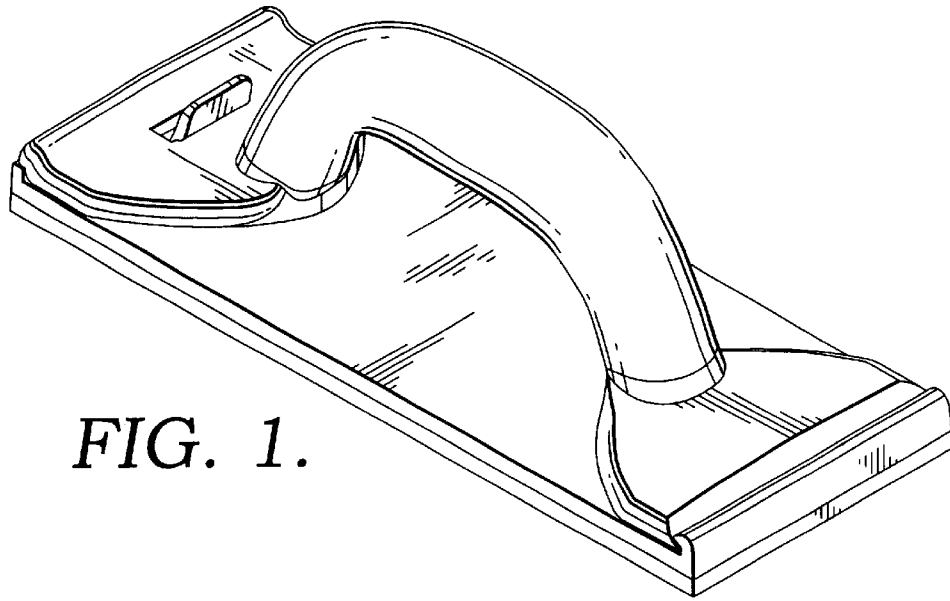


FIG. 1.

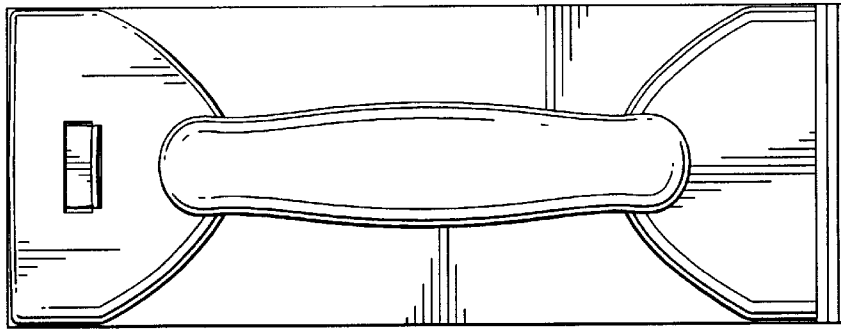


FIG. 2.

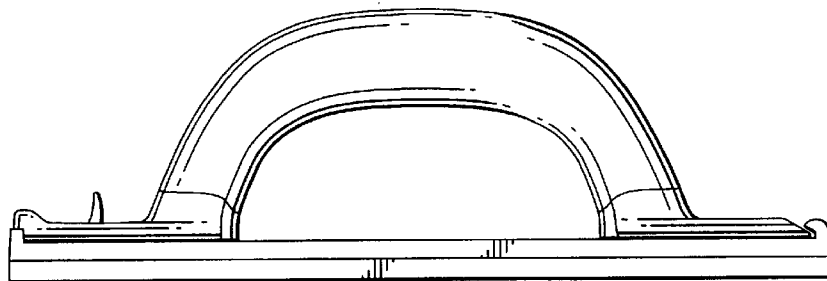


FIG. 3.

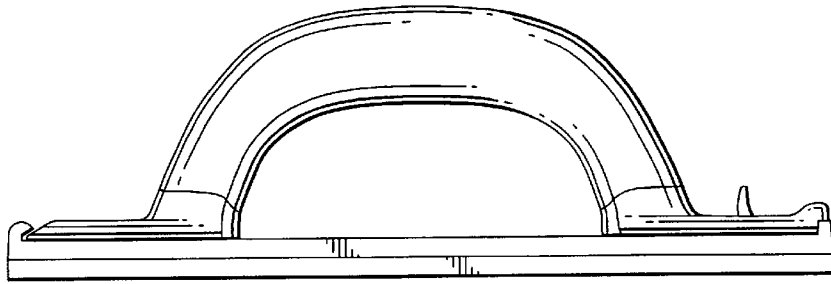


FIG. 4.

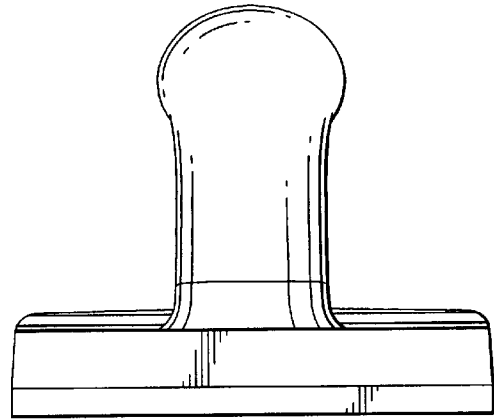


FIG. 5.

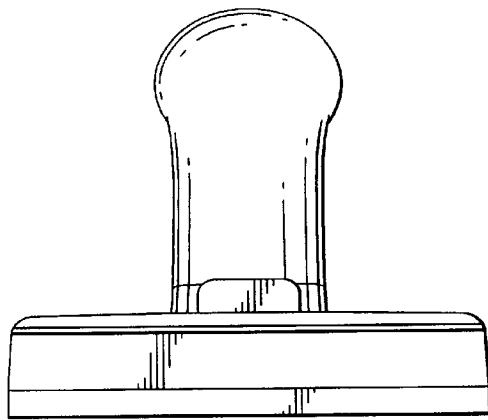


FIG. 6.

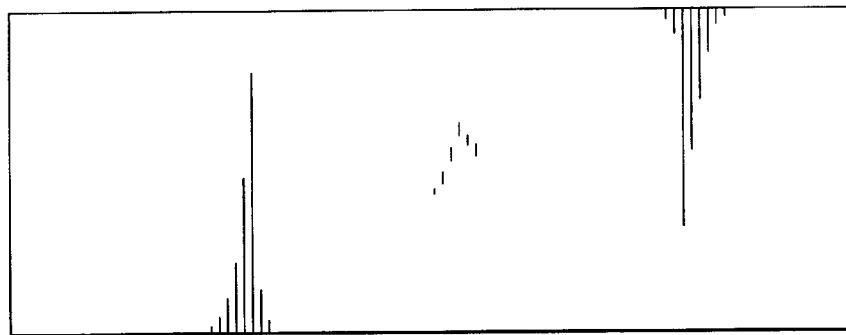


FIG. 7.