

(19) World Intellectual Property Organization
International Bureau



(43) International Publication Date
15 June 2006 (15.06.2006)

PCT

(10) International Publication Number
WO 2006/063347 A3

(51) International Patent Classification:
A61F 5/00 (2006.01)

[US/US]; 520 W. 5th Street, Apartment #914, Charlotte, NC 28202 (US).

(21) International Application Number:
PCT/US2005/044903

(74) Agents: TILLMAN, Chad, D. et al.; Tillman Ivsan, PLLC, P.O. Box 471581, Charlotte, NC 28247 (US).

(22) International Filing Date:
12 December 2005 (12.12.2005)

(81) Designated States (unless otherwise indicated, for every kind of national protection available): AE, AG, AL, AM, AT, AU, AZ, BA, BB, BG, BR, BW, BY, BZ, CA, CH, CN, CO, CR, CU, CZ, DE, DK, DM, DZ, EC, EE, EG, ES, FI, GB, GD, GE, GH, GM, HR, HU, ID, IL, IN, IS, JP, KE, KG, KM, KN, KP, KR, KZ, LC, LK, LR, LS, LT, LU, LV, LY, MA, MD, MG, MK, MN, MW, MX, MZ, NA, NG, NI, NO, NZ, OM, PG, PH, PL, PT, RO, RU, SC, SD, SE, SG, SK, SL, SM, SY, TJ, TM, TN, TR, TT, TZ, UA, UG, US, UZ, VC, VN, YU, ZA, ZM, ZW.

(25) Filing Language: English

(26) Publication Language: English

(30) Priority Data:
60/635,332 10 December 2004 (10.12.2004) US
11/164,954 12 December 2005 (12.12.2005) US

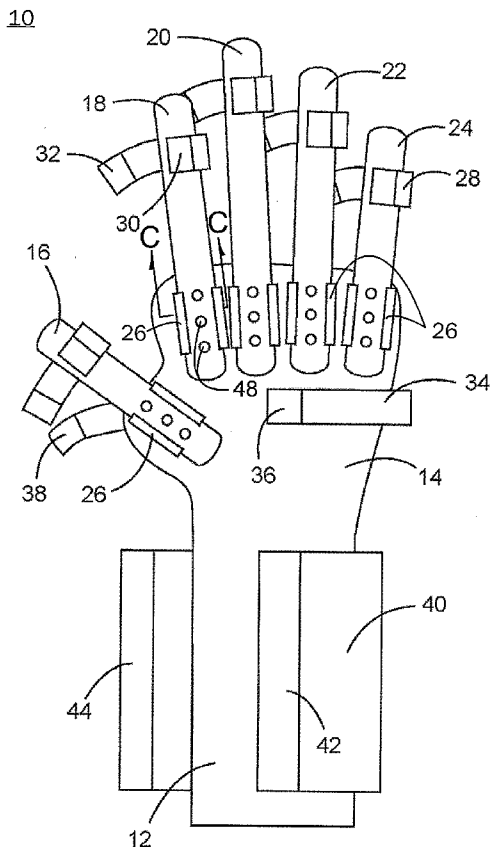
(71) Applicant (for all designated States except US): SAEBO, INC. [US/US]; Six Lakepointe Plaza, 2725 Water Ridge Parkway, Suite 320, Charlotte, North Carolina 28217 (US).

(84) Designated States (unless otherwise indicated, for every kind of regional protection available): ARIPO (BW, GH, GM, KE, LS, MW, MZ, NA, SD, SL, SZ, TZ, UG, ZM, ZW), Eurasian (AM, AZ, BY, KG, KZ, MD, RU, TJ, TM), European (AT, BE, BG, CH, CY, CZ, DE, DK, EE, ES, FI, FR, GB, GR, HU, IE, IS, IT, LT, LU, LV, MC, NL, PL, PT,

(72) Inventors; and
(75) Inventors/Applicants (for US only): FARRELL, John, Fletcher [US/US]; 2725 Water Ridge Parkway, Suite 320, Charlotte, NC 28217 (US). HOFFMAN, Henry, B.

[Continued on next page]

(54) Title: DYNAMIC HAND SPLINTS



(57) Abstract: A dynamic hand splint includes as elements thereof; a forearm support section and a hand support section that are configured to be releasably attached to a forearm; and one or more finger tensioners that are releasably attached to the hand support section and that are configured to be releasably attached to a respective finger such that, when the finger is flexed from an extended position toward a flexed position, the finger is urged by the finger tensioner toward an extended position. A method includes: attaching a forearm support section and a hand support section to a forearm; attaching finger tensioners to the hand support section; and attaching each of the finger tensioners to a respective finger such that, when the finger is flexed from an extended position toward a flexed position, the finger is urged by the finger tensioner toward an extended position.

WO 2006/063347 A3



RO, SE, SI, SK, TR), OAPI (BF, BJ, CF, CG, CI, CM, GA, GN, GQ, GW, ML, MR, NE, SN, TD, TG).

(88) Date of publication of the international search report:
19 April 2007

Published:

- with international search report
- before the expiration of the time limit for amending the claims and to be republished in the event of receipt of amendments

For two-letter codes and other abbreviations, refer to the "Guidance Notes on Codes and Abbreviations" appearing at the beginning of each regular issue of the PCT Gazette.

INTERNATIONAL SEARCH REPORT

International application No.

PCT/US05/44903

A. CLASSIFICATION OF SUBJECT MATTER

IPC: A61F 5/00(2006.01)

USPC: 128/878,879;602/20-22

According to International Patent Classification (IPC) or to both national classification and IPC

B. FIELDS SEARCHED

Minimum documentation searched (classification system followed by classification symbols)

U.S. : 128/878, 879; 602/20-22

Documentation searched other than minimum documentation to the extent that such documents are included in the fields searched

Electronic data base consulted during the international search (name of data base and, where practicable, search terms used)

C. DOCUMENTS CONSIDERED TO BE RELEVANT

Category *	Citation of document, with indication, where appropriate, of the relevant passages	Relevant to claim No.
X,E	U.S. Patent No. 7,001,362 (FARRELL et al) 21 February 2006 (21.02.2006), see entire document.	1-58
X	US 5,875,469 (BROOK et al) 24 October 1989 (24.10.1989), see entire document.	1-58

Further documents are listed in the continuation of Box C.

See patent family annex.

* Special categories of cited documents:

"A"	document defining the general state of the art which is not considered to be of particular relevance	"T"	later document published after the international filing date or priority date and not in conflict with the application but cited to understand the principle or theory underlying the invention
"E"	earlier application or patent published on or after the international filing date	"X"	document of particular relevance; the claimed invention cannot be considered novel or cannot be considered to involve an inventive step when the document is taken alone
"L"	document which may throw doubts on priority claim(s) or which is cited to establish the publication date of another citation or other special reason (as specified)	"Y"	document of particular relevance; the claimed invention cannot be considered to involve an inventive step when the document is combined with one or more other such documents, such combination being obvious to a person skilled in the art
"O"	document referring to an oral disclosure, use, exhibition or other means	"&"	document member of the same patent family
"P"	document published prior to the international filing date but later than the priority date claimed		

Date of the actual completion of the international search

04 August 2006 (04.08.2006)

Date of mailing of the international search report

22 FEB 2007

Name and mailing address of the ISA/US

Mail Stop PCT, Attn: ISA/US
Commissioner of Patents
P.O. Box 1450
Alexandria, Virginia 22313-1450

Facsimile No. (571) 273-3201

Authorized officer

Patriera Bianco

Telephone No. 571-272-3750