



US00D680208S

(12) **United States Design Patent**
Gordon

(10) **Patent No.:** **US D680,208 S**

(45) **Date of Patent:** **** Apr. 16, 2013**

(54) **DISPENSER DEVICE**

(75) Inventor: **William F. Gordon**, Chicago, IL (US)

(73) Assignee: **S. C. Johnson and Son, Inc.**, Racine, WI (US)

(**) Term: **14 Years**

(21) Appl. No.: **29/414,980**

(22) Filed: **Mar. 6, 2012**

(30) **Foreign Application Priority Data**

Sep. 9, 2011 (EP) 001292627

(51) **LOC (9) Cl.** **28-99**

(52) **U.S. Cl.**
USPC **D23/366**

(58) **Field of Classification Search** D23/355-369;
D28/5, 6; 261/DIG. 17, DIG. 42, DIG. 65,
261/DIG. 88, DIG. 89, DIG. 47, DIG. 55,
261/DIG. 70; 392/356, 390, 392, 394, 395;
239/34, 44, 53, 55, 56, 326, 60, 308

See application file for complete search history.

(56) **References Cited**

U.S. PATENT DOCUMENTS

D172,850 S	8/1954	Van Koert	
D172,852 S	8/1954	Van Koert	
D196,455 S	10/1963	Stern	
D204,707 S	5/1966	Abbott	
D214,829 S	8/1969	Muscatiello	
D310,480 S	9/1990	Geiger	
D323,292 S	1/1992	Jones	
D332,488 S *	1/1993	Martin	D23/367
D345,848 S	4/1994	May et al.	
5,358,147 A *	10/1994	Adams et al.	222/183
D357,085 S	4/1995	Ratia	
D362,646 S	9/1995	Rahr	
D362,647 S	9/1995	Rahr	

(Continued)

FOREIGN PATENT DOCUMENTS

AU	127544	8/1996
AU	140650	5/2000

(Continued)

OTHER PUBLICATIONS

Martin Freeman, Vase, White earthenware with high-fire glaze inside (1949) The Museum of Modern Art <http://www.moma.org/collection/object.php?object_id=3881>, accessed Jun. 21, 2010.

(Continued)

Primary Examiner — Sandra Snapp

(74) *Attorney, Agent, or Firm* — Quarles & Brady LLP

(57) **CLAIM**

The ornamental design for a dispenser device, as shown and described.

DESCRIPTION

FIG. 1 is an isometric view of a rear, top, and left side of an ornamental design for a dispenser device;

FIG. 2 is a rear elevational view of the dispenser device of FIG. 1;

FIG. 3 is a front elevational view of the dispenser device of FIG. 1;

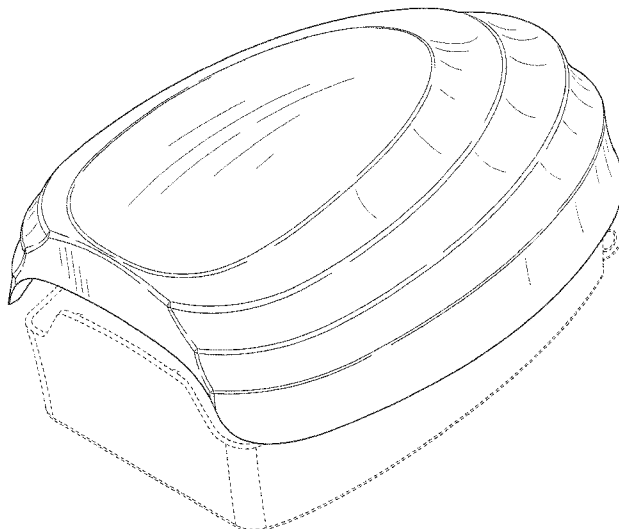
FIG. 4 is a right side elevational view of the dispenser device of FIG. 1, wherein the left side elevational view is a mirror image of the right side elevational view;

FIG. 5 is a top plan view of the dispenser device of FIG. 1; and,

FIG. 6 is a bottom plan view of the dispenser of FIG. 1.

The broken lines are for the purpose of illustrating environmental structure and form no part of the claimed design.

1 Claim, 4 Drawing Sheets



US D680,208 S

U.S. PATENT DOCUMENTS

D363,225 S	10/1995	Kudo	
D364,990 S	12/1995	Fonville	
D392,032 S	3/1998	Zaragoza	
D393,202 S	4/1998	Bertolini et al.	
D397,037 S	8/1998	Negre	
D400,800 S	11/1998	Bertolini et al.	
D410,096 S	5/1999	Majerowski	
D424,471 S	5/2000	Souris	
D425,190 S	* 5/2000	Morikawa	D23/366
D425,220 S	5/2000	Klett et al.	
D433,773 S	11/2000	Gavin	
D434,667 S	12/2000	Gobe	
D441,640 S	5/2001	Reinoso	
D450,395 S	11/2001	Bellenger	
D457,062 S	5/2002	Lloyd	
D468,423 S	1/2003	Renfrew	
D470,971 S	2/2003	Vegliante	
D472,148 S	3/2003	Dowd	
D475,282 S	6/2003	Snaith et al.	
D477,535 S	7/2003	Thorpe	
D478,379 S	* 8/2003	Talenton et al.	D23/366
D484,418 S	12/2003	Diete	
D486,065 S	2/2004	Hutchinson et al.	
D488,548 S	* 4/2004	Lablaine	D23/366
D491,798 S	* 6/2004	Buthier	D23/366
D496,279 S	9/2004	Hama et al.	
D496,451 S	9/2004	Julos et al.	
D498,970 S	11/2004	Huang	
D509,894 S	9/2005	Hoyt et al.	
D510,030 S	9/2005	Storz et al.	
D512,938 S	12/2005	Morris et al.	
D513,479 S	1/2006	Behrens	
D515,927 S	2/2006	Smay et al.	
D519,376 S	4/2006	Ames	
D523,947 S	* 6/2006	Lablaine	D23/366
D525,131 S	7/2006	Davies et al.	
D525,531 S	7/2006	Bansal	
D535,004 S	1/2007	Furner et al.	
D538,668 S	3/2007	Campbell et al.	
D538,915 S	3/2007	Anderson et al.	
D539,892 S	4/2007	Caserta et al.	
D539,972 S	4/2007	Layne	
D539,973 S	4/2007	Layne	
D542,707 S	5/2007	Kolokotronis et al.	
D546,122 S	7/2007	Gluck	
D546,267 S	* 7/2007	Burchett et al.	D12/221
D548,317 S	8/2007	Newton et al.	
D559,434 S	1/2008	Morris et al.	
D560,017 S	1/2008	Morris et al.	
D560,018 S	1/2008	Morris et al.	
D561,318 S	2/2008	Naksen et al.	
D561,884 S	2/2008	Furner et al.	
D561,886 S	2/2008	Furner et al.	
RE40,392 E	6/2008	Rymer et al.	
D572,860 S	7/2008	Demarest et al.	
D574,199 S	8/2008	Griffith et al.	
D575,103 S	8/2008	Gluck	
D576,039 S	9/2008	Bradley et al.	
D581,279 S	11/2008	Oates	
D582,063 S	12/2008	Spangler et al.	
D582,537 S	12/2008	Kay et al.	
D582,580 S	12/2008	Spangler et al.	
D583,038 S	12/2008	Kay et al.	
D583,039 S	12/2008	Kay et al.	
D583,453 S	12/2008	Kay et al.	
D583,454 S	12/2008	Kay et al.	
D583,455 S	12/2008	Kay et al.	
D583,457 S	12/2008	Kay et al.	
D586,606 S	2/2009	Ma et al.	
D587,127 S	2/2009	Moreira et al.	
D588,687 S	3/2009	Drucker et al.	
D595,829 S	7/2009	Drucker et al.	
D597,192 S	7/2009	Drucker et al.	
D604,622 S	11/2009	Bohache et al.	
D607,553 S	1/2010	Roller	
D609,096 S	2/2010	Floyd	
D610,910 S	3/2010	Simmons et al.	
D611,348 S	3/2010	Handy et al.	

D613,844 S	4/2010	Jørgensen
D614,277 S	4/2010	Hsiao
D629,880 S	12/2010	Hisey
D632,771 S	2/2011	Abbondanzio et al.
D632,772 S	2/2011	Abbondanzio et al.
D637,274 S	5/2011	Chan et al.
D646,768 S	10/2011	Chan et al.
D647,187 S	10/2011	Chan et al.
D654,761 S	2/2012	Herbst

FOREIGN PATENT DOCUMENTS

AU	307763	7/2006
AU	307764	7/2006
AU	311318	11/2006
AU	329382	1/2010
AU	329383	1/2010
AU	330784	5/2010
AU	330785	5/2010
AU	330786	5/2010
AU	330787	5/2010
AU	330788	5/2010
AU	330809	5/2010
AU	342910	5/2010
AU	304152	7/2010
CA	124156	1/2008
CN	200930290969.7	1/2010
CN	201030100217.2	6/2010
CN	201130414364.1	6/2010
CN	201130496329.9	6/2010
CN	200930082557.4	7/2010
CN	200930373309.8	7/2010
CN	200930383924.4	7/2010
CN	200930342489.0	8/2010
CN	201030148641.4	8/2010
CN	200930086662.5	9/2010
CN	201030103862.X	9/2010
CN	201030109104.9	9/2010
CN	201030138857.2	10/2010
CN	201030143618.6	10/2010
CN	200930382824.X	11/2010
CN	200930680610.0	11/2010
CN	201030138853.4	11/2010
CN	201030171816.3	11/2010
CN	201030184791.0	11/2010
CN	201030226501.4	11/2010
CN	201030161835.8	12/2010
CN	201030171836.0	12/2010
CN	201030181917.9	12/2010
CN	201030214528.1	12/2010
CN	201030237622.9	12/2010
CN	201030267482.X	1/2011
CN	201030289358.3	1/2011
CN	201030516390.0	4/2011
CN	201030560294.6	4/2011
CN	201030560327.7	4/2011
CN	201030633995.8	5/2011
CN	201030680263.4	5/2011
CN	201030200021.0	6/2011
CN	201030702441.9	6/2011
CN	201130002156.0	6/2011
CN	201130494692.7	7/2011
CN	201130071774.0	8/2011
CN	201030690438	10/2011
CN	201130218453.9	11/2011
CN	201130257952.9	1/2012
CN	201130269639.7	2/2012
CN	201130269784.5	2/2012
CN	201130416451.0	2/2012
CN	201130270189.3	3/2012
CN	201130331821.0	3/2012
CN	201130340079	3/2012
CN	201130340336.X	3/2012
CN	201130359306.3	3/2012
CN	201130376816.1	5/2012
CN	201130384353.3	5/2012
CN	201130407139.5	5/2012
CN	201130494499.3	5/2012
CN	201130414365.6	6/2012
CN	201130435595.0	6/2012

US D680,208 S

Page 3

CN	2011304944870.0	6/2012
CN	201130400425.9	7/2012
CN	201130420669.3	7/2012
CN	201130475470.0	7/2012
CN	201230001436.4	7/2012
CN	201030148645.2	12/2012
DE	D026998-001	8/1993
DE	D046794-002	1/1999
DE	000122254-0001	4/2004
DE	DM066604 - 15.1	3/2005
DE	DM066604 - 15.2	3/2005
DE	40504367-0016	3/2006
DE	00417779-0001	3/2007
DE	000417779-0002	3/2007
DE	000592902-0004	1/2008
EM	DM046795	1/1999
EM	000573357-0003	8/2006
EM	000603030-0001	12/2006
EM	002015495-0002	3/2007
EM	000792627-0003	9/2007
EM	000792627-0004	9/2007
EM	000792627-0005	9/2007
EM	000792635-0006	9/2007
EM	000814355-0001	10/2007
EM	000814355-0002	10/2007
EM	000814355-0003	10/2007
EM	000792627-0006	2/2008
EM	000904800-0002	3/2008
EM	000904800-0003	3/2008
EM	000910534-0001	3/2008
EM	000898937-0004	9/2008
EM	001171656-0003	10/2009
EM	001171656-0004	10/2009
EM	001651746-0001	12/2009
EM	DM073467	2/2010
EM	001178740-0003	3/2010
EM	001189740-0001	3/2010
EM	001742420-0001	8/2010
EM	001957986-0001	5/2011
EM	001209217-0004	2/2012
EM	002051417-0001	6/2012
EP	2111875	10/2009
FR	052778-001	8/2005
GB	2025348	12/1992
GB	2054115	5/1996
GB	2085750	10/1999
GB	3001508	3/2002
GB	3012588	5/2003
GB	3013597	7/2003
JP	D1030505	1/1999
JP	D1076857	7/2000
JP	D1084122	9/2000
JP	D102519	3/2001
JP	D1103647	3/2001
JP	D1108509	5/2001
JP	D111977	6/2001
JP	D1131029	1/2002
JP	D1231223	2/2005
JP	D1237631	4/2005
JP	D276267	7/2006
JP	D1276969	7/2006
JP	D1336425	7/2008

JP	D1336427	7/2008
JP	D1338147	8/2008
JP	D1338148	8/2008
JP	D1338150	8/2008
JP	D1342675	10/2008
JP	D1342858	10/2008
JP	D1352499	3/2009
JP	D1353747	3/2009
JP	D1357458	4/2009
JP	D1361822	6/2009
JP	D1377434	1/2010
JP	D1379002	2/2010
JP	D1341590	8/2010
JP	D1395044	8/2010
JP	D1404693	1/2011
JP	D1404694	1/2011
JP	D1410911	4/2011
JP	D1395045	8/2011
JP	D1443689	6/2012
KR	3020040015550	4/2005
MR	40009443	4/2001
WO	2007045834	4/2007
WO	2007045835	4/2007
WO	2008009872	1/2008
WO	2008119953	10/2008
WO	2008149064	12/2008
WO	2009060212	5/2009
WO	2009062553	5/2009
WO	2009151213	12/2009

OTHER PUBLICATIONS

Dartington Crystal (Torrington) Ltd, Dartington Curve Oval Vase, Item model No:VA2200 (Date first available at Amazon.co.uk: Dec. 1, 2007) http://www.amazon.co.uk/Dartington-Crystal-VA2200-Curve-Oval/dp/B004EIM88/ref=sr_1_42?ie=UTF8&s=kitchen&qid=12768842368&sr=8-42 accessed Jun. 18, 2010.

Blenko Glass Company, #4703-HA Vase 28" high, <http://www.blenkglass.com/store/catalog/product_info.php?cPath=23_31&products_id=1, accessed Jun. 21, 2010.

Zsolnay-Pécs, Vase, Glazed earthenware, polychrome enamels, and iridescent glazes (1996) The Art Institute of Chicago <<http://artic.edu/aic/collections/artwork/143586/print>> accessed.

Edward George Diers, The Rockwood Pottery Company, Vase (1990) Cincinatti Art Museum <<http://72.249.182.183/collection/results.do?id=7678&db=object&view=detail>> accessed Jun. 21, 2010.

Wholesale Duo Tone Modern Modern Vase, <http://www.wholesalmart.com/Wholesale-Duo-Tone-Modern-Vase-p/38377.htm> accessed Jun. 29, 2010.

Milano vase from LSA International (Available Mar. 2009).

Louis Comfort Tiffany, Tiffany Glass & Decorating Co., Cincinnati Art Museum <<http://72.249.182.183/collection/results.do?id=7011&db=object&view=detail>> accessed Jun. 21, 2010.

Personalized Large Sky Blue Ariana Vase, Personalized Engraved Gifts, <[http://www.personalized-engraved-gifts.com/images/scce/Sky . . .](http://www.personalized-engraved-gifts.com/images/scce/Sky...)> accessed Jun. 23, 2010.

Kosta Boda, Orchid ,http://www.glasboden.se/kostaboda?kosta_boda_orchid.php# accessed Jun. 18, 2010.

* cited by examiner

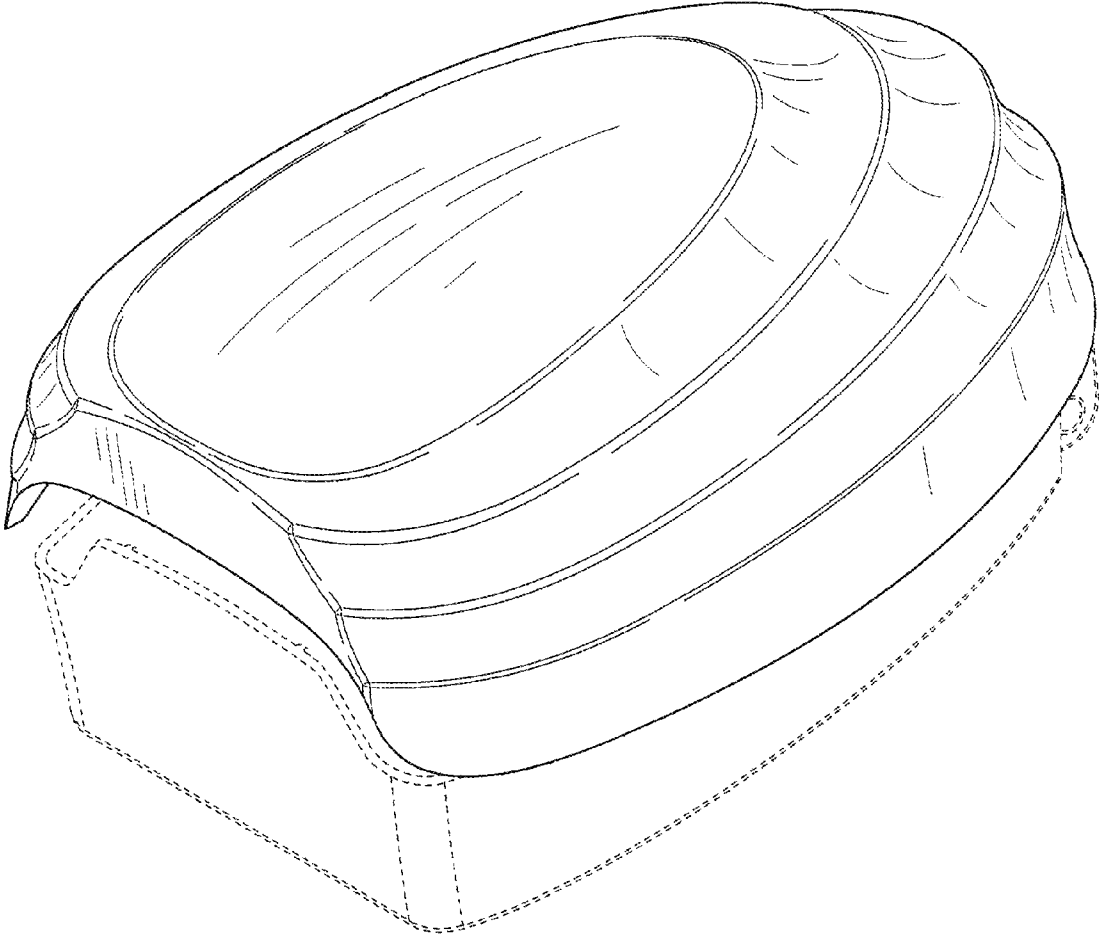


FIG. 1

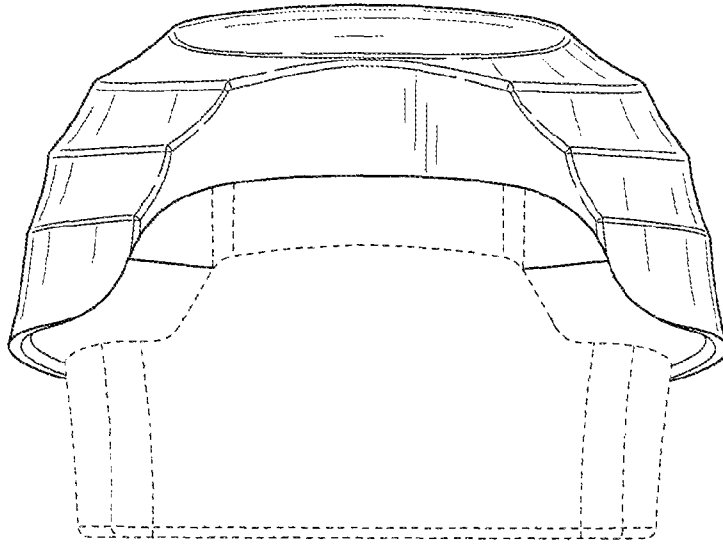


FIG. 2

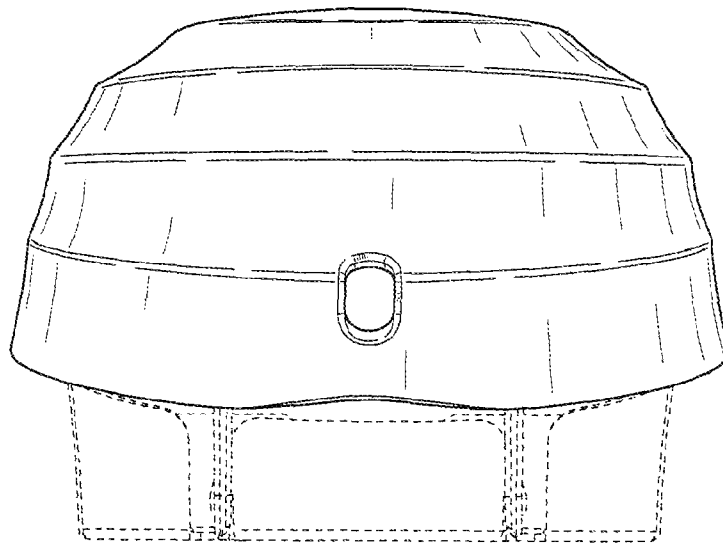


FIG. 3

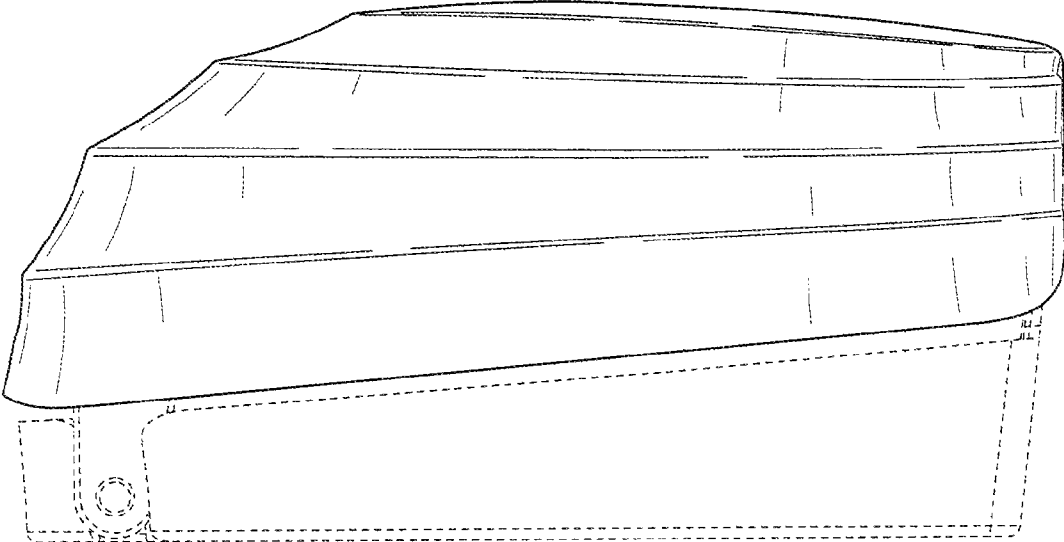


FIG. 4

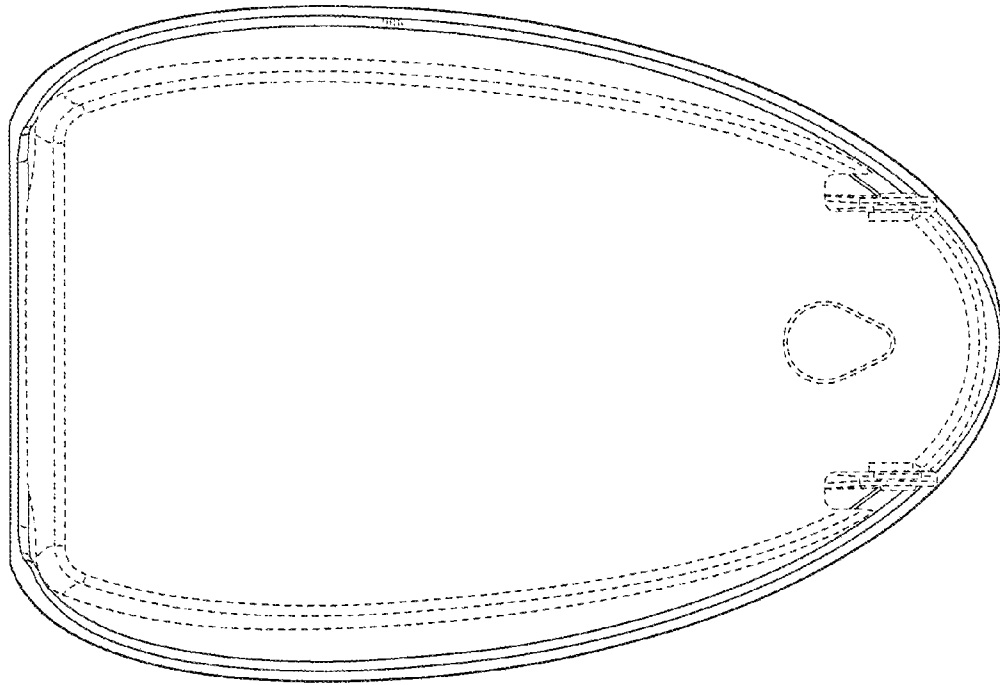


FIG. 6

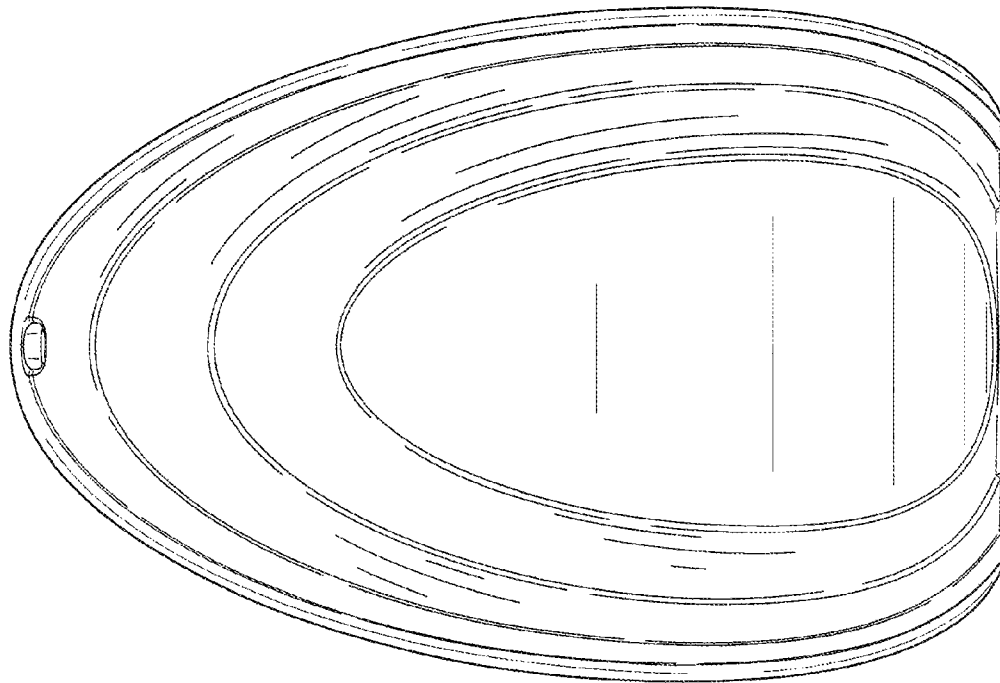


FIG. 5