

[54] LAMINATING APPARATUS

[75] Inventor: Myron W. Shaffer, Irving, Tex.

[73] Assignee: Thermo Seal, Inc., Fort Worth, Tex.

[**] Term: 14 Years

[21] Appl. No.: 700,603

[22] Filed: June 28, 1976

[51] Int. Cl. D15-99

[52] U.S. Cl. D15/146

[58] Field of Search D15/146, 145

[56] References Cited

U.S. PATENT DOCUMENTS

D. 201,392 6/1965 Cooper D15/146

D. 220,363 3/1971 Staats D15/146

D. 220,367 3/1971 Bley D15/146

Primary Examiner—Alan P. Douglas

Attorney, Agent, or Firm—Wm. T. Wofford

[57] CLAIM

The ornamental design for a laminating apparatus, as shown and described.

DESCRIPTION

FIG. 1 is a perspective view from the front of a laminating apparatus that embodies my new design.

FIG. 2 is a perspective view of said laminating apparatus from the rear.

FIG. 3 is a perspective view of said laminating apparatus from the bottom.

FIG. 4 is a top view of said laminating apparatus.

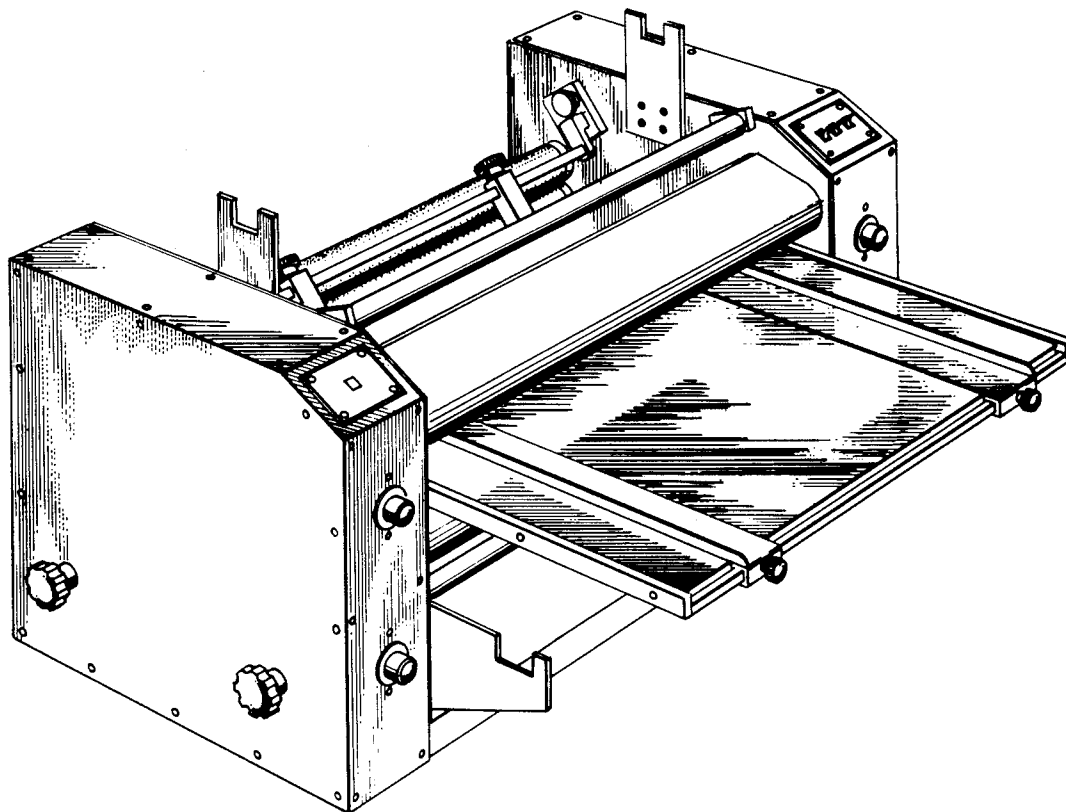
FIG. 5 is a bottom view of said laminating apparatus.

FIG. 6 is a side view seen from the right side as shown in FIG. 1 of said laminating apparatus.

FIG. 7 is a side view as seen from the left side as shown in FIG. 1 of said laminating apparatus.

FIG. 8 is a front view, reduced in scale, of said laminating apparatus.

FIG. 9 is a rear view reduced in scale, of said laminating apparatus.



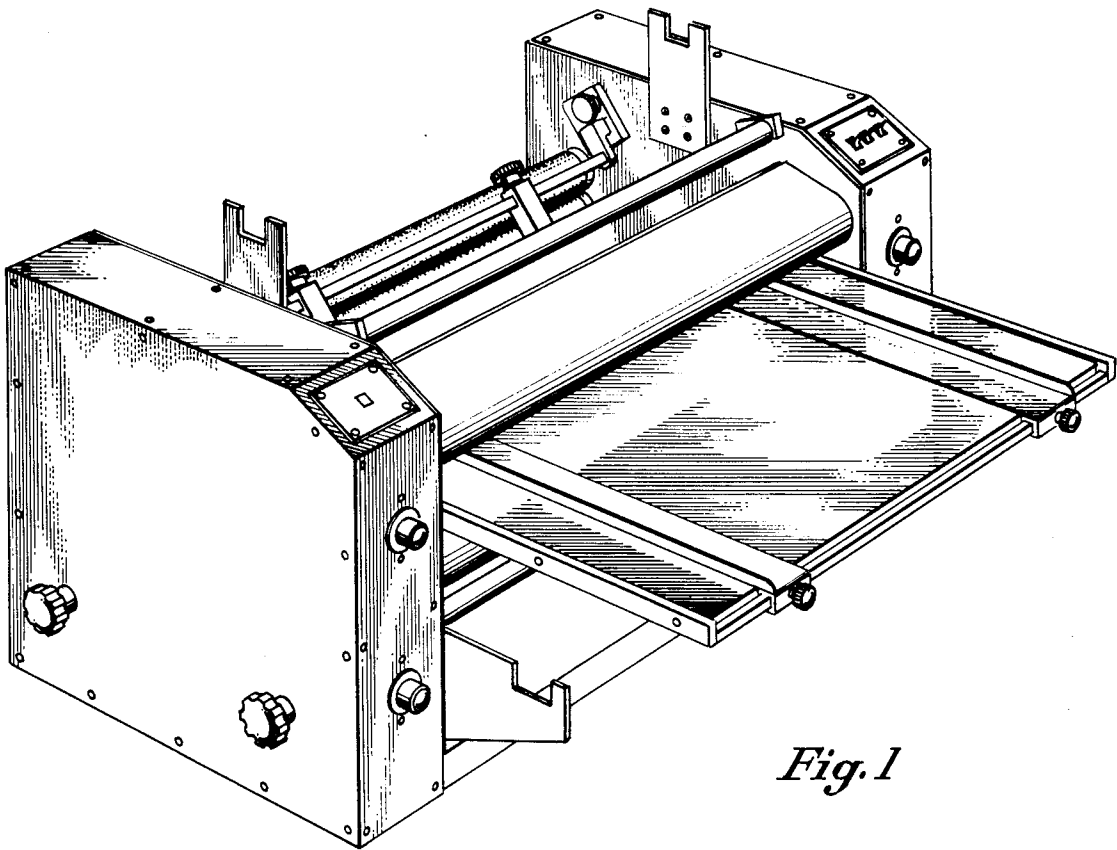


Fig. 1

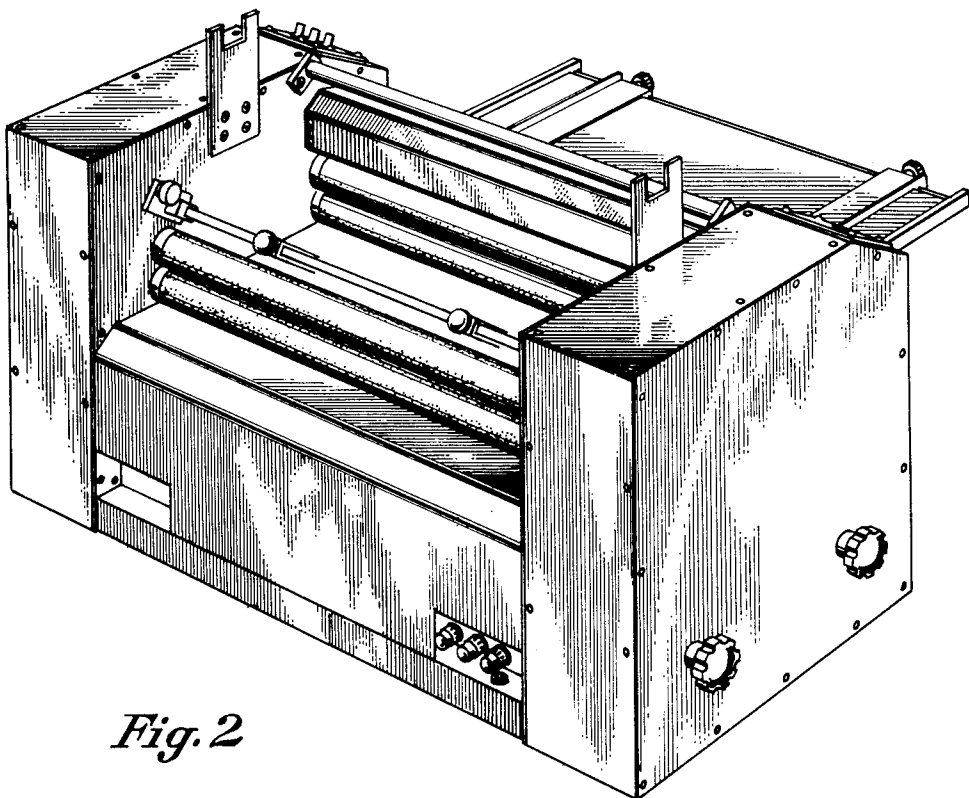


Fig. 2

Fig. 3

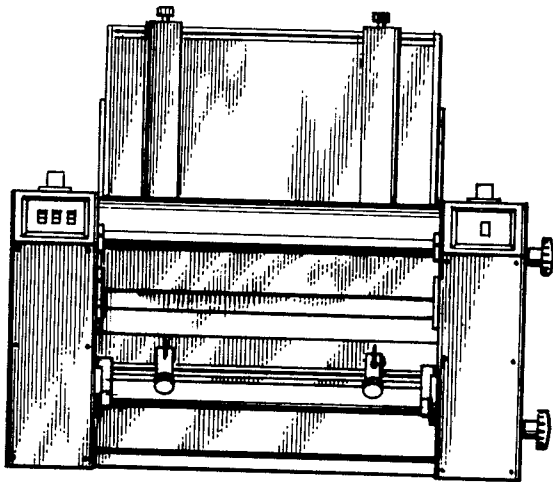
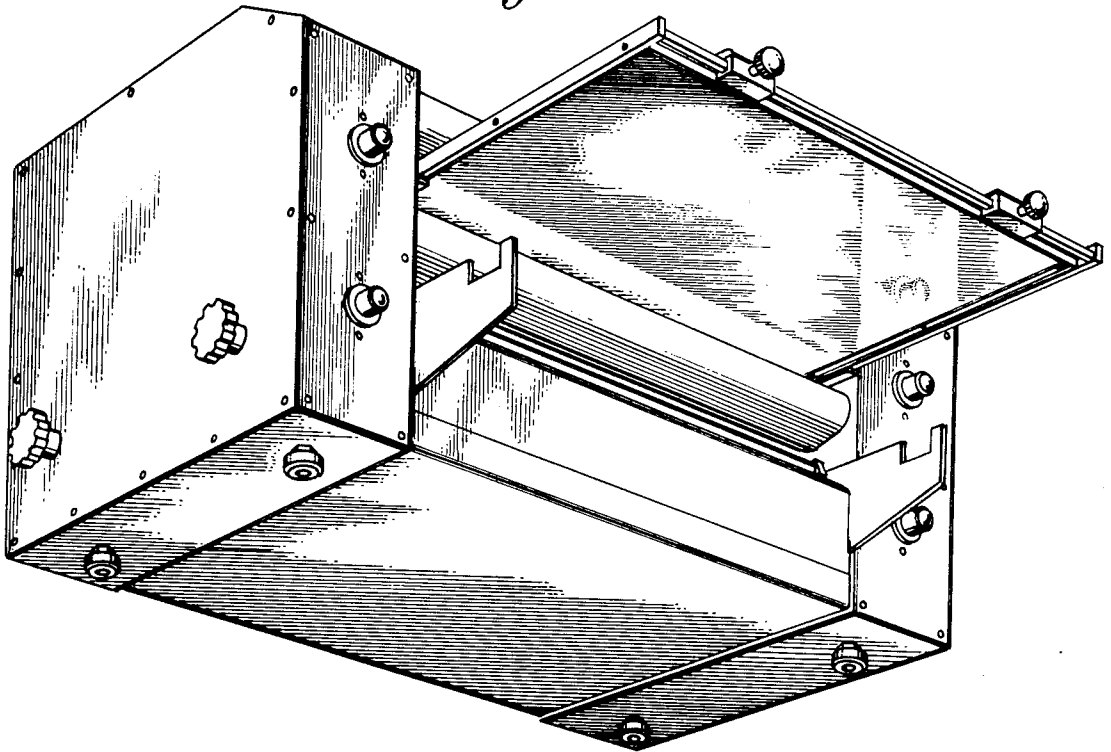


Fig. 4

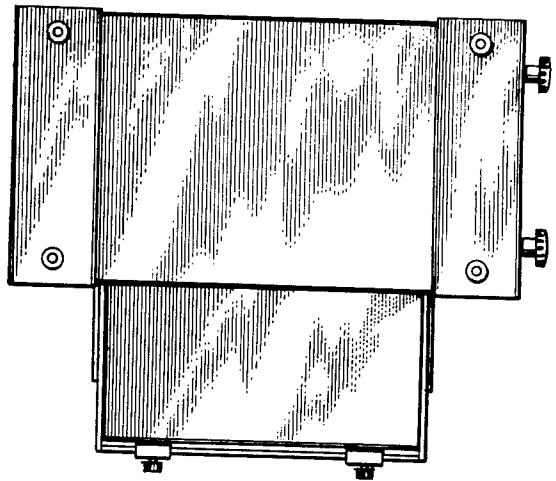


Fig. 5

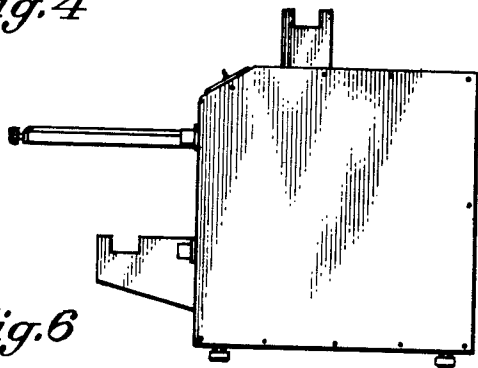


Fig. 6

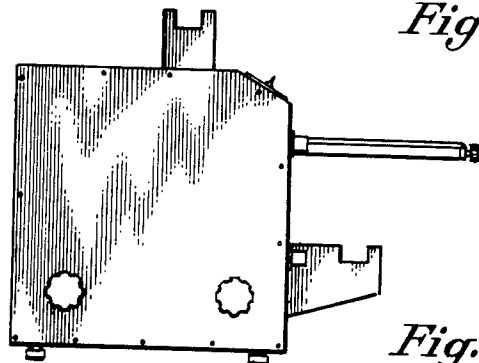


Fig. 7

Fig. 8

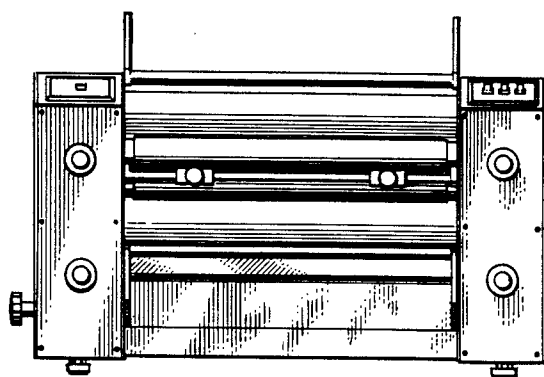


Fig. 9

