



US00D847314S

(12) **United States Design Patent** (10) **Patent No.:** **US D847,314 S**  
**Chiasson et al.** (45) **Date of Patent:** **\*\* Apr. 30, 2019**

(54) **AIR CONDITIONING UNIT**  
(71) Applicants: **Denis Chiasson, Repentingy (CA); Jonathan Ferland, L'Epiphanie (CA)**  
(72) Inventors: **Denis Chiasson, Repentingy (CA); Jonathan Ferland, L'Epiphanie (CA)**  
(\*\*) Term: **15 Years**  
(21) Appl. No.: **29/610,666**  
(22) Filed: **Jul. 14, 2017**  
(51) **LOC (11) Cl.** ..... **23-04**  
(52) **U.S. Cl.**  
USPC ..... **D23/351**  
(58) **Field of Classification Search**  
USPC ..... D23/333, 335, 341, 342, 351, 353, 354, D23/355, 356, 359, 364, 365, 370, 385, D23/386, 388, 393  
CPC .... F24F 1/00; F24F 1/0007; F24F 1/02; F24F 1/08; F24F 1/42; F24F 1/56; F24F 1/60; F24F 3/044; F24F 3/048; F24F 3/16; F24F 7/00; F24F 7/04; F24F 12/001; F24F 12/006  
See application file for complete search history.

5,187,945 A 2/1993 Dixon  
RE34,867 E \* 2/1995 Yamazaki ..... F24F 1/025 D23/333  
6,295,826 B1 10/2001 Lee  
6,345,512 B1 2/2002 Cosley et al.  
D547,849 S \* 7/2007 Francisquini ..... D23/351  
D558,317 S \* 12/2007 Francisquini ..... D23/351  
D558,867 S \* 1/2008 Chun ..... D23/333  
7,478,541 B2 1/2009 Manole et al.  
D616,081 S \* 5/2010 Chiu ..... D23/333  
D616,973 S \* 6/2010 Maegawa ..... D23/342  
8,117,864 B2 2/2012 Montminy et al.  
D660,947 S \* 5/2012 Varma ..... D23/333  
D725,758 S \* 3/2015 Kim ..... D23/333  
D739,927 S \* 9/2015 Presser ..... D23/332  
D746,426 S \* 12/2015 Zhao ..... D23/359  
D786,415 S \* 5/2017 Kim ..... D23/359  
D809,639 S \* 2/2018 Chiasson ..... D23/351  
2010/0031676 A1 2/2010 Urbain et al.

\* cited by examiner

*Primary Examiner* — Natasha Vujcic

(57) **CLAIM**  
The ornamental design for an air conditioning, unit as shown.

**DESCRIPTION**

FIG. 1 is an isometric view favoring the front of the air conditioning unit;  
FIG. 2 is an isometric view favoring the rear thereof;  
FIG. 3 is a rear elevational view thereof;  
FIG. 4 is a front elevational view thereof; and,  
FIG. 5 is a right side elevational view thereof.

**1 Claim, 5 Drawing Sheets**

(56) **References Cited**  
U.S. PATENT DOCUMENTS  
3,040,538 A 6/1962 Aising  
3,299,657 A 1/1967 Malkoff et al.  
3,320,765 A 5/1967 Chapple et al.  
3,777,506 A 12/1973 Hergatt et al.  
D278,847 S \* 5/1985 Hoyle ..... D23/351

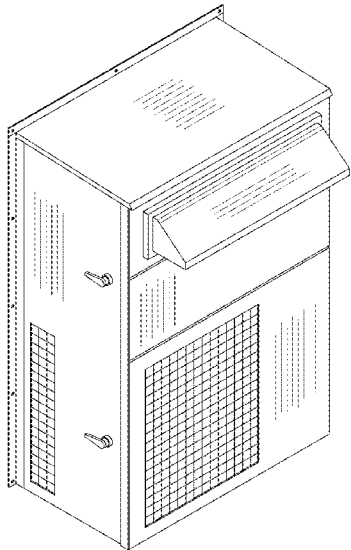


FIG. 1

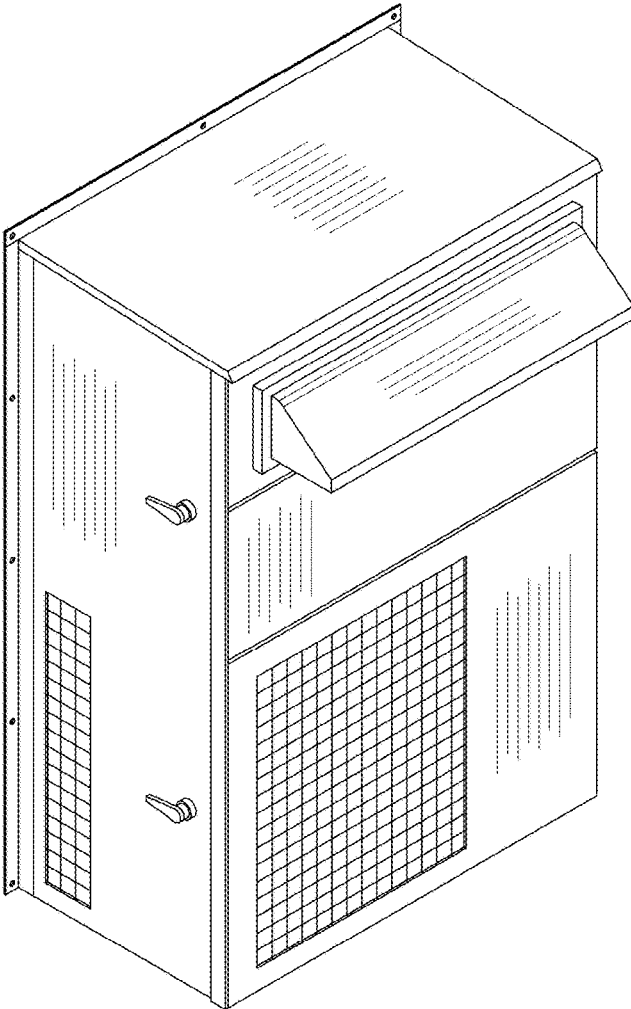


FIG. 2

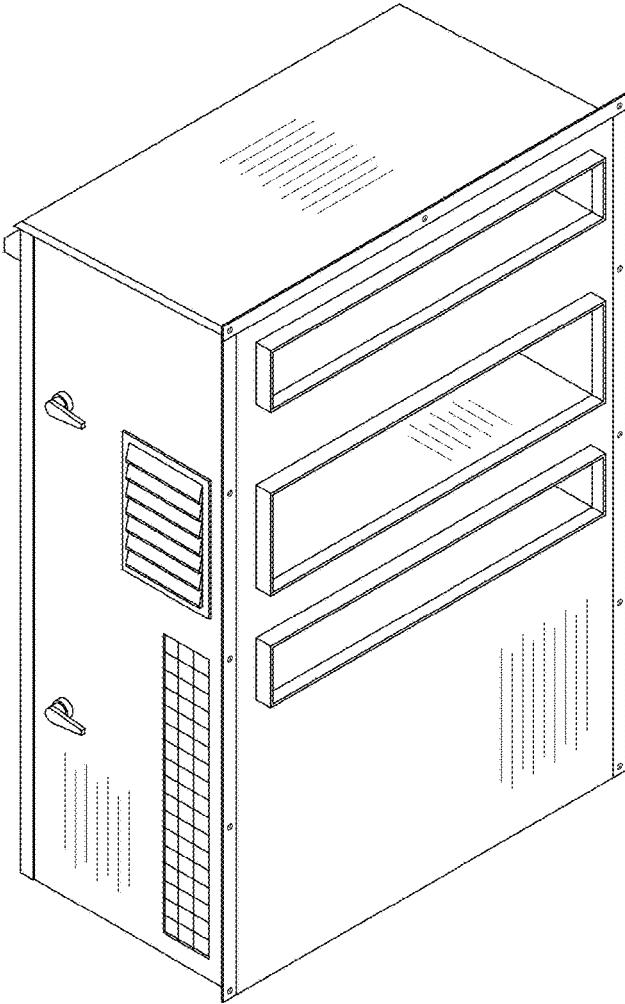


FIG. 3

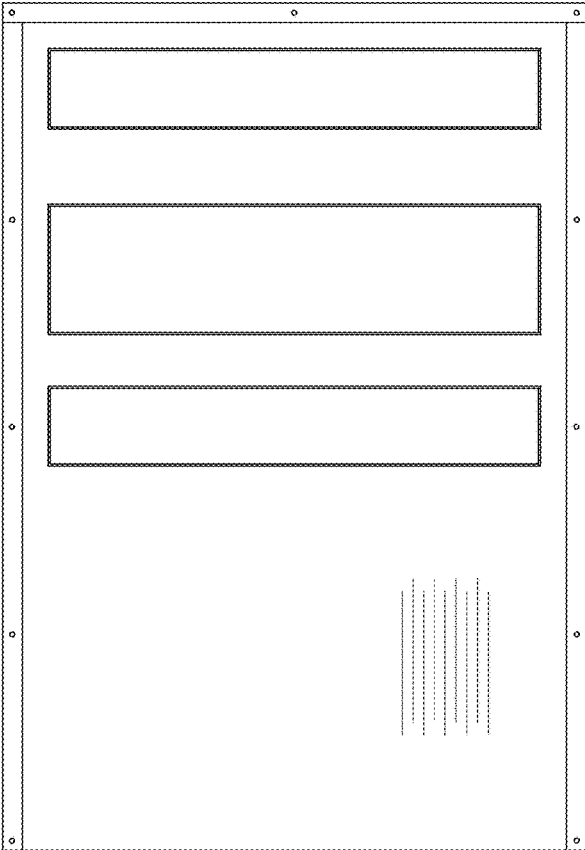


FIG. 4

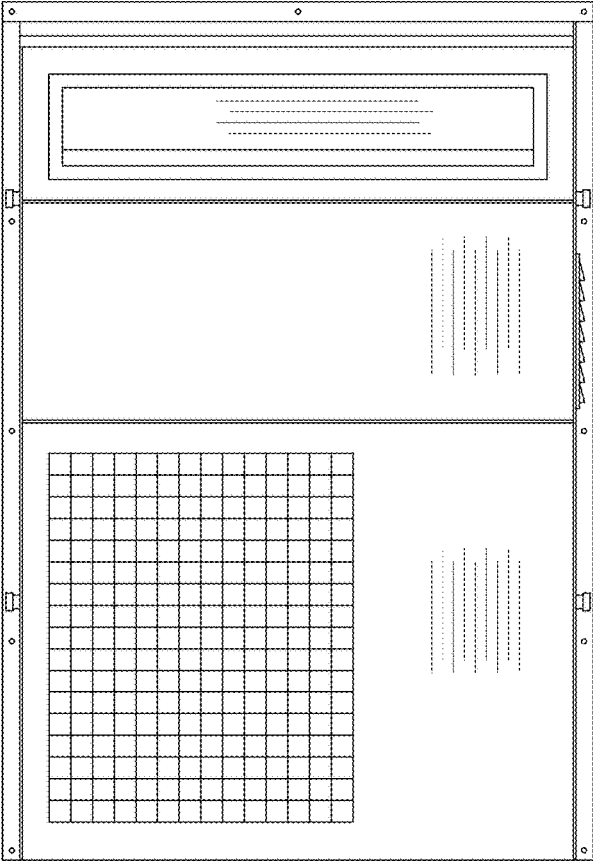


FIG. 5

