



US00D510409S

(12) **United States Design Patent**  
**Xiang et al.**

(10) **Patent No.:** **US D510,409 S**

(45) **Date of Patent:** **\*\* Oct. 4, 2005**

(54) **SHOWERHEAD**

D411,608 S \* 6/1999 Fan ..... D23/229  
D492,007 S \* 6/2004 Kollmann et al. .... D23/229

(75) Inventors: **Wang Xiang**, Taichung (TW); **Tan Wan-Hong**, Taichung (TW)

\* cited by examiner

(73) Assignee: **Globe Union Industrial Corp.**, Taichung (TW)

*Primary Examiner*—Robin V. Taylor  
(74) *Attorney, Agent, or Firm*—Troxell Law Office, PLLC

(\*\*) Term: **14 Years**

(57) **CLAIM**

(21) Appl. No.: **29/204,519**

The ornamental design for showerhead, as show and described.

(22) Filed: **Apr. 30, 2004**

**DESCRIPTION**

(51) **LOC (8) Cl.** ..... **23-01**

FIG. 1 is a top, left, front, perspective view of showerhead showing my new design;

(52) **U.S. Cl.** ..... **D23/229; D23/213**

FIG. 2 is a front elevational view thereof;

(58) **Field of Search** ..... **D23/213, 229, D23/230; 239/282, 283**

FIG. 3 is a rear elevational view thereof;

FIG. 4 is a left elevational view thereof;

FIG. 5 is a right elevational view thereof;

FIG. 6 is a top plan view thereof; and,

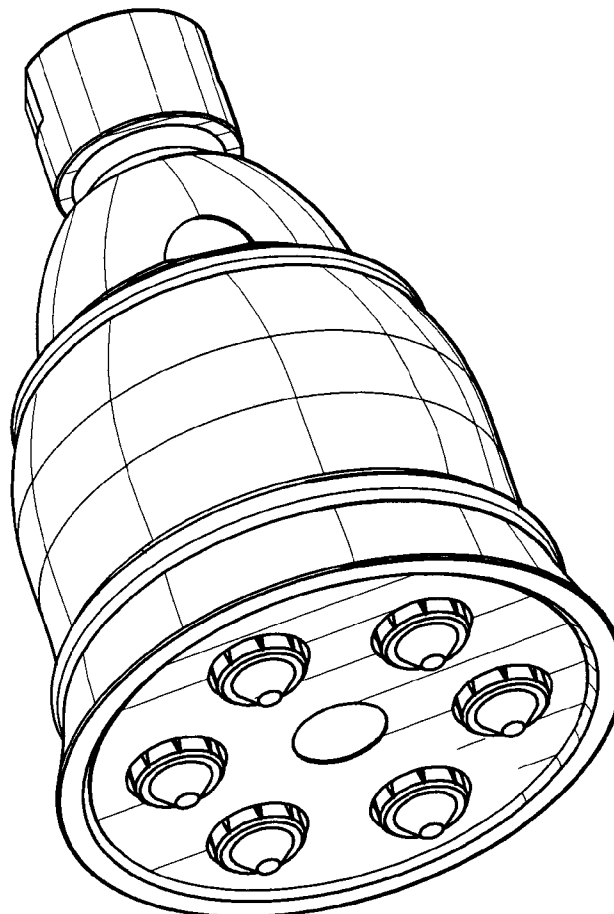
FIG. 7 is a bottom plan view thereof.

(56) **References Cited**

**U.S. PATENT DOCUMENTS**

D188,644 S \* 8/1960 Kohler ..... D23/229  
D290,497 S \* 6/1987 Huen ..... D23/229

**1 Claim, 4 Drawing Sheets**



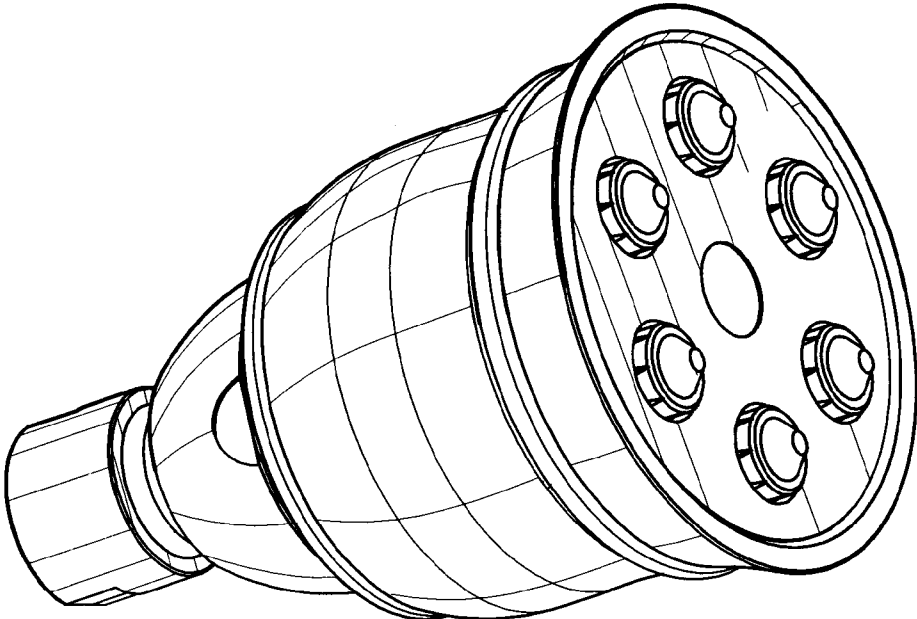


FIG. 1

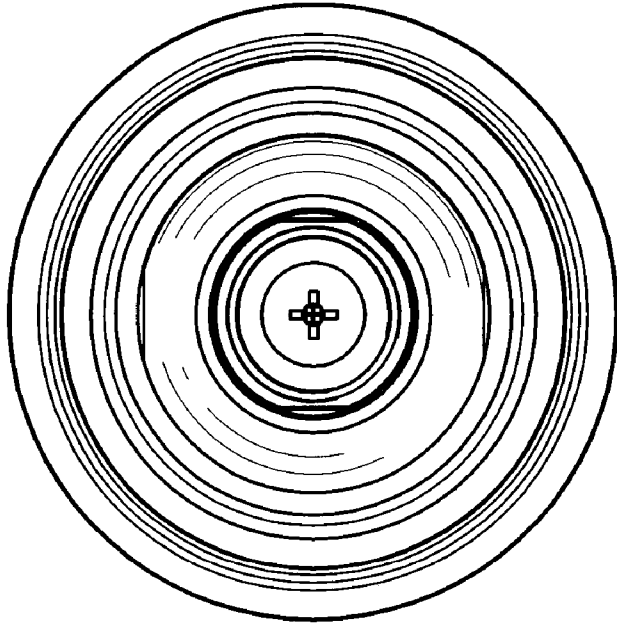


FIG. 3

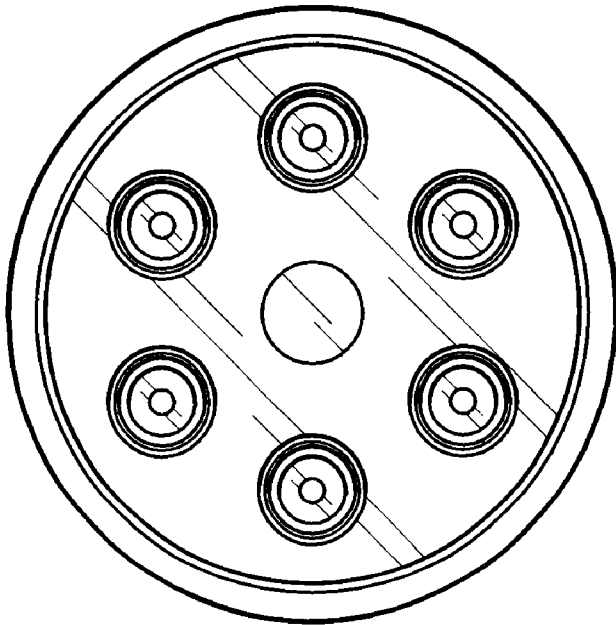


FIG. 2

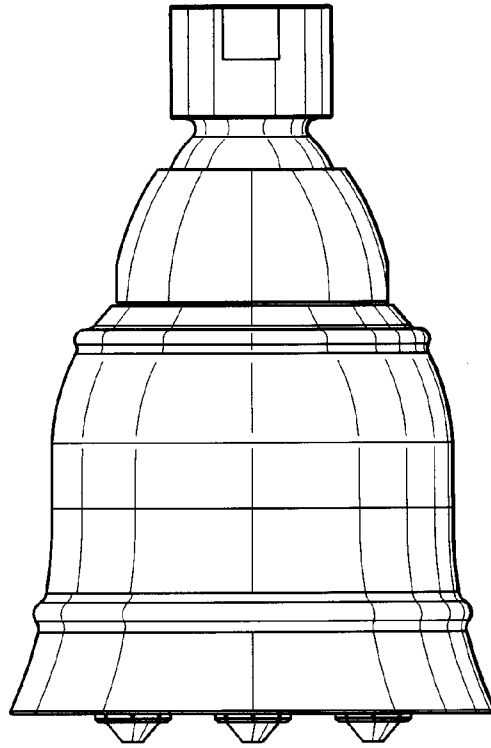


FIG. 5

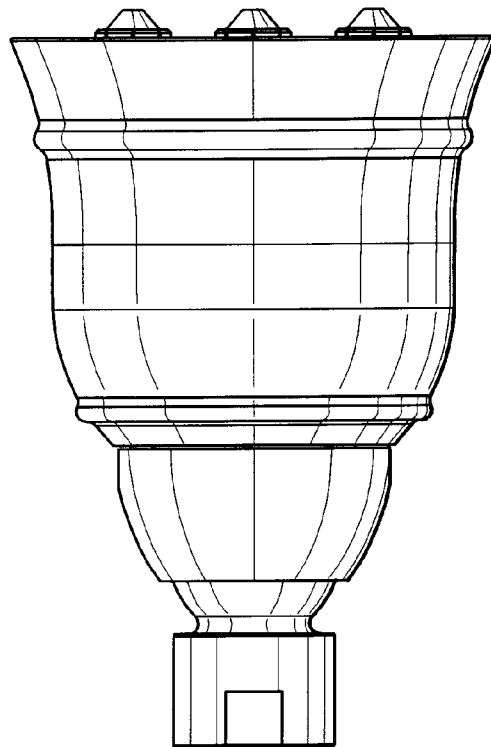


FIG. 4

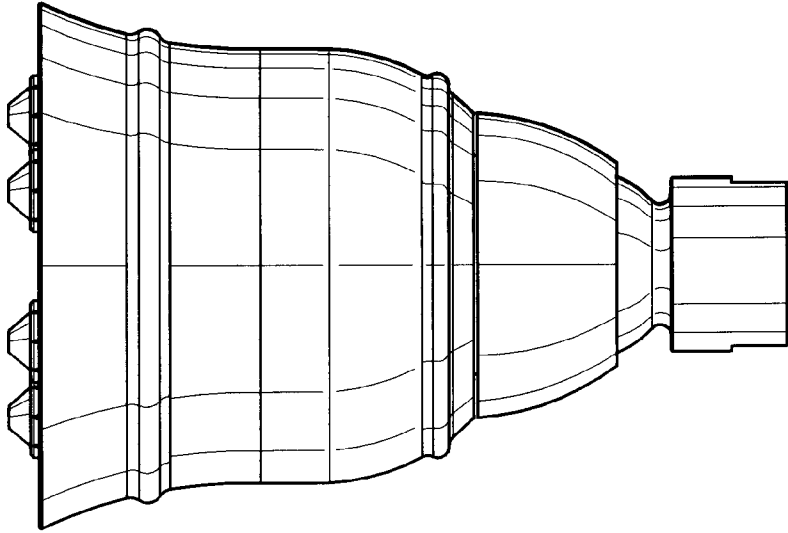


FIG. 7

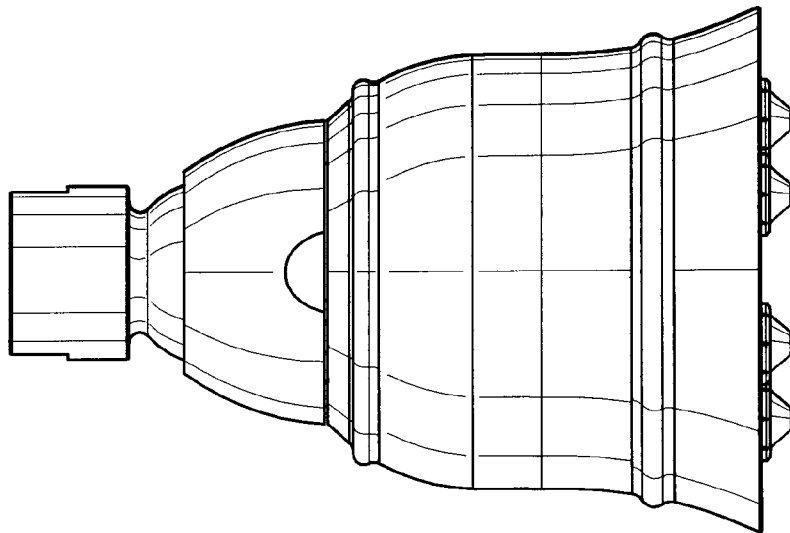


FIG. 6