



US00D968573S

(12) **United States Design Patent**
Barber et al.

(10) **Patent No.:** **US D968,573 S**

(45) **Date of Patent:** **** Nov. 1, 2022**

(54) **FAUCET**

D944,929 S * 3/2022 Park D23/242
D946,122 S * 3/2022 Park D23/242
D947,645 S * 4/2022 Noon D8/308

(71) Applicant: **HANSGROHE SE**, Schiltach (DE)

(72) Inventors: **Edward Barber**, London (GB); **Jay Osgerby**, London (GB)

(73) Assignee: **Hansgrohe SE**, Schiltach (DE)

(**) Term: **15 Years**

(21) Appl. No.: **29/771,843**

(22) Filed: **Feb. 25, 2021**

(30) **Foreign Application Priority Data**

Aug. 26, 2020 (EM) 008148662-0009

(51) **LOC (13) Cl.** **23-01**

(52) **U.S. Cl.**

USPC **D23/242**

(58) **Field of Classification Search**

USPC D23/238-244, 252, 254-255, 257, 499;
D7/398; D8/300, 307-308
CPC F16K 31/602; F16K 31/605; F16K 31/607;
E03C 1/0412
See application file for complete search history.

(56) **References Cited**

U.S. PATENT DOCUMENTS

D312,495 S * 11/1990 Joeger D23/242
D317,706 S * 6/1991 Boeri D8/308
D440,635 S * 4/2001 Fleischmann D23/242
D621,681 S * 8/2010 Roberts, III D8/308
D776,792 S * 1/2017 Neumayr D23/242
D823,439 S * 7/2018 Sieger D23/242
D859,592 S * 9/2019 Seum D23/242
D915,560 S * 4/2021 Eads D23/252
D923,150 S * 6/2021 Sieger D23/242
D944,620 S * 3/2022 Singtoroj D8/308

FOREIGN PATENT DOCUMENTS

CN 304807280 * 9/2018
CN 305270664 7/2019
DE 402014002513-0004 11/2015
EM 003064252-0006 4/2016

(Continued)

OTHER PUBLICATIONS

American Standard 7105801.002 Studio S Widespread Bathroom Faucet, first available Jan. 23, 2017[online], [site visited Jun. 10, 2022] . Available from internet, URL:<https://www.amazon.com/American-Standard-7105801-002-Widespre3d-Bathroom/dp/B075QBJT8C?th=1> (Year: 2017).*

(Continued)

Primary Examiner — David G Muller

Assistant Examiner — Jamaal Rasheed

(74) *Attorney, Agent, or Firm* — Lora J. Graentzdoerffer

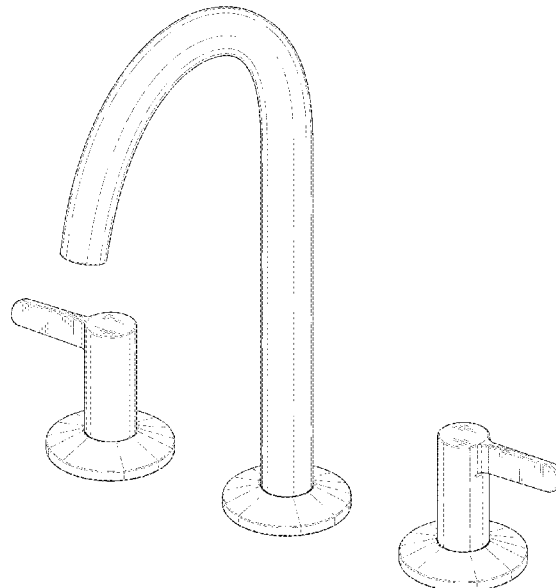
(57) **CLAIM**

The ornamental design for a faucet, as shown and described.

DESCRIPTION

FIG. 1 is a perspective view of a faucet showing our design; FIG. 2 is a front elevational view; FIG. 3 is a rear elevational view; FIG. 4 is a side elevational view; FIG. 5 is a side elevational view; FIG. 6 is a top plan view; and, FIG. 7 is a bottom plan view. The broken-line disclosures in the drawings represent portions of a faucet that form no part of the claimed design.

1 Claim, 7 Drawing Sheets



(56)

References Cited

FOREIGN PATENT DOCUMENTS

EM	003537588-0006	3/2017
EM	005888997-0003	1/2019
EM	006862116-0023	9/2019
GB	9005888997-0003	12/2018
GB	9006862116-0023	9/2019
IN	295080-0001	* 4/2018
WO	D069239-005	2/2008
WO	D083518-001	5/2014
WO	D208359-004	* 6/2020

OTHER PUBLICATIONS

Black Bathroom Faucet KPAIDA Bathroom Faucets , first available Nov. 20, 2021[online], [site visited Jun. 13, 2022]. Available from internet, URL:<<https://www.amazon.com/KPAIDA-Bathroom-Faucet-Faucets-Widespread/dp/B09M9QW8DR>> (Year: 2021).*

RKF Solid Brass Two Handle Widespread Bathroom Sink Faucet, first available Jul. 30, 2019[online], [site visited Jun. 15, 2022]. Available from internet, URL:<<https://www.amazon.com/dp/B07VX8DZGH>> (Year: 2019).*

* cited by examiner

FIG. 1

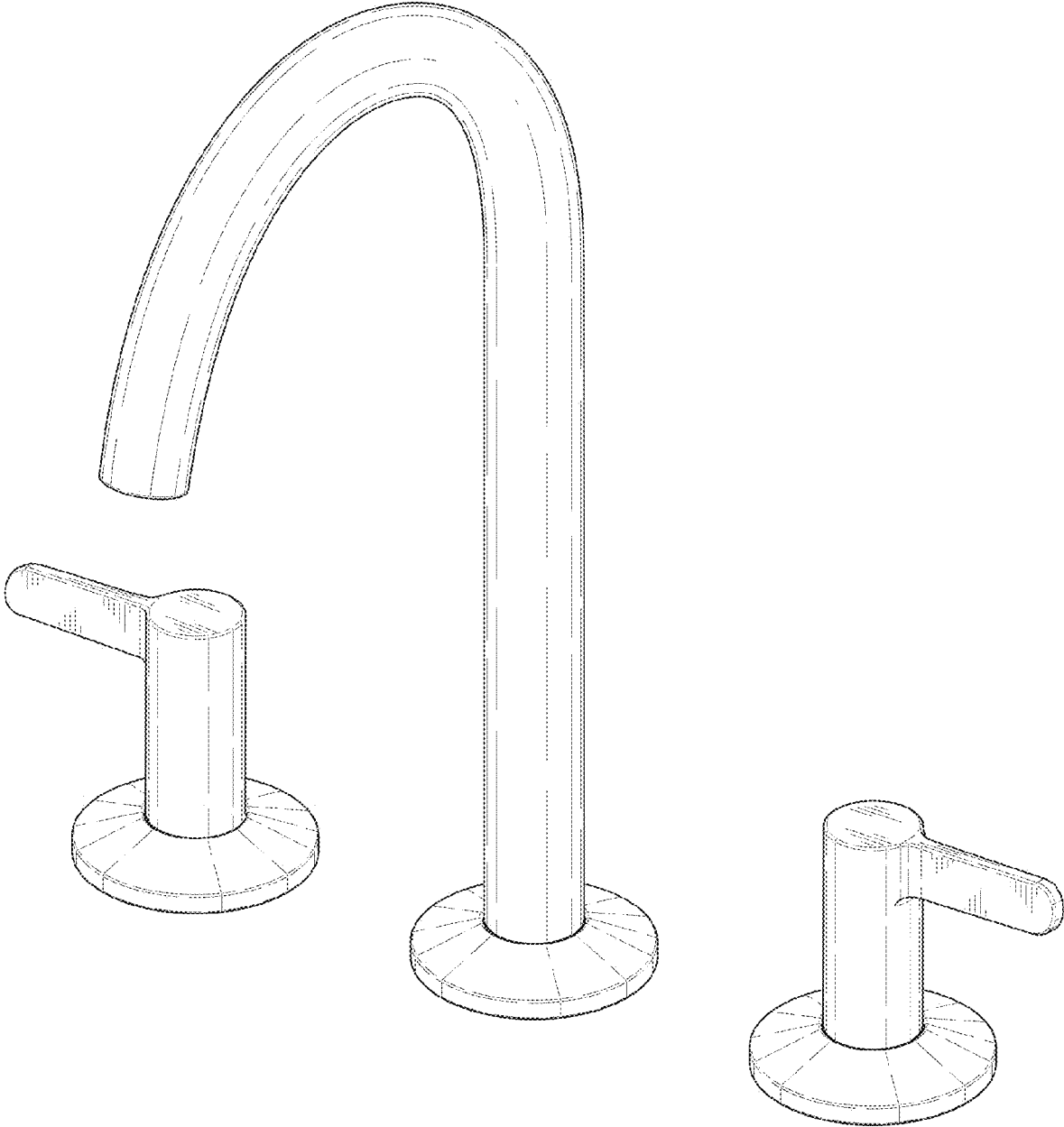


FIG. 2

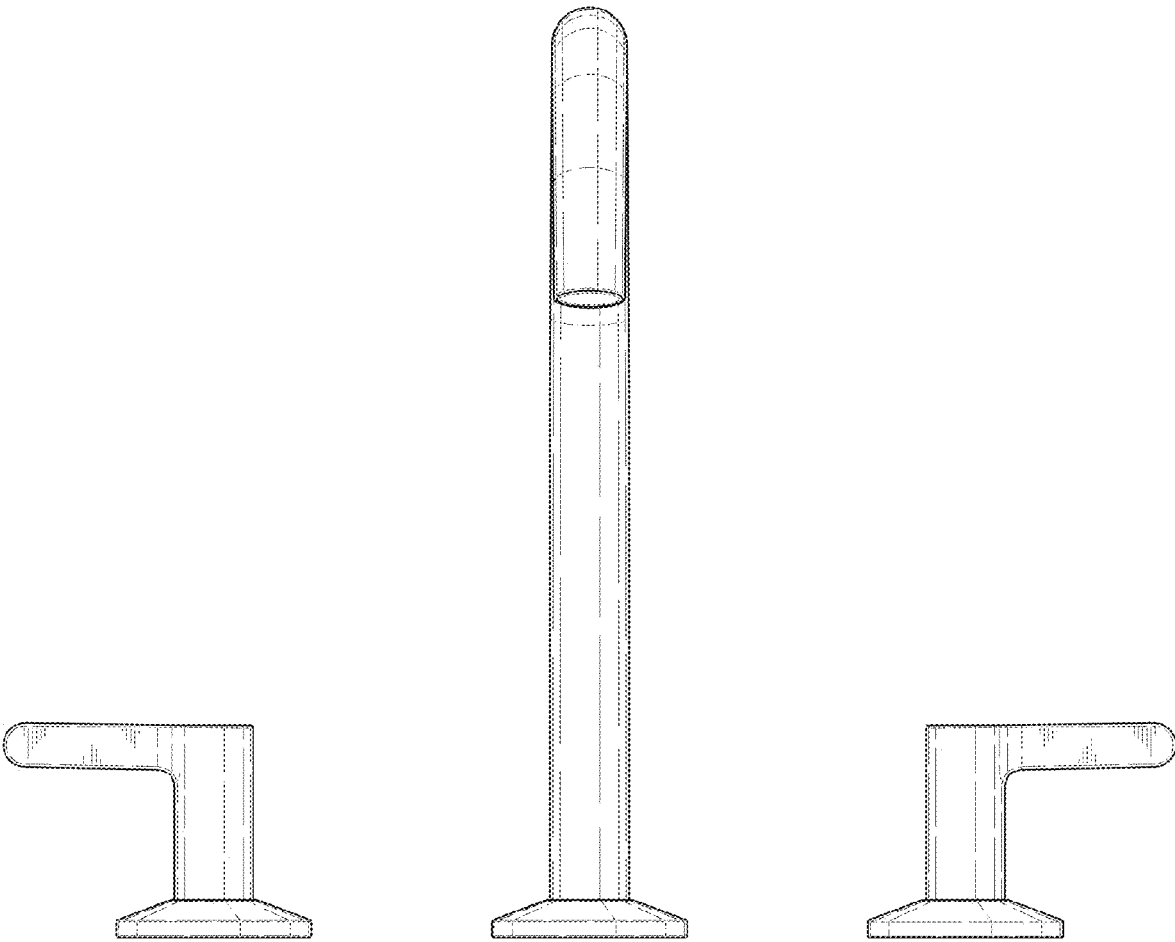


FIG. 3

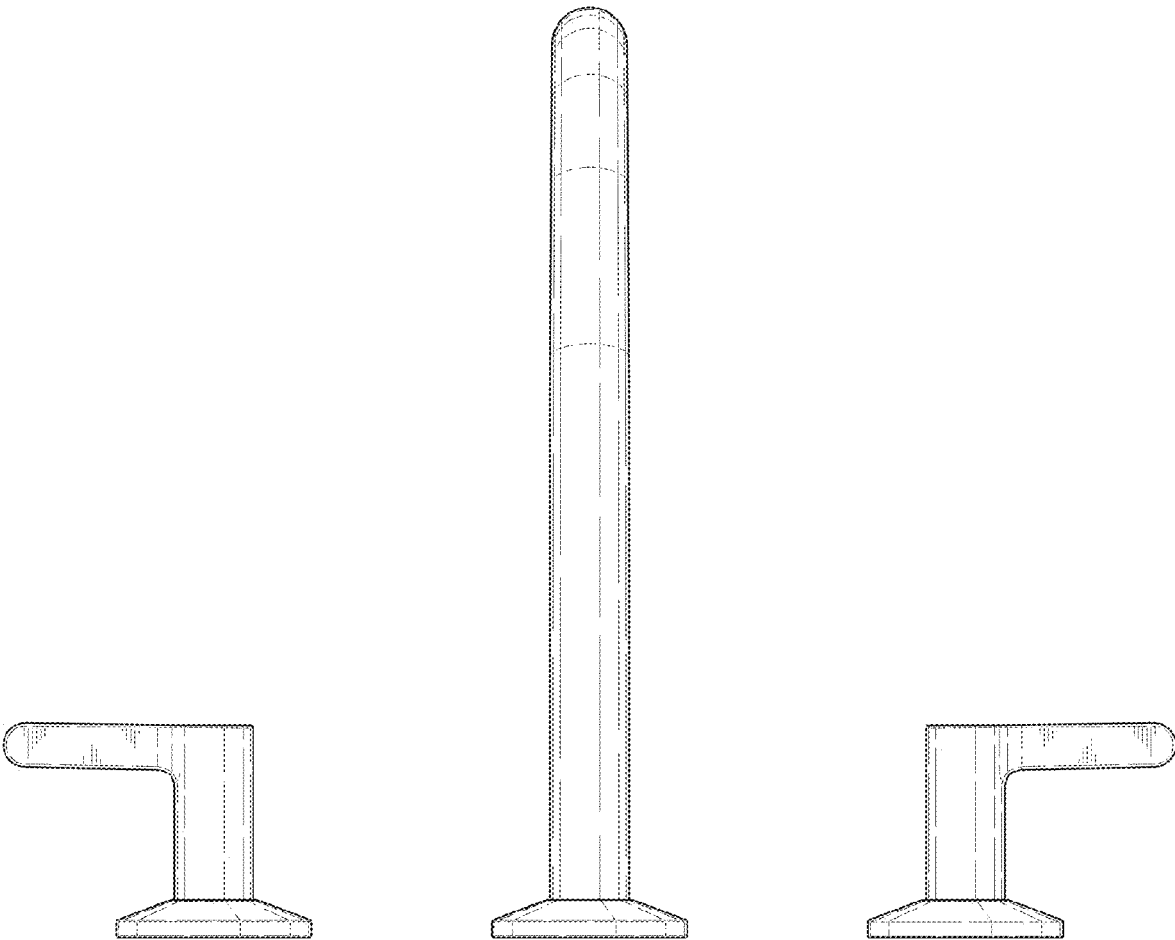


FIG. 4

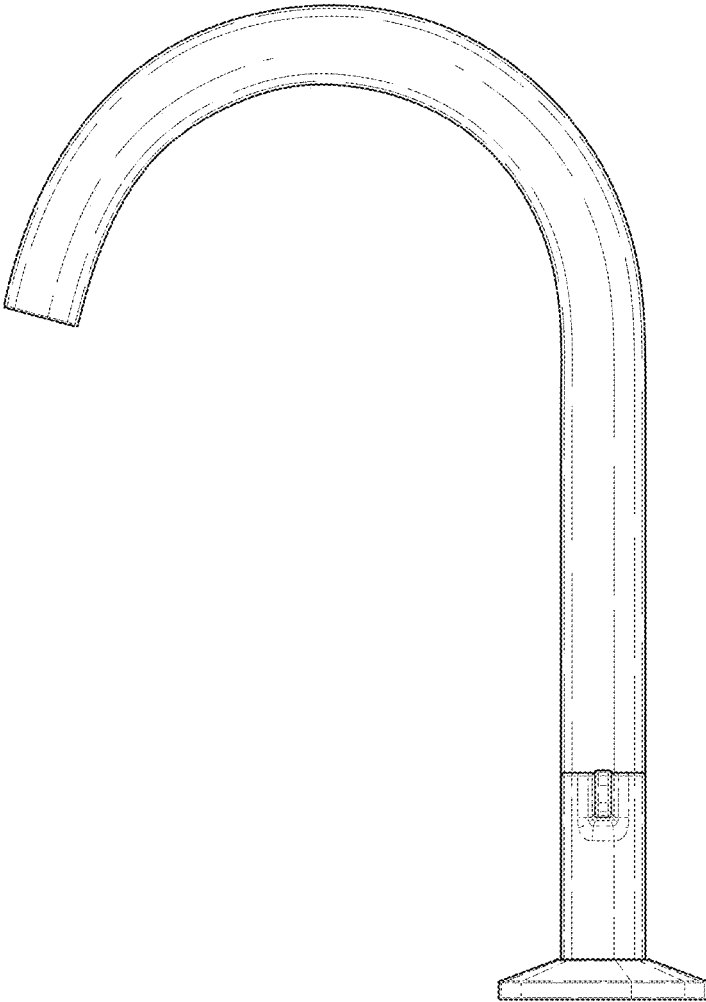


FIG. 5

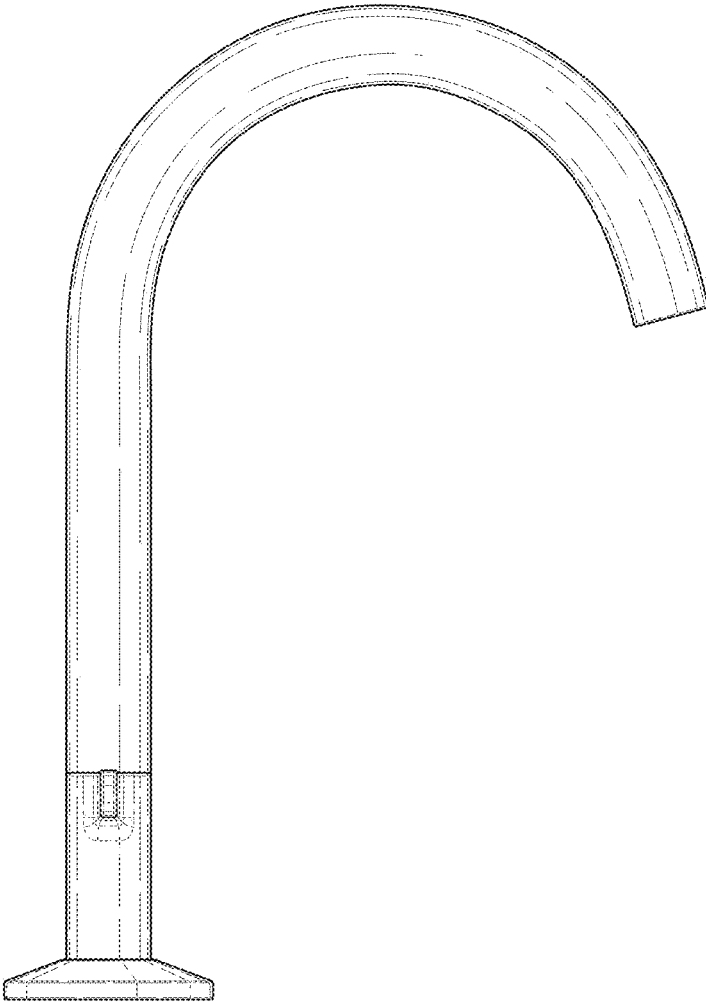


FIG. 6

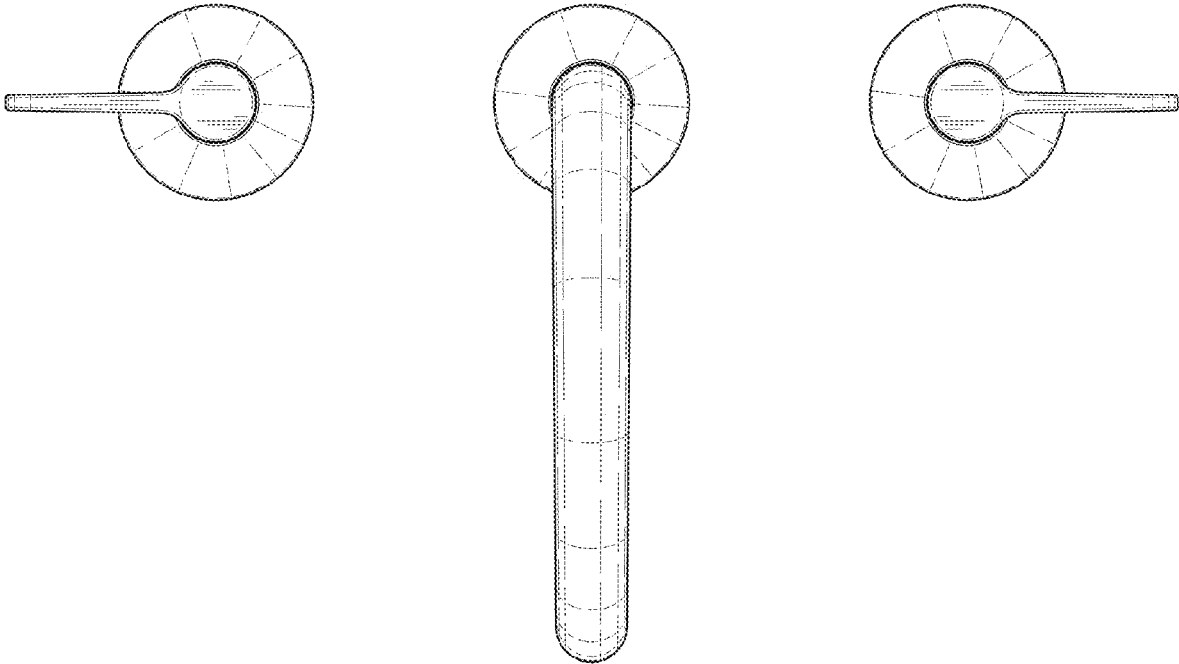


FIG. 7

